

MILA DINING CHAIR MILA-DCH-01-XX

Upholstered dining chair with wooden legs for indoor residential and commercial applications.

ENVIRONMENT:
Indoor

OVERALL DIMENSIONS:
D: 21 1/8" (537mm) x W: 22 3/8" (568mm) x H: 30 1/4" (770mm)

SEAT DIMENSIONS:
D: 18 1/2" (470 mm) x W: 18 5/8" (474mm) X H: 18" (457mm)

WEIGHT:
± 15 LBS (7 KG)

COUNTRY OF PRODUCTION:
Italy

CONSTRUCTION MATERIALS:
Wood & foam

PREASSEMBLED:
Yes

MADE-TO-ORDER:
With minimum quantities applicable, the back and seat can be upholstered in customer's own material and leathers from approved premium leather suppliers. For more details contact: info@alessandromunge.com

UPHOLSTERY



COM - COL

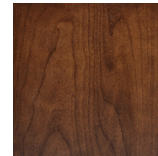
WOOD FINISHES



01 white



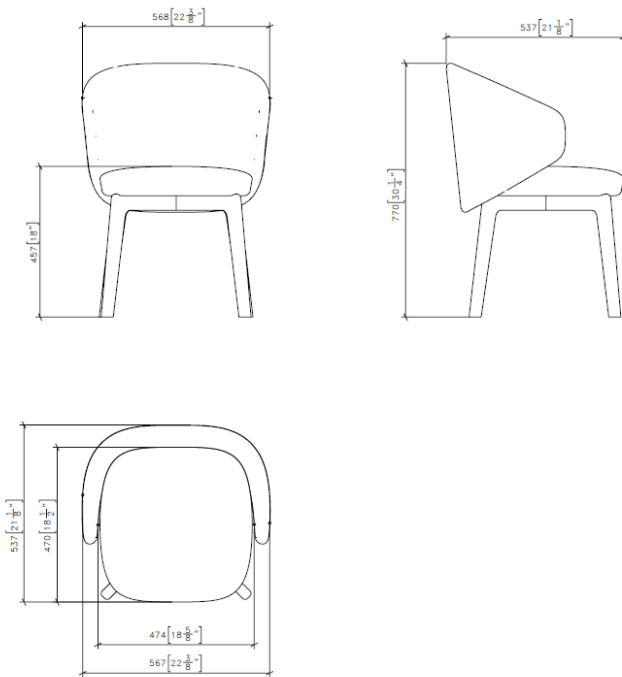
02 natural



03 walnut



04 ebony



**ALESSANDRO
MUNGE** SINCE 1970

* Specified finish may be different than that shown in image.