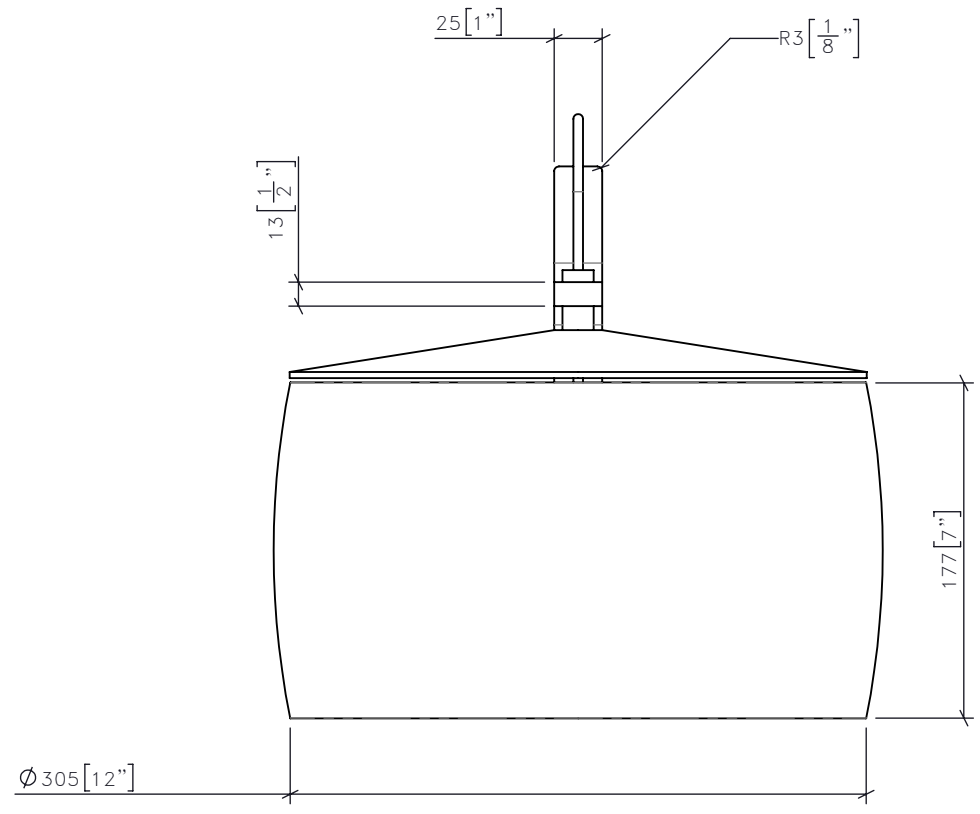


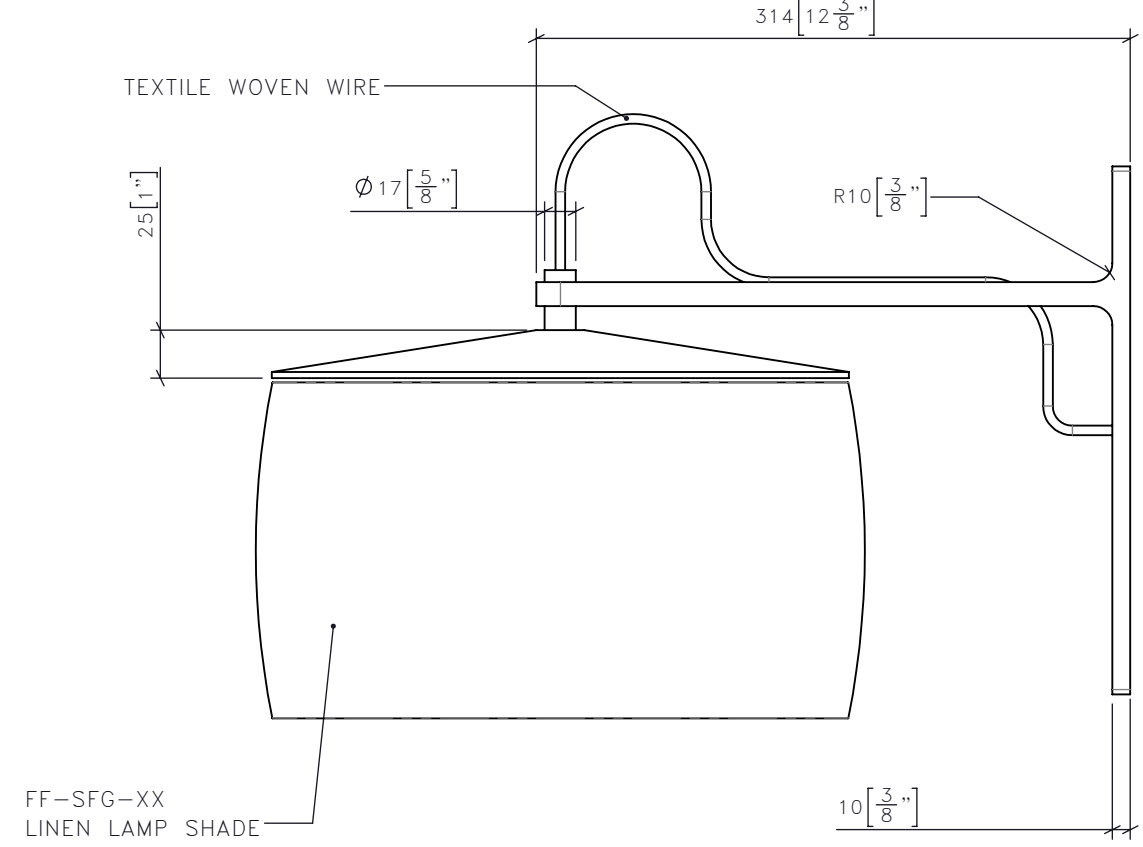
FOR DESIGN INTENT ONLY

DRAWING ARE NOT TO BE SCALED. CONTRACTOR MUST CHECK AND VERIFY ALL JOB DIMENSIONS, DRAWINGS, DETAILS AND SPECIFICATIONS; AND REPORT ANY DISCREPANCIES TO DESIGNER BEFORE PROCEEDING WITH WORK.

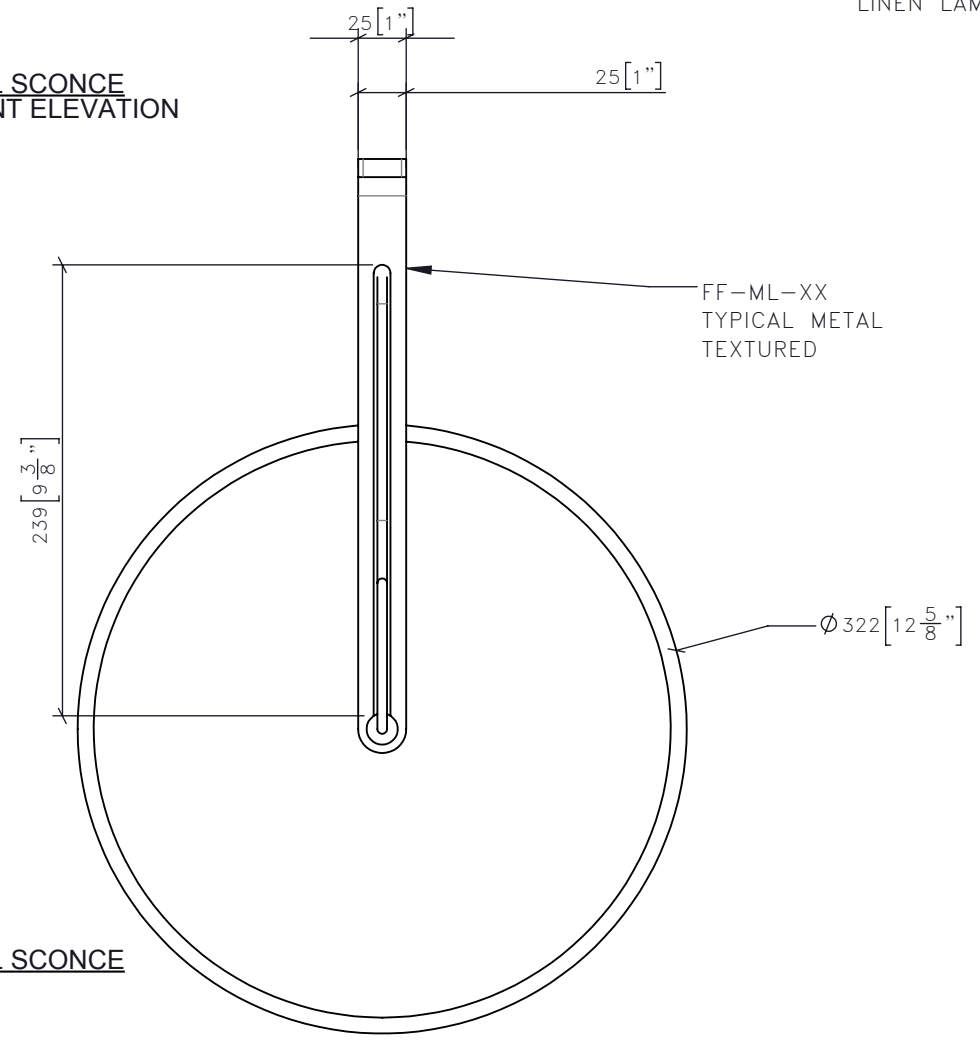
-REV/	-ISSUED FOR	-DATE



1 CG-XX
1:4 WALL SCONCE
FRONT ELEVATION



2 CG-XX
1:4 WALL SCONCE
SIDE ELEVATION



3 CG-XX
1:4 WALL SCONCE
PLAN

STUDIO MUNGE
25 WINGOLD AVENUE
TORONTO, ONTARIO
M6B 1P8 CANADA
416.588.1668
STUDIOMUNGE.COM

-SCALE
AS NOTED

-DATE
11/19/18

-DRAWN BY
RC

-CHECKED BY

-PROJECT NAME
SHANGRI-LA NANNING

-DRAWING TITLE
CG-XX
WALL SCONCE

-PROJECT NUMBER
16108

-DRAWING NUMBER
1 / 3

STUDIO MUNGE
E
F
D
C
B
A
Y

1 2 3 4 5 6

FOR DESIGN INTENT ONLY

DRAWING ARE NOT TO BE SCALED. CONTRACTOR MUST CHECK AND VERIFY ALL JOB DIMENSIONS, DRAWINGS, DETAILS AND SPECIFICATIONS; AND REPORT ANY DISCREPANCIES TO DESIGNER BEFORE PROCEEDING WITH WORK.

-REV/	-ISSUED FOR	-DATE



**STUDIO
MUNGE**
25 WINGOLD AVENUE
TORONTO, ONTARIO
M6B 1P8 CANADA
416.588.1668
STUDIOMUNGE.COM

-SCALE
AS NOTED

-DATE
11/19/18

-DRAWN BY
RC

-CHECKED BY

-PROJECT NAME
SHANGRI-LA NANNING

-DRAWING TITLE
CG-XX
WALL SCONCE

-PROJECT NUMBER
16108

-DRAWING NUMBER
2 / 3

4 | CG-XX | WALL SCONCE
1:3 | RENDERED VIEW

1 2 3 4 5 6

STUDIO MUNGE
E
F
D
C
B
A
Y

FOR DESIGN INTENT ONLY

DRAWING ARE NOT TO BE SCALED. CONTRACTOR MUST CHECK AND VERIFY ALL JOB DIMENSIONS, DRAWINGS, DETAILS AND SPECIFICATIONS; AND REPORT ANY DISCREPANCIES TO DESIGNER BEFORE PROCEEDING WITH WORK.

-REV/	-ISSUED FOR	-DATE



**STUDIO
MUNGE**
25 WINGOLD AVENUE
TORONTO, ONTARIO
M6B 1P8 CANADA
416.588.1668
STUDIOMUNGE.COM

-SCALE
AS NOTED

-DATE
11/19/18

-DRAWN BY
RC

-CHECKED BY

-PROJECT NAME

SHANGRI-LA NANNING

-DRAWING TITLE

CG-XX
WALL SCONCE

-PROJECT NUMBER
16108

-DRAWING NUMBER
3 / 3

4 | CG-XX | WALL SCONCE
1:3 | RENDERED VIEW