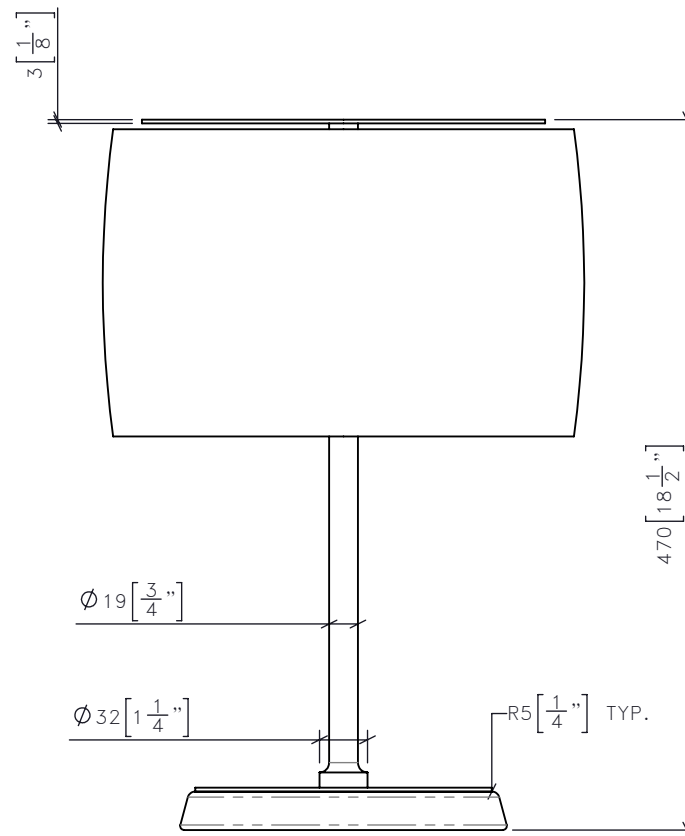
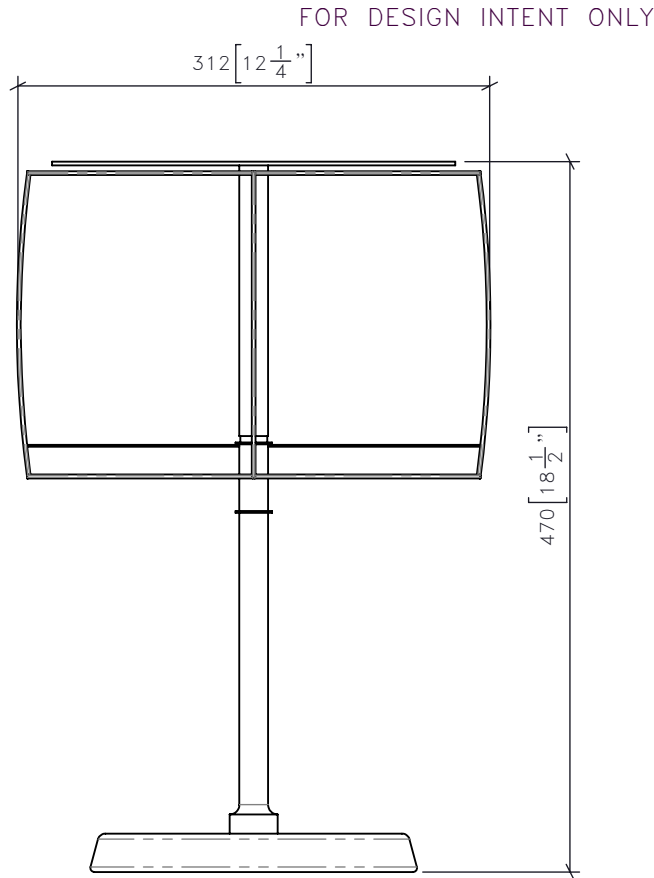


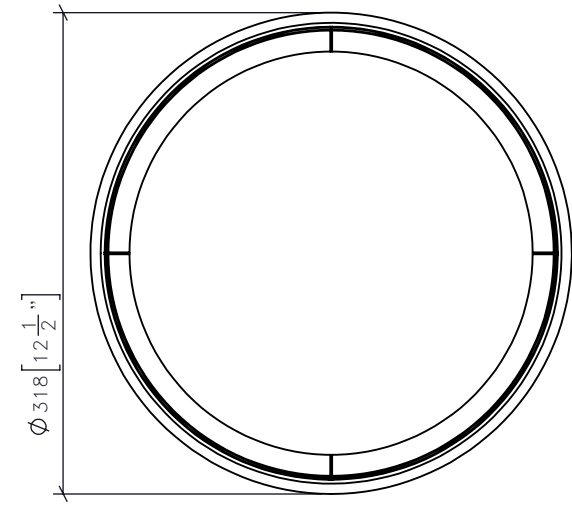
1 CG-XX
1:5 DESK LAMP
FRONT ELEVATION



3 CG-XX
1:5 DESK LAMP
SIDE ELEVATION



4 CG-XX
1:5 DESK LAMP
FRONT ELEVATION - NO SHADE



2 CG-XX
1:5 DESK LAMP
PLAN

DRAWING ARE NOT TO BE SCALED. CONTRACTOR MUST CHECK AND VERIFY ALL JOB DIMENSIONS, DRAWINGS, DETAILS AND SPECIFICATIONS; AND REPORT ANY DISCREPANCIES TO DESIGNER BEFORE PROCEEDING WITH WORK.

| -REV/ | -ISSUED FOR | -DATE |
|-------|-------------|-------|
| | | |

STUDIO MUNGE
25 WINGOLD AVENUE
TORONTO, ONTARIO
M6B 1P8 CANADA
416.588.1668
STUDIOMUNGE.COM

-SCALE AS NOTED
-DATE 11/30/18

-DRAWN BY RC
-CHECKED BY

-PROJECT NAME
SHANGRI-LA NANNING

-DRAWING TITLE
CG-XX
DESK LAMP

-PROJECT NUMBER
16108

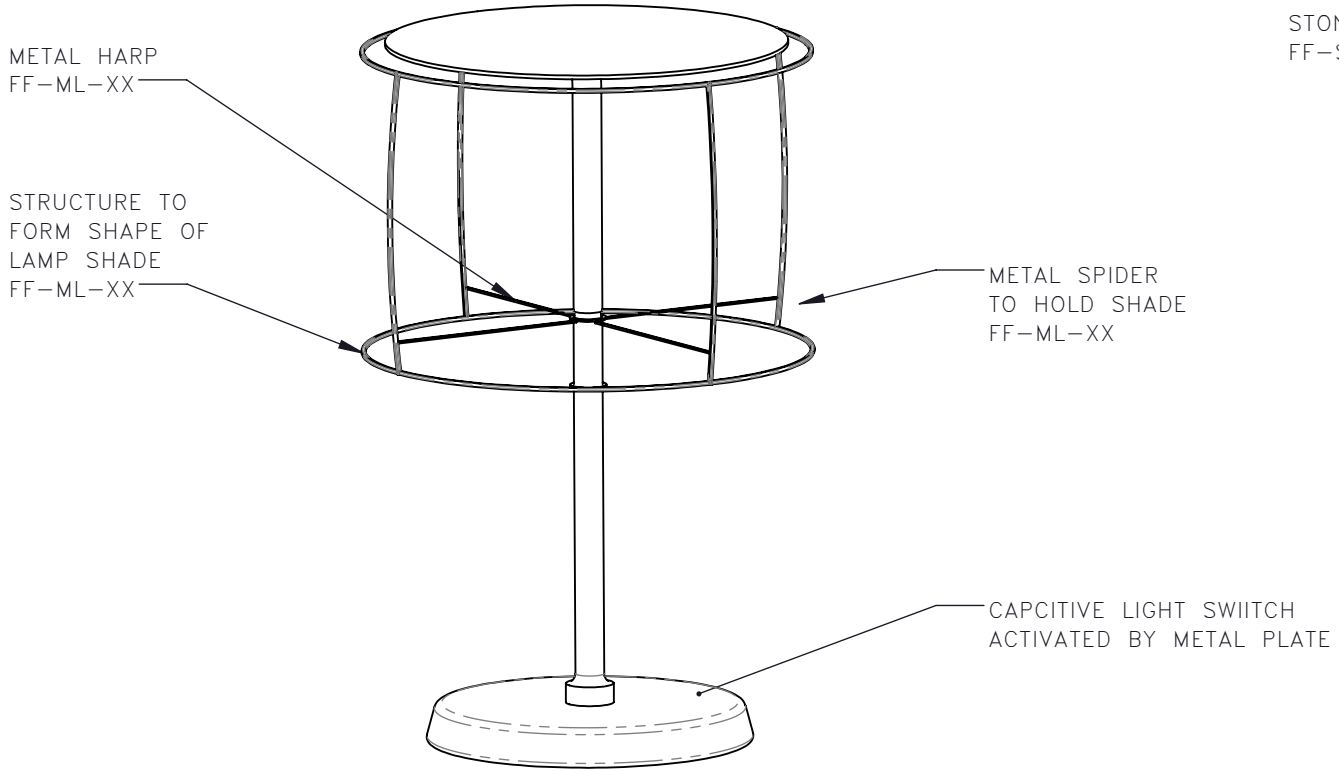
-DRAWING NUMBER
1 / 3

STUDIO MUNGE

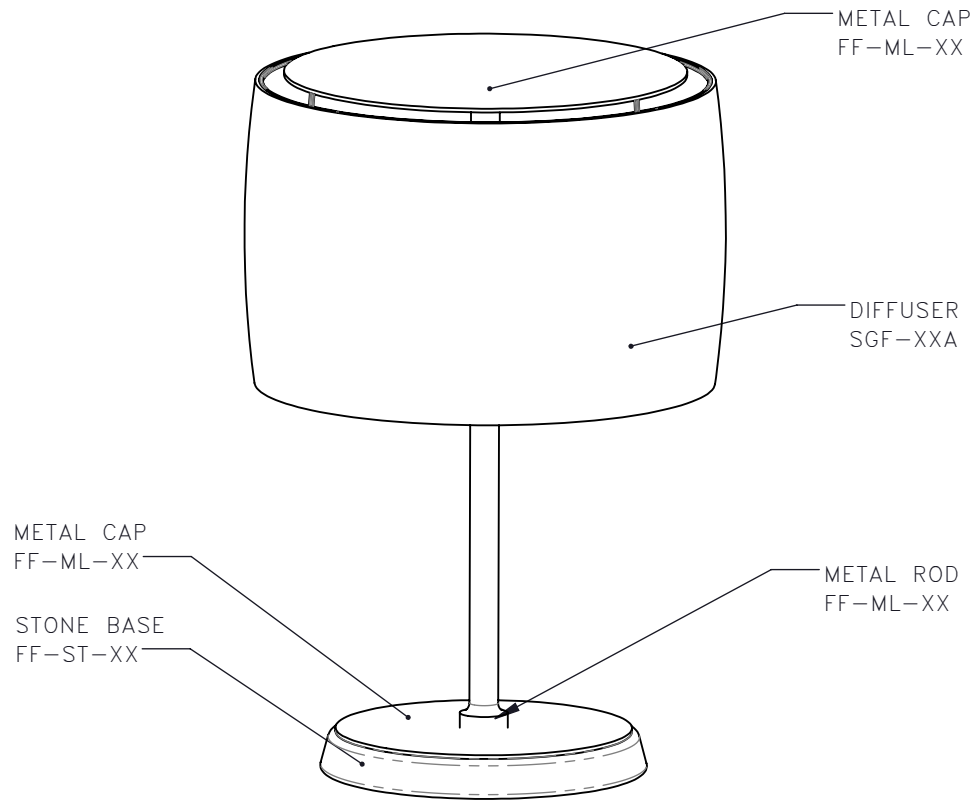
FOR DESIGN INTENT ONLY

DRAWING ARE NOT TO BE SCALED. CONTRACTOR MUST CHECK AND VERIFY ALL JOB DIMENSIONS, DRAWINGS, DETAILS AND SPECIFICATIONS; AND REPORT ANY DISCREPANCIES TO DESIGNER BEFORE PROCEEDING WITH WORK.

| -REV/ | -ISSUED FOR | -DATE |
|-------|-------------|-------|
| | | |



5 | CG-XX | 1:5 | DESK LAMP ISOMETRIC FRONT - NO SHADE



6 | CG-XX | 1:5 | DESK LAMP ISOMETRIC FRONT

STUDIO MUNGE
 25 WINGOLD AVENUE
 TORONTO, ONTARIO
 M6B 1P8 CANADA
 416.588.1668
 STUDIOMUNGE.COM

| | |
|---|--------------------------|
| -SCALE AS NOTED | -DATE 11/30/18 |
| -DRAWN BY RC | -CHECKED BY |
| -PROJECT NAME SHANGRI-LA NANNING | |
| -DRAWING TITLE CG-XX DESK LAMP | |
| -PROJECT NUMBER 16108 | |
| -DRAWING NUMBER 2 / 3 | |

STUDIO MUNGE
E
F
D
C
B
A
Y

1 2 3 4 5 6

FOR DESIGN INTENT ONLY

DRAWING ARE NOT TO BE SCALED. CONTRACTOR MUST CHECK AND VERIFY ALL JOB DIMENSIONS, DRAWINGS, DETAILS AND SPECIFICATIONS; AND REPORT ANY DISCREPANCIES TO DESIGNER BEFORE PROCEEDING WITH WORK.

| -REV/ | -ISSUED FOR | -DATE |
|-------|-------------|-------|
| | | |



**STUDIO
MUNGE**
25 WINGOLD AVENUE
TORONTO, ONTARIO
M6B 1P8 CANADA
416.588.1668
STUDIOMUNGE.COM

-SCALE
AS NOTED

-DATE
11/30/18

-DRAWN BY
RC

-CHECKED BY

-PROJECT NAME
SHANGRI-LA NANNING

-DRAWING TITLE
CG-XX
DESK LAMP

-PROJECT NUMBER
16108

-DRAWING NUMBER
3 / 3

1 2 3 4 5 6