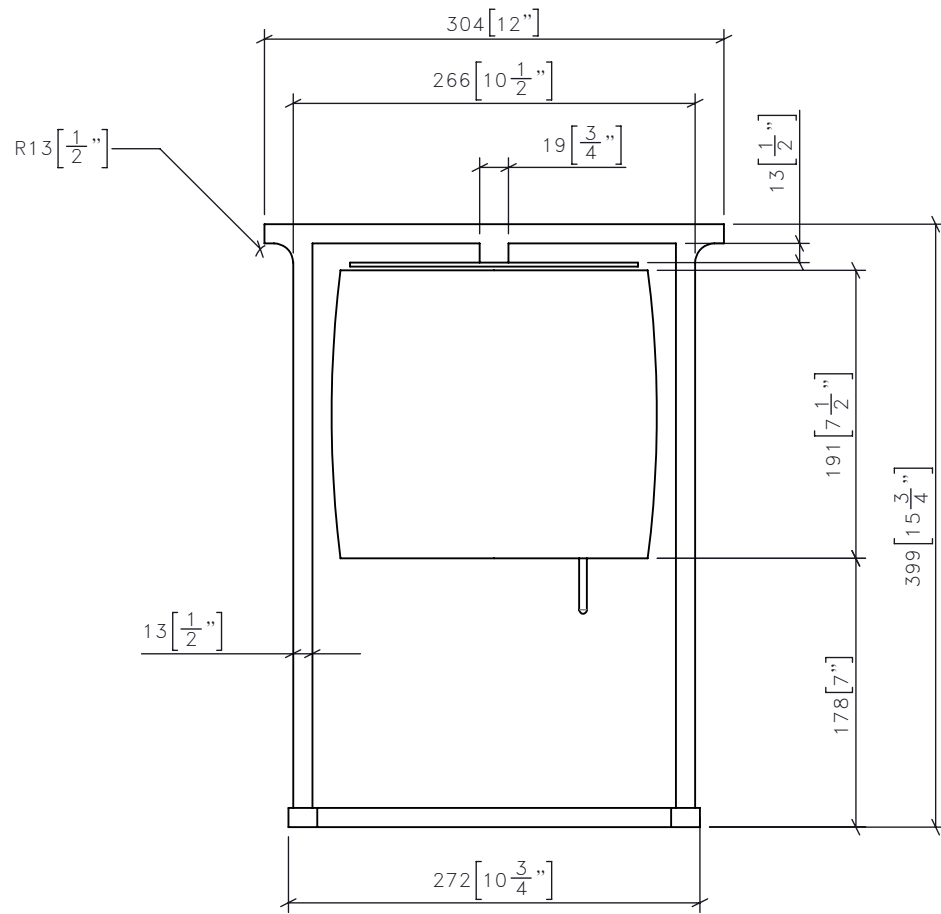
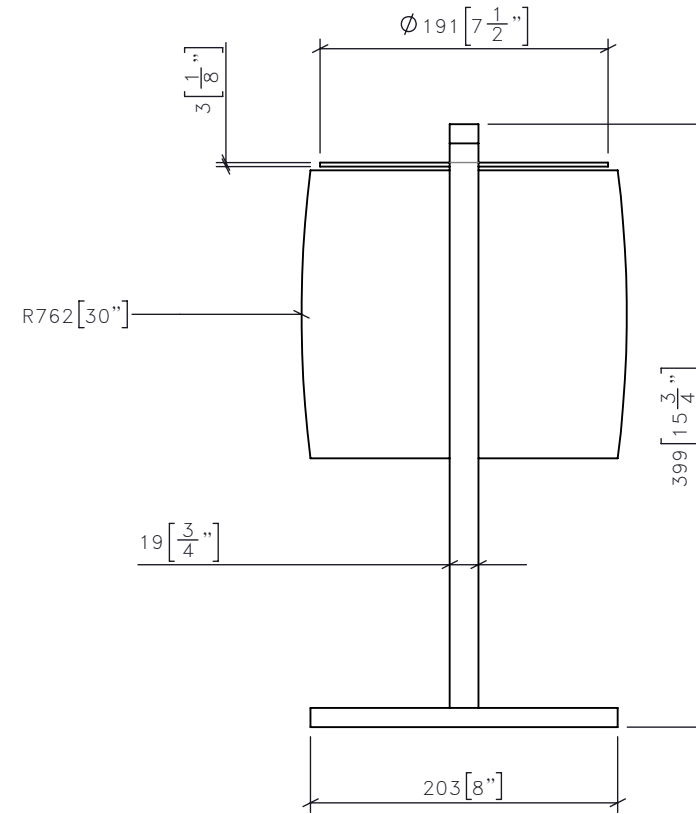


FOR DESIGN INTENT ONLY

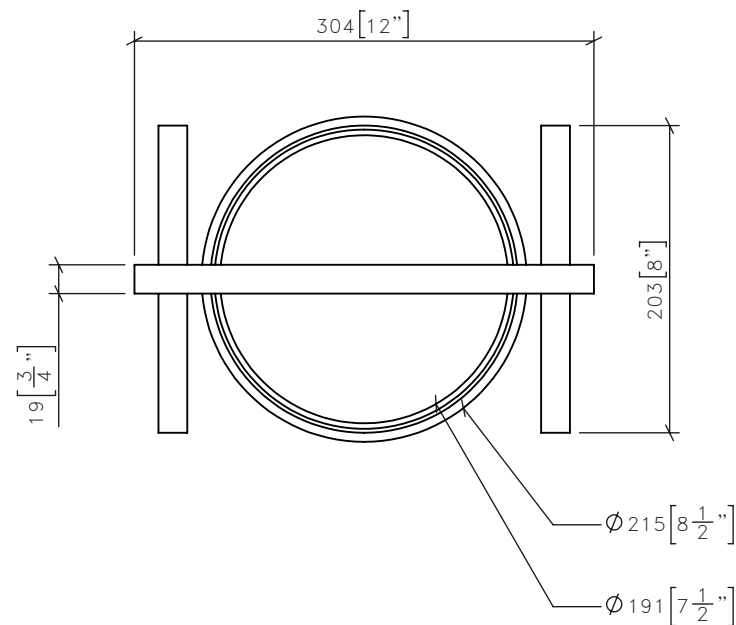
DRAWING ARE NOT TO BE SCALED. CONTRACTOR MUST CHECK AND VERIFY ALL JOB DIMENSIONS, DRAWINGS, DETAILS AND SPECIFICATIONS; AND REPORT ANY DISCREPANCIES TO DESIGNER BEFORE PROCEEDING WITH WORK.



**1** CG-XX  
1:5 **DESK LAMP  
FRONT ELEVATION**



**3** CG-XX  
1:5 **DESK LAMP  
SIDE ELEVATION**



**2** CG-XX  
1:5 **DESK LAMP  
PLAN**

-REV/	-ISSUED FOR	-DATE

**STUDIO  
MUNGE** 25 WINGOLD AVENUE  
TORONTO, ONTARIO  
M6B 1P8 CANADA  
416.588.1668  
STUDIOMUNGE.COM

**-SCALE** AS NOTED **-DATE** 11/30/18

**-DRAWN BY** RC **-CHECKED BY**

**-PROJECT NAME**

SHANGRI-LA NANNING

**-DRAWING TITLE**

CG-XX  
DESK LAMP

**-PROJECT NUMBER**  
16108

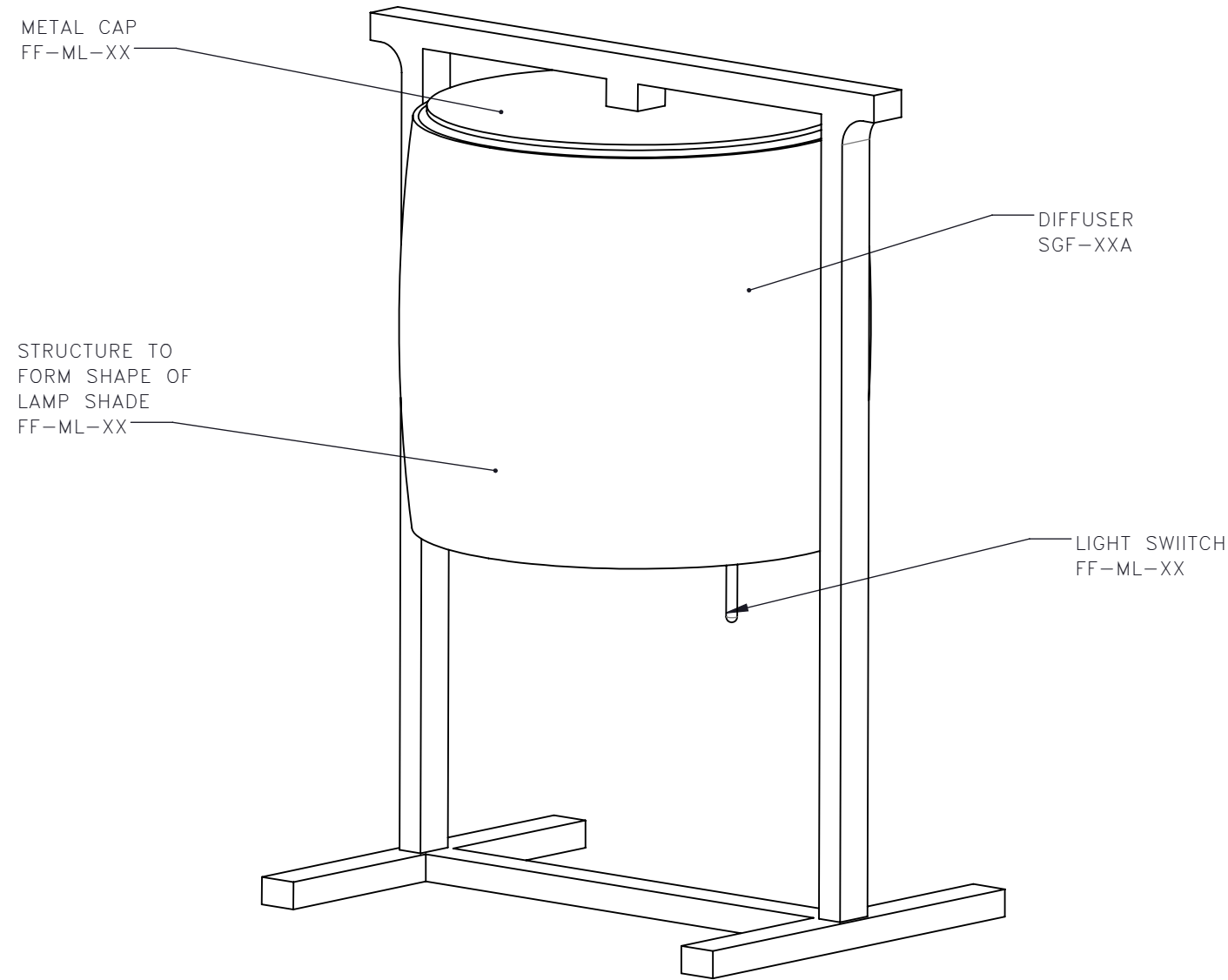
**-DRAWING NUMBER**  
1 / 3

STUDIO MUNGE  
E  
D  
C  
B  
A  
Y

FOR DESIGN INTENT ONLY

DRAWING ARE NOT TO BE SCALED. CONTRACTOR MUST CHECK AND VERIFY ALL JOB DIMENSIONS, DRAWINGS, DETAILS AND SPECIFICATIONS; AND REPORT ANY DISCREPANCIES TO DESIGNER BEFORE PROCEEDING WITH WORK.

-REV/	-ISSUED FOR	-DATE



5	CG-XX	DESK LAMP ISOMETRIC FRONT
	1:3	

**STUDIO  
MUNGE** 25 WINGOLD AVENUE  
TORONTO, ONTARIO  
M6B 1P8 CANADA  
416.588.1668  
STUDIOMUNGE.COM

<b>-SCALE</b> AS NOTED	<b>-DATE</b> 11/30/18
<b>-DRAWN BY</b> RC	<b>-CHECKED BY</b> 
<b>-PROJECT NAME</b>  SHANGRI-LA NANNING	
<b>-DRAWING TITLE</b>  CG-XX DESK LAMP	
<b>-PROJECT NUMBER</b> 16108	
<b>-DRAWING NUMBER</b> 2 / 3	

STUDIO MUNGE  
E  
F  
D  
C  
B  
A  
Y

FOR DESIGN INTENT ONLY

DRAWING ARE NOT TO BE SCALED. CONTRACTOR MUST CHECK AND VERIFY ALL JOB DIMENSIONS, DRAWINGS, DETAILS AND SPECIFICATIONS; AND REPORT ANY DISCREPANCIES TO DESIGNER BEFORE PROCEEDING WITH WORK.

-REV/	-ISSUED FOR	-DATE



**STUDIO  
MUNGE**  
25 WINGOLD AVENUE  
TORONTO, ONTARIO  
M6B 1P8 CANADA  
416.588.1668  
STUDIOMUNGE.COM

**-SCALE** AS NOTED  
**-DATE** 11/30/18

**-DRAWN BY** RC  
**-CHECKED BY**

**-PROJECT NAME**  
SHANGRI-LA NANNING

**-DRAWING TITLE**  
CG-XX  
DESK LAMP

**-PROJECT NUMBER**  
16108

**-DRAWING NUMBER**  
3 / 3

6 | CG-XX | DESK LAMP  
1:2 | RENDERED VIEW