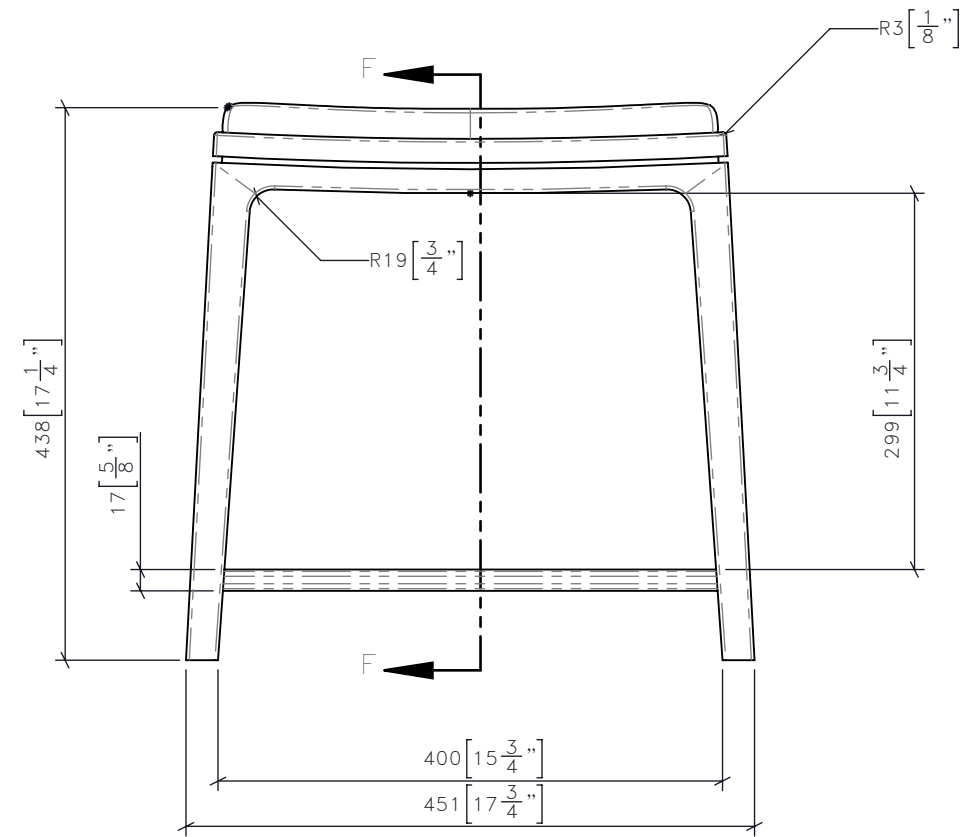
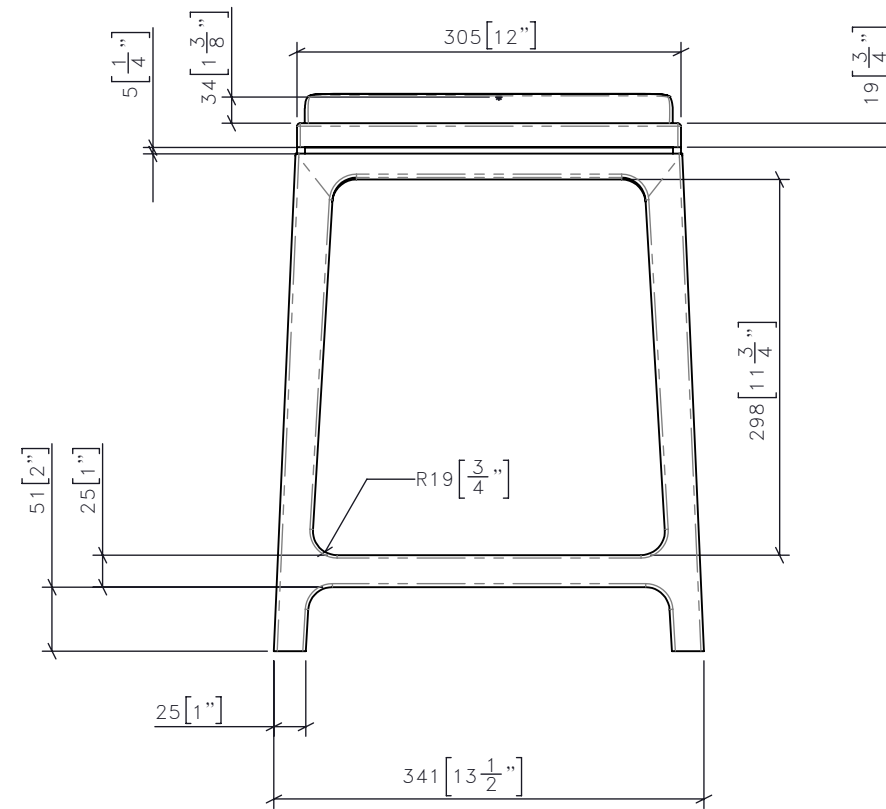


FOR DESIGN INTENT ONLY

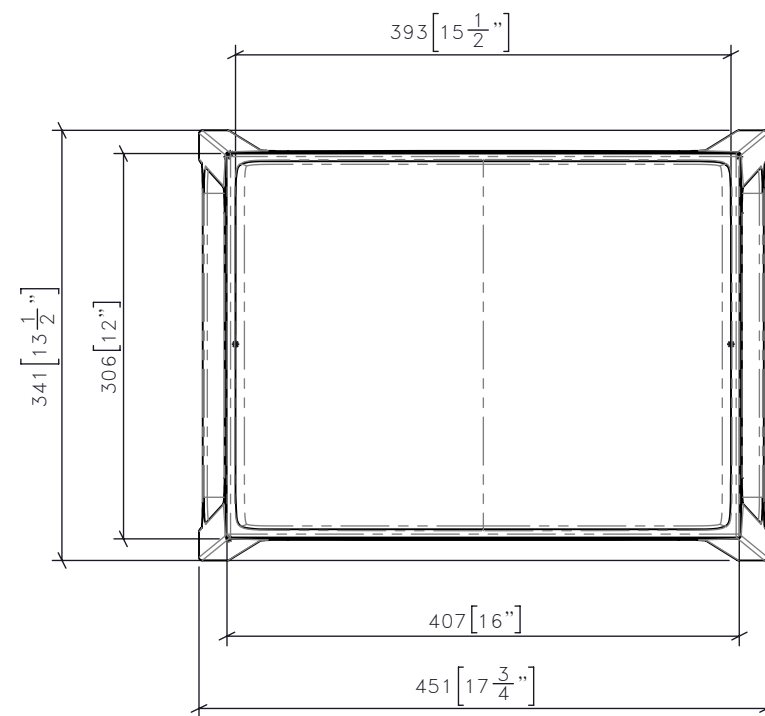
DRAWING ARE NOT TO BE SCALED. CONTRACTOR MUST CHECK AND VERIFY ALL JOB DIMENSIONS, DRAWINGS, DETAILS AND SPECIFICATIONS; AND REPORT ANY DISCREPANCIES TO DESIGNER BEFORE PROCEEDING WITH WORK.



1 CG-XX 1:6 **STOOL FRONT ELEVATION**



3 CG-XX 1:6 **STOOL SIDE ELEVATION**



2 CG-XX 1:6 **STOOL PLAN**

-REV/	-ISSUED FOR	-DATE

STUDIO MUNGE
 25 WINGOLD AVENUE
 TORONTO, ONTARIO
 M6B 1P8 CANADA
 416.588.1668
 STUDIUMUNGE.COM

-SCALE
AS NOTED

-DATE
3/19/19

-DRAWN BY
RC

-CHECKED BY

-PROJECT NAME

SHANGRI-LA NANNING

-DRAWING TITLE

CG-XX
STOOL

-PROJECT NUMBER
16108

-DRAWING NUMBER
1 / 3

STUDIO MUNGE
E
D
C
B
A
Y

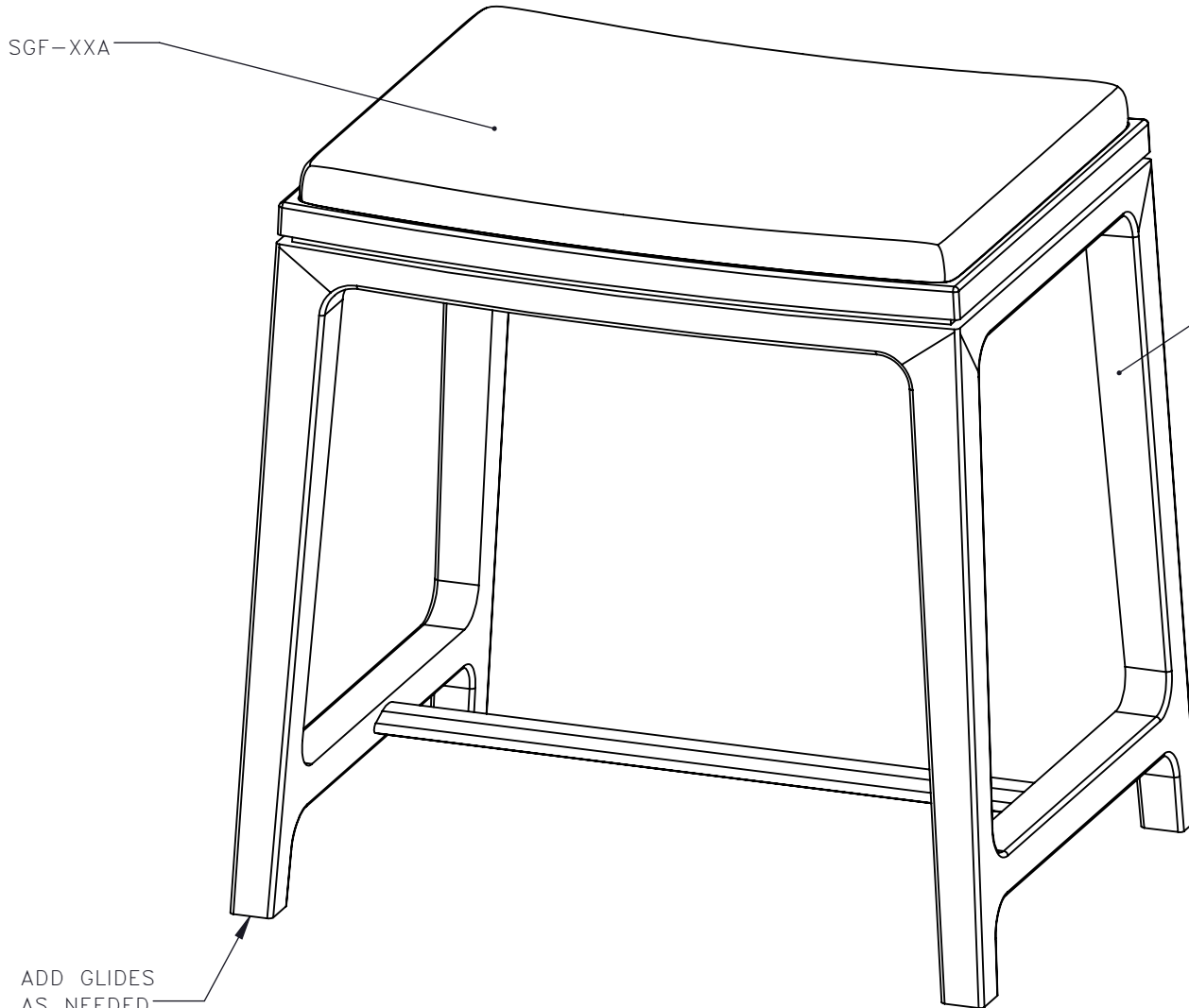
FOR DESIGN INTENT ONLY

DRAWING ARE NOT TO BE SCALED. CONTRACTOR MUST CHECK AND VERIFY ALL JOB DIMENSIONS, DRAWINGS, DETAILS AND SPECIFICATIONS; AND REPORT ANY DISCREPANCIES TO DESIGNER BEFORE PROCEEDING WITH WORK.

TIGHT UPHOLSTERED
FIXED SEAT PAD

RUBBER WEBBING WITHIN
FOR COMFORT

SGF-XXA



SOLID HARDWOOD FRAMING
FF-WD-XX

ADD GLIDES
AS NEEDED

-REV/	-ISSUED FOR	-DATE

**STUDIO
MUNGE**
25 WINGOLD AVENUE
TORONTO, ONTARIO
M6B 1P8 CANADA
416.588.1668
STUDIOMUNGE.COM

-SCALE
AS NOTED

-DATE
3/19/19

-DRAWN BY
RC

-CHECKED BY

-PROJECT NAME

SHANGRI-LA NANNING

-DRAWING TITLE

CG-XX
STOOL

-PROJECT NUMBER
16108

-DRAWING NUMBER
2 / 3

5 | CG-XX | **STOOL**
1:4 | **ISOMETRIC FRONT**

STUDIO MUNGE
E
F
D
C
B
A
Y

FOR DESIGN INTENT ONLY

DRAWING ARE NOT TO BE SCALED. CONTRACTOR MUST CHECK AND VERIFY ALL JOB DIMENSIONS, DRAWINGS, DETAILS AND SPECIFICATIONS; AND REPORT ANY DISCREPANCIES TO DESIGNER BEFORE PROCEEDING WITH WORK.

-REV/	-ISSUED FOR	-DATE



**STUDIO
MUNGE**
25 WINGOLD AVENUE
TORONTO, ONTARIO
M6B 1P8 CANADA
416.588.1668
STUDIOMUNGE.COM

-SCALE AS NOTED	-DATE 3/19/19
-DRAWN BY RC	-CHECKED BY
-PROJECT NAME SHANGRI-LA NANNING	
-DRAWING TITLE CG-XX STOOL	
-PROJECT NUMBER 16108	
-DRAWING NUMBER 3 / 3	

5	CG-XX	STOOL ISOMETRIC FRONT
	1:4	