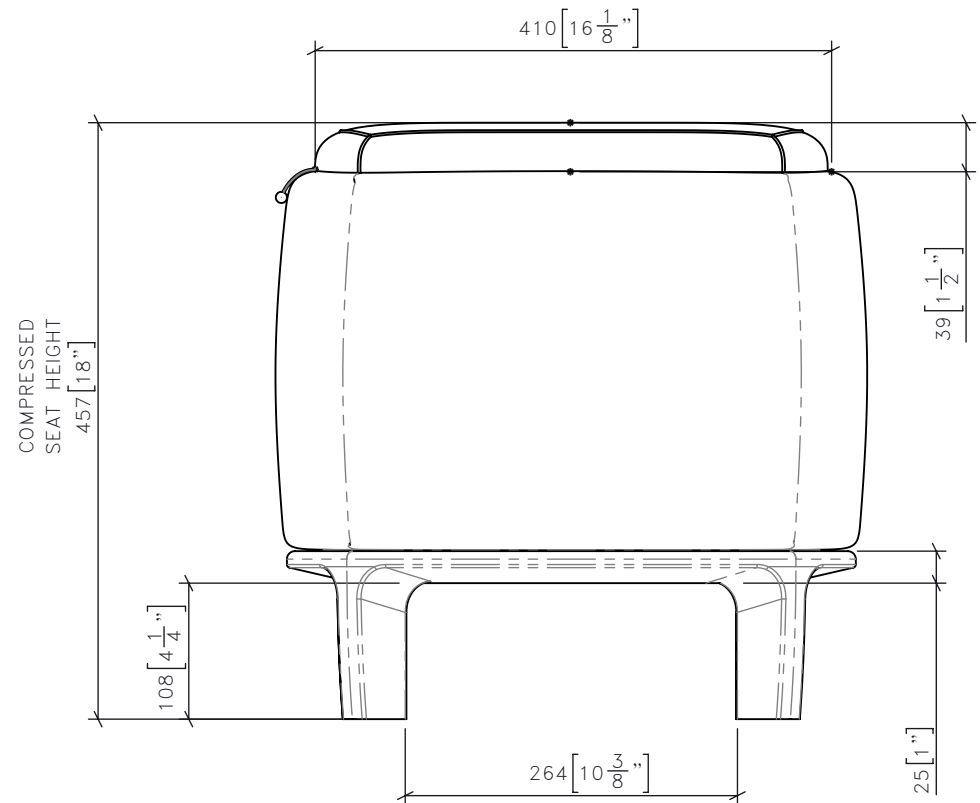


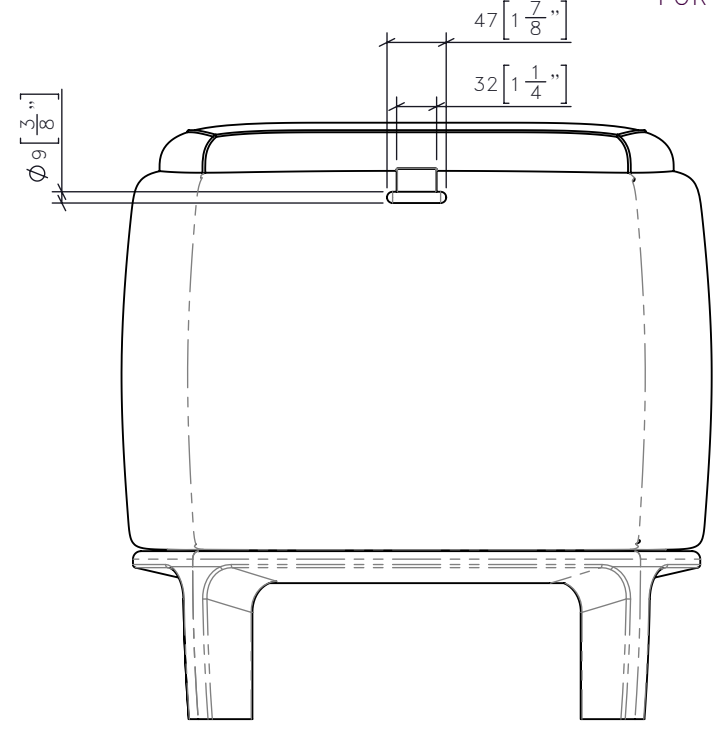
FOR DESIGN INTENT ONLY

DRAWING ARE NOT TO BE SCALED. CONTRACTOR MUST CHECK AND VERIFY ALL JOB DIMENSIONS, DRAWINGS, DETAILS AND SPECIFICATIONS; AND REPORT ANY DISCREPANCIES TO DESIGNER BEFORE PROCEEDING WITH WORK.

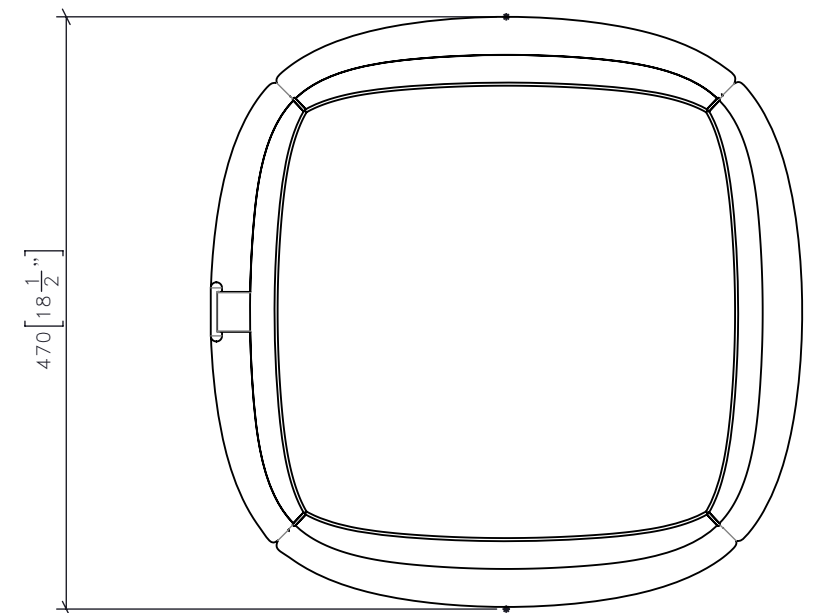
-REV/	-ISSUED FOR	-DATE



**1** CG-XX  
1:6 **STOOL FRONT ELEVATION**



**3** CG-XX  
1:6 **STOOL SIDE ELEVATION**



**2** CG-XX  
1:6 **STOOL PLAN**

**STUDIO MUNGE**  
25 WINGOLD AVENUE  
TORONTO, ONTARIO  
M6B 1P8 CANADA  
416.588.1668  
STUDIOMUNGE.COM

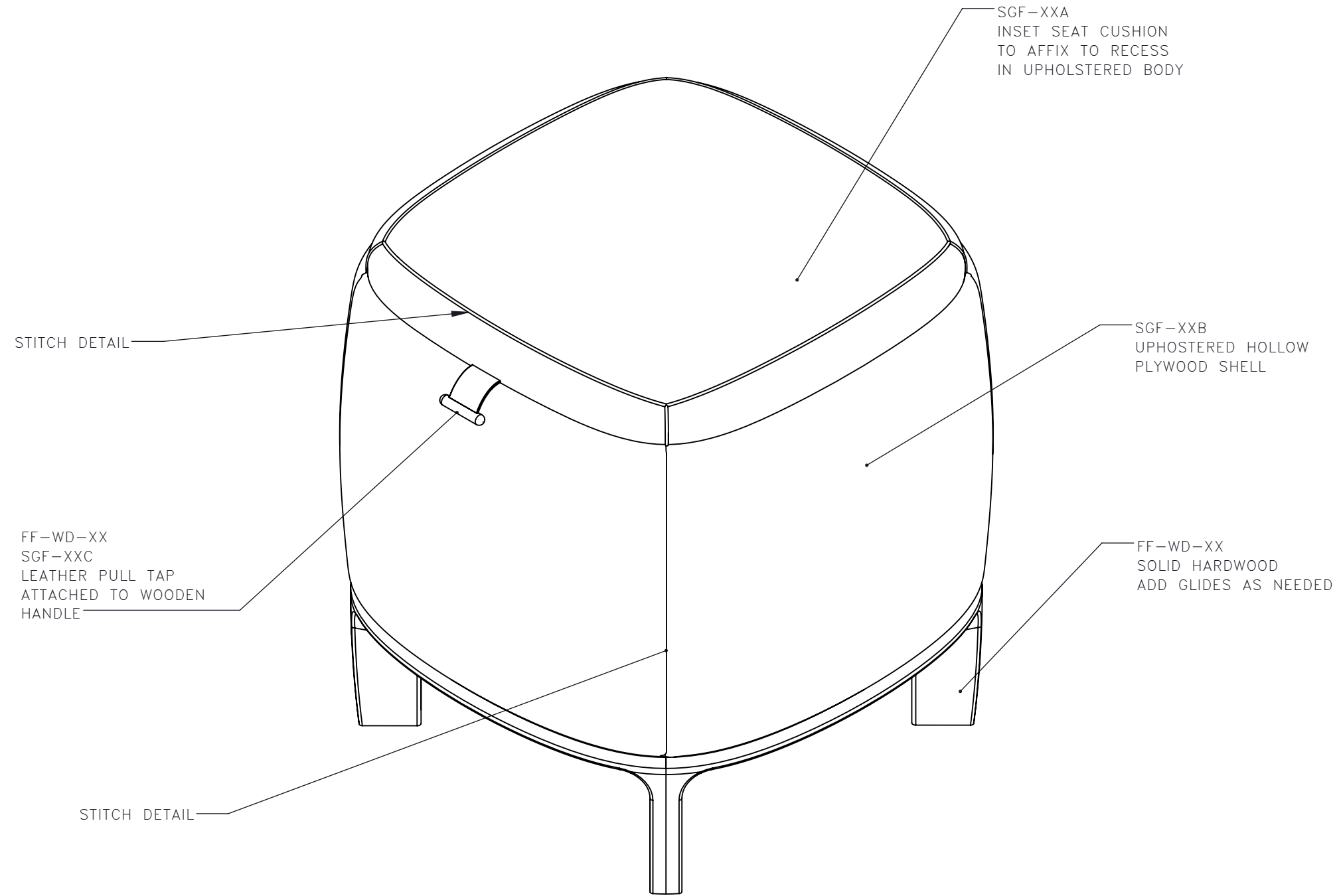
<b>-SCALE</b> AS NOTED	<b>-DATE</b> 11/1/18
<b>-DRAWN BY</b> RC	<b>-CHECKED BY</b>
<b>-PROJECT NAME</b>  SAHNGRI-LA NANNING	
<b>-DRAWING TITLE</b>  CG-XX STOOL	
<b>-PROJECT NUMBER</b> 16108	
<b>-DRAWING NUMBER</b> 1 / 3	

STUDIO MUNGE

FOR DESIGN INTENT ONLY

DRAWING ARE NOT TO BE SCALED. CONTRACTOR MUST CHECK AND VERIFY ALL JOB DIMENSIONS, DRAWINGS, DETAILS AND SPECIFICATIONS; AND REPORT ANY DISCREPANCIES TO DESIGNER BEFORE PROCEEDING WITH WORK.

-REV/	-ISSUED FOR	-DATE



**STUDIO  
MUNGE** 25 WINGOLD AVENUE  
TORONTO, ONTARIO  
M6B 1P8 CANADA  
416.588.1668  
STUDIOMUNGE.COM

**-SCALE**  
AS NOTED

**-DATE**  
11/1/18

**-DRAWN BY**  
RC

**-CHECKED BY**

**-PROJECT NAME**  
  
SAHNGRI-LA NANNING

**-DRAWING TITLE**  
  
CG-XX  
STOOL

**-PROJECT NUMBER**  
16108

**-DRAWING NUMBER**  
2 / 3

**5** CG-XX  
1:4 **STOOL**  
ISOMETRIC VIEW

STUDIO MUNGE  
E  
F  
D  
C  
B  
A  
Y

FOR DESIGN INTENT ONLY

DRAWING ARE NOT TO BE SCALED. CONTRACTOR MUST CHECK AND VERIFY ALL JOB DIMENSIONS, DRAWINGS, DETAILS AND SPECIFICATIONS; AND REPORT ANY DISCREPANCIES TO DESIGNER BEFORE PROCEEDING WITH WORK.

-REV/	-ISSUED FOR	-DATE



**STUDIO  
MUNGE**  
25 WINGOLD AVENUE  
TORONTO, ONTARIO  
M6B 1P8 CANADA  
416.588.1668  
STUDIOMUNGE.COM

**-SCALE**  
AS NOTED

**-DATE**  
11/1/18

**-DRAWN BY**  
RC

**-CHECKED BY**

**-PROJECT NAME**  
  
SAHNGRI-LA NANNING

**-DRAWING TITLE**  
  
CG-XX  
STOOL

**-PROJECT NUMBER**  
16108

**-DRAWING NUMBER**  
3 / 3

5 | CG-XX | STOOL  
1:4 | RENDERED VIEW