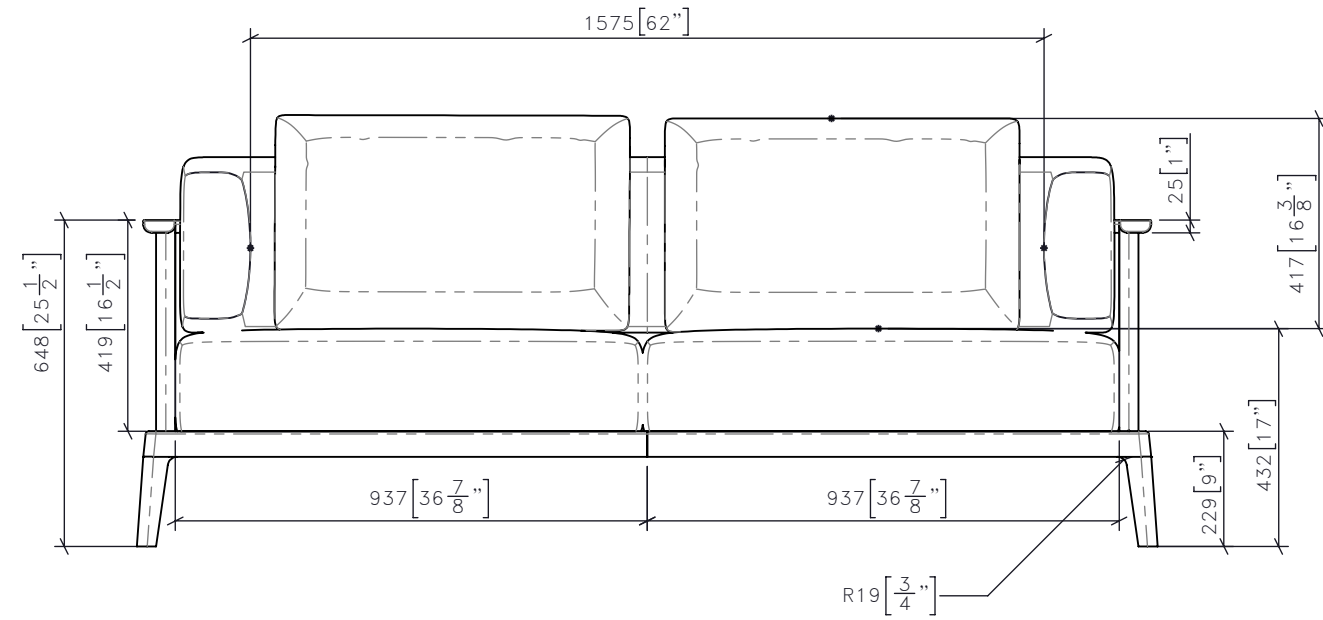


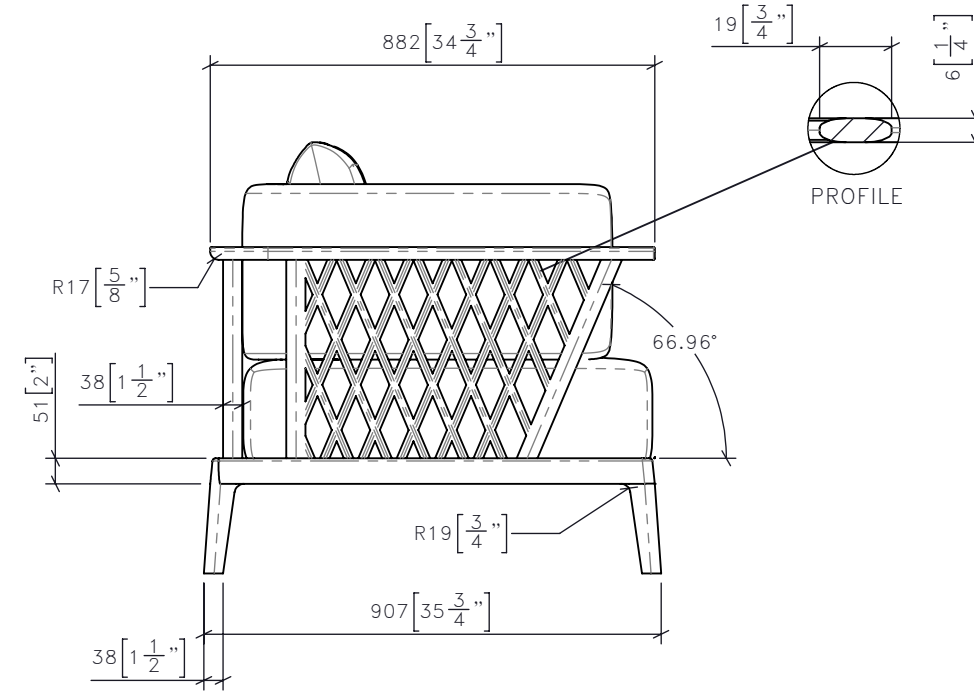
STUDIO MUNGE

FOR DESIGN INTENT ONLY

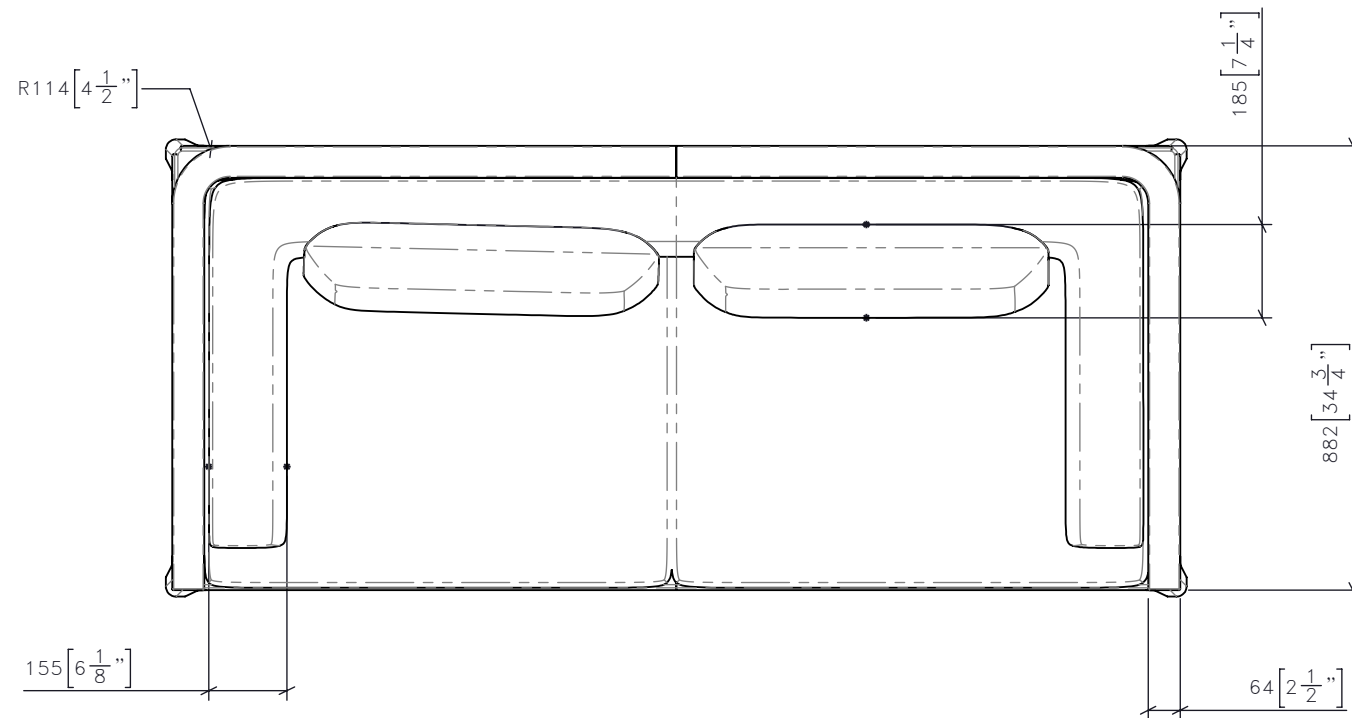
DRAWING ARE NOT TO BE SCALED. CONTRACTOR MUST CHECK AND VERIFY ALL JOB DIMENSIONS, DRAWINGS, DETAILS AND SPECIFICATIONS, AND REPORT ANY DISCREPANCIES TO DESIGNER BEFORE PROCEEDING WITH WORK.



1 CG-28 SMALL SOFA
1:15 FRONT ELEVATION



3 CG-28 SMALL SOFA
1:15 SIDE ELEVATION



2 CG-28 SMALL SOFA
1:15 PLAN

-REV/	-ISSUED FOR	-DATE

STUDIO MUNGE
 25 WINGOLD AVENUE
 TORONTO, ONTARIO
 M6B 1P8 CANADA
 416.588.1668
 STUDIOMUNGE.COM

-SCALE AS NOTED
-DATE 2020-04-23

-DRAWN BY RC
-CHECKED BY

-PROJECT NAME

PROJECT TITLE

-DRAWING TITLE

CG-28
 SMALL SOFA

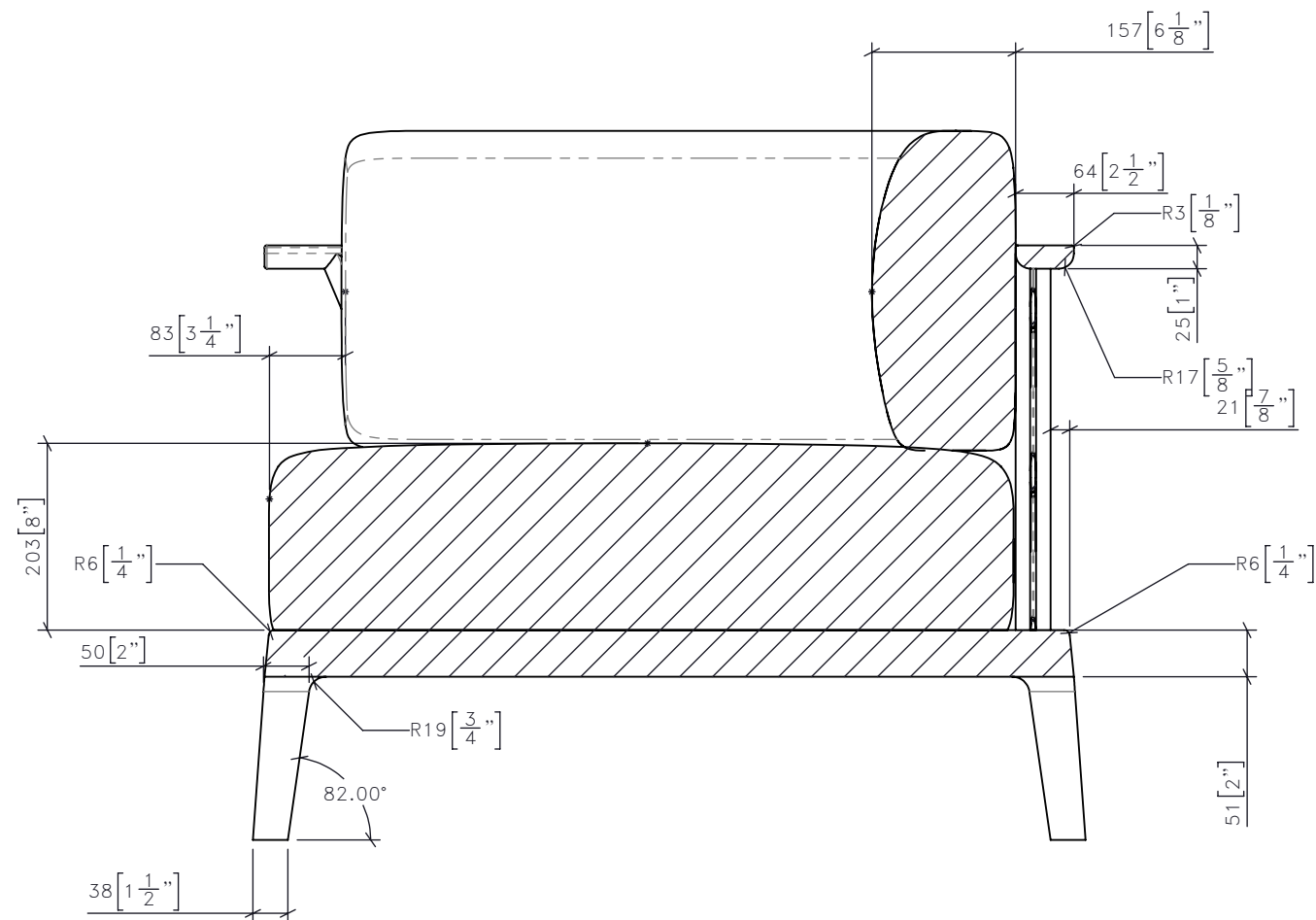
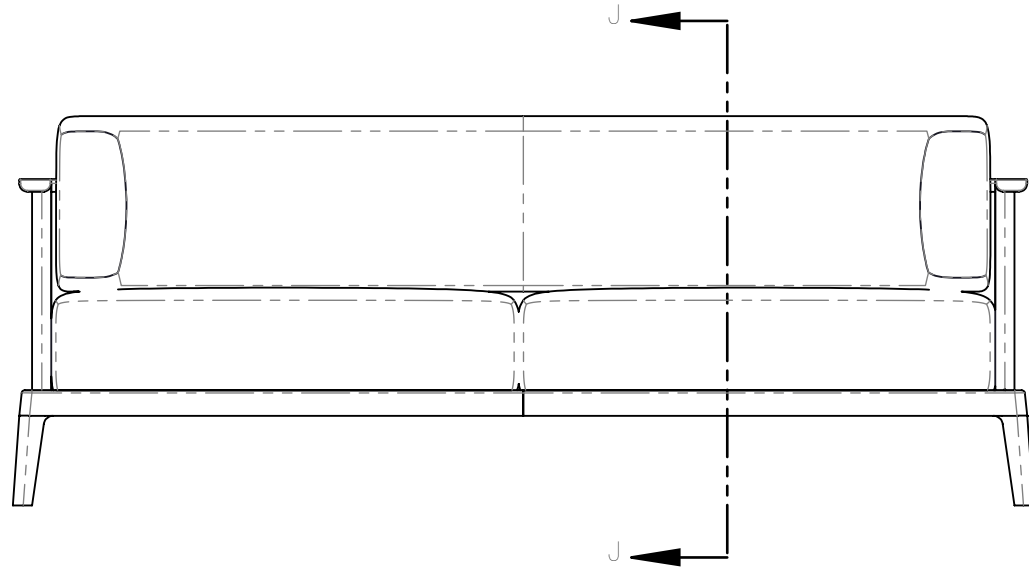
-PROJECT NUMBER
 16108

-DRAWING NUMBER
 1 / 5

FOR DESIGN INTENT ONLY

DRAWING ARE NOT TO BE SCALED. CONTRACTOR MUST CHECK AND VERIFY ALL JOB DIMENSIONS, DRAWINGS, DETAILS AND SPECIFICATIONS; AND REPORT ANY DISCREPANCIES TO DESIGNER BEFORE PROCEEDING WITH WORK.

REV	ISSUED FOR	DATE



STUDIO MUNGE
 25 WINGOLD AVENUE
 TORONTO, ONTARIO
 M6B 1P8 CANADA
 416.588.1668
 STUDIOMUNGE.COM

-SCALE
AS NOTED

-DATE
2020-04-23

-DRAWN BY
RC

-CHECKED BY

-PROJECT NAME

PROJECT TITLE

-DRAWING TITLE

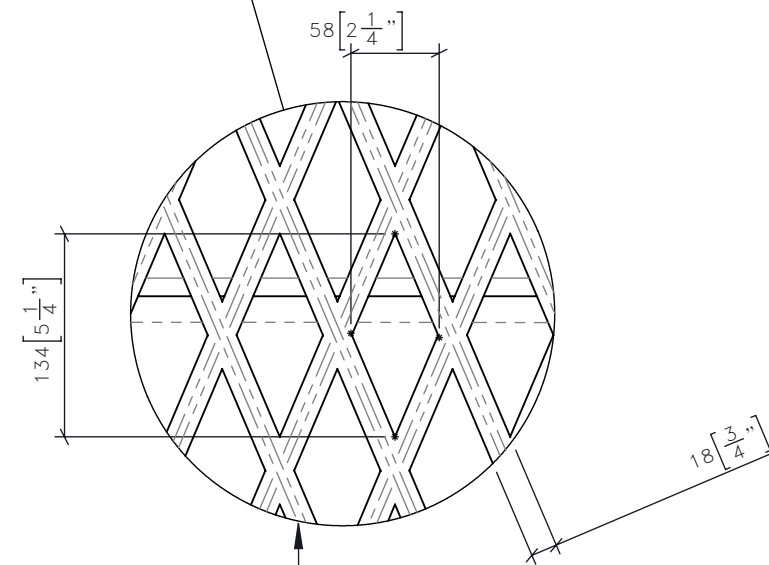
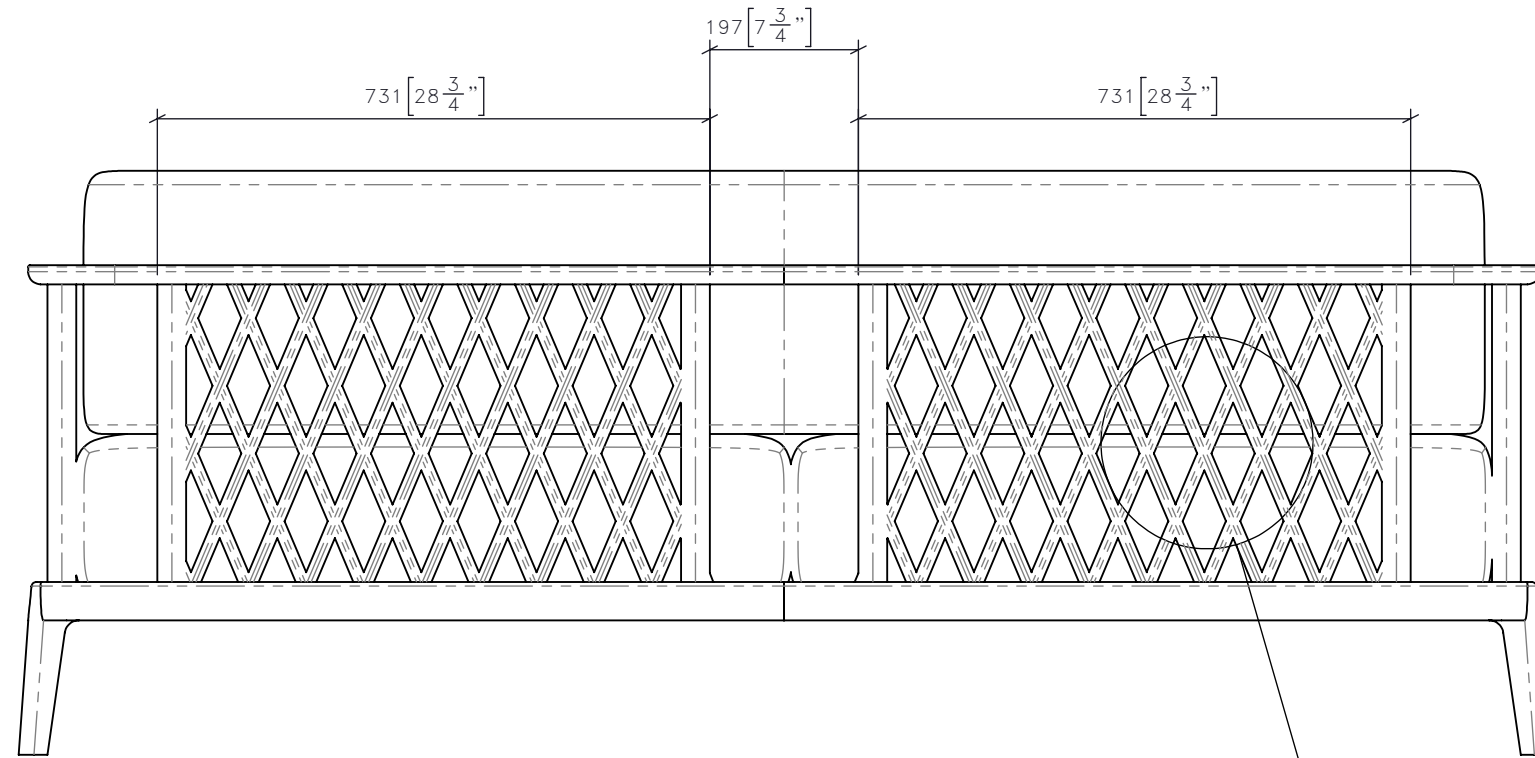
CG-28
SMALL SOFA

-PROJECT NUMBER
16108

-DRAWING NUMBER
2 / 5

4 | CG-28 | SMALL SOFA
1:15 | SECTION J-J

-REV/	-ISSUED FOR	-DATE



FRAMING DETAIL
 ROUNDED EDGES
 DIAMOND PROFILE

5 | CG-28 | SMALL SOFA
 1:10 | REAR ELEVATION

STUDIO MUNGE
 25 WINGOLD AVENUE
 TORONTO, ONTARIO
 M6B 1P8 CANADA
 416.588.1668
 STUDIOMUNGE.COM

-SCALE AS NOTED
 -DATE 2020-04-23

-DRAWN BY RC
 -CHECKED BY

-PROJECT NAME

PROJECT TITLE

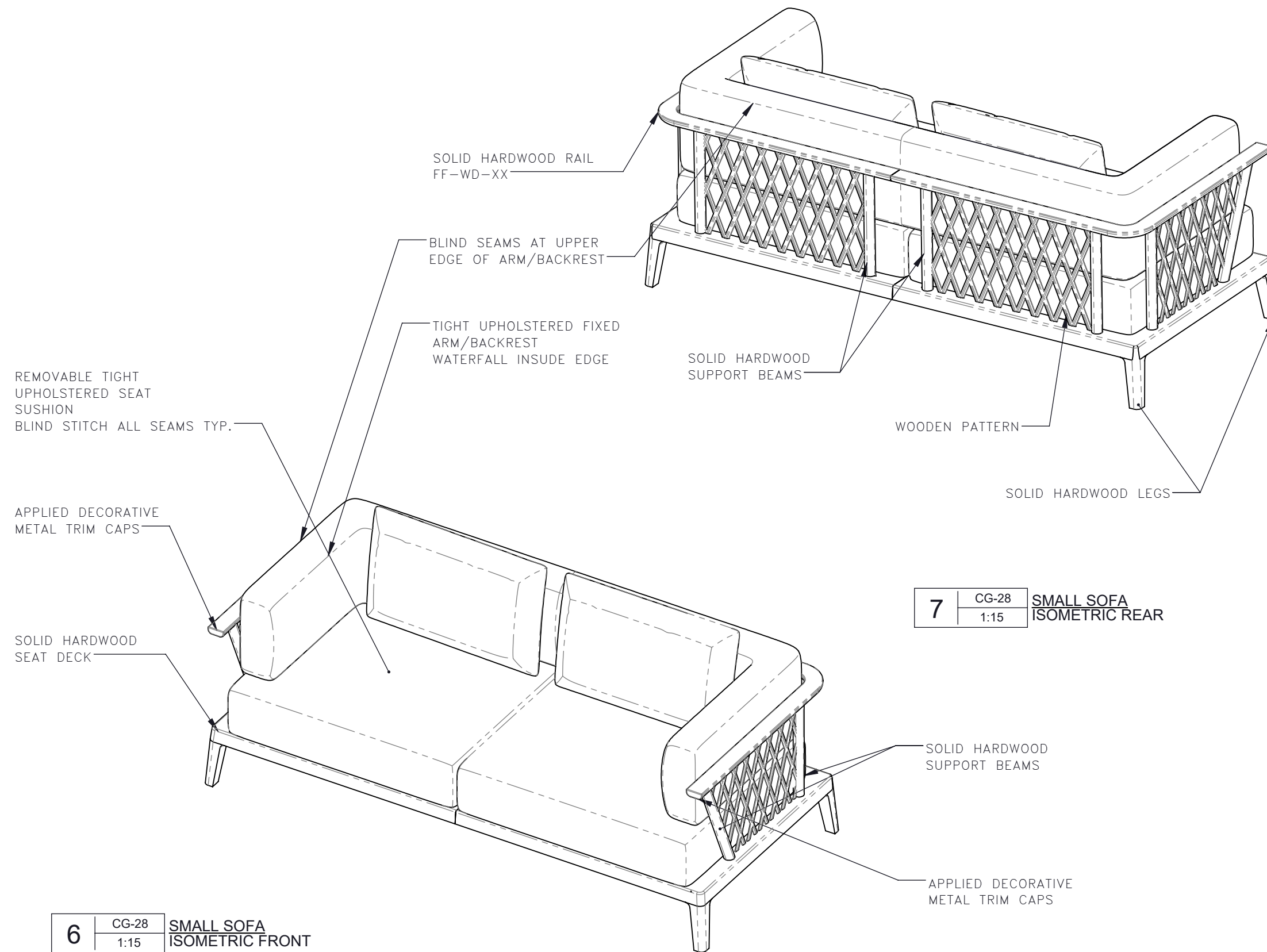
-DRAWING TITLE

CG-28
 SMALL SOFA

-PROJECT NUMBER
 16108

-DRAWING NUMBER
 3 / 5

-REV/	-ISSUED FOR	-DATE



STUDIO MUNGE
 25 WINGOLD AVENUE
 TORONTO, ONTARIO
 M6B 1P8 CANADA
 416.588.1668
 STUDIOMUNGE.COM

-SCALE AS NOTED
 -DATE 2020-04-23

-DRAWN BY RC
 -CHECKED BY

-PROJECT NAME

PROJECT TITLE

-DRAWING TITLE

CG-28
 SMALL SOFA

-PROJECT NUMBER
 16108

-DRAWING NUMBER
 4 / 5

STUDIO MUNGE
E
F
D
C
B
A
Y

FOR DESIGN INTENT ONLY

DRAWING ARE NOT TO BE SCALED. CONTRACTOR MUST CHECK AND VERIFY ALL JOB DIMENSIONS, DRAWINGS, DETAILS AND SPECIFICATIONS; AND REPORT ANY DISCREPANCIES TO DESIGNER BEFORE PROCEEDING WITH WORK.

-REV/	-ISSUED FOR	-DATE



STUDIO MUNGE
25 WINGOLD AVENUE
TORONTO, ONTARIO
M6B 1P8 CANADA
416.588.1668
STUDIOMUNGE.COM

-SCALE
AS NOTED

-DATE
2020-04-23

-DRAWN BY
RC

-CHECKED BY

-PROJECT NAME

PROJECT TITLE

-DRAWING TITLE

CG-28
SMALL SOFA

-PROJECT NUMBER
16108

-DRAWING NUMBER
5 / 5

8	CG-28	SMALL SOFA RENDERED VIEW
	1:15	