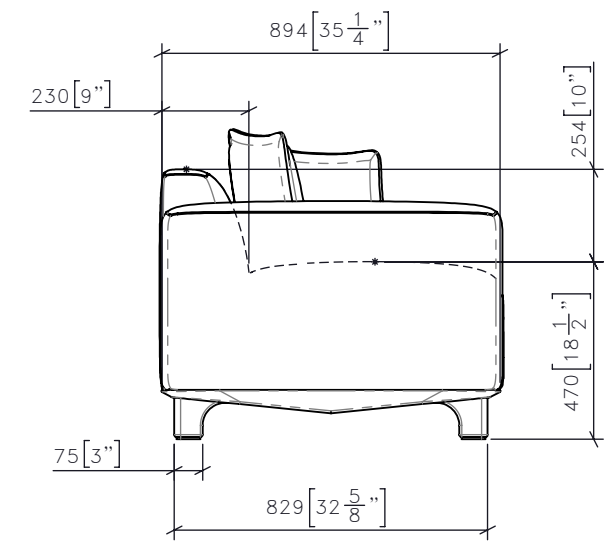
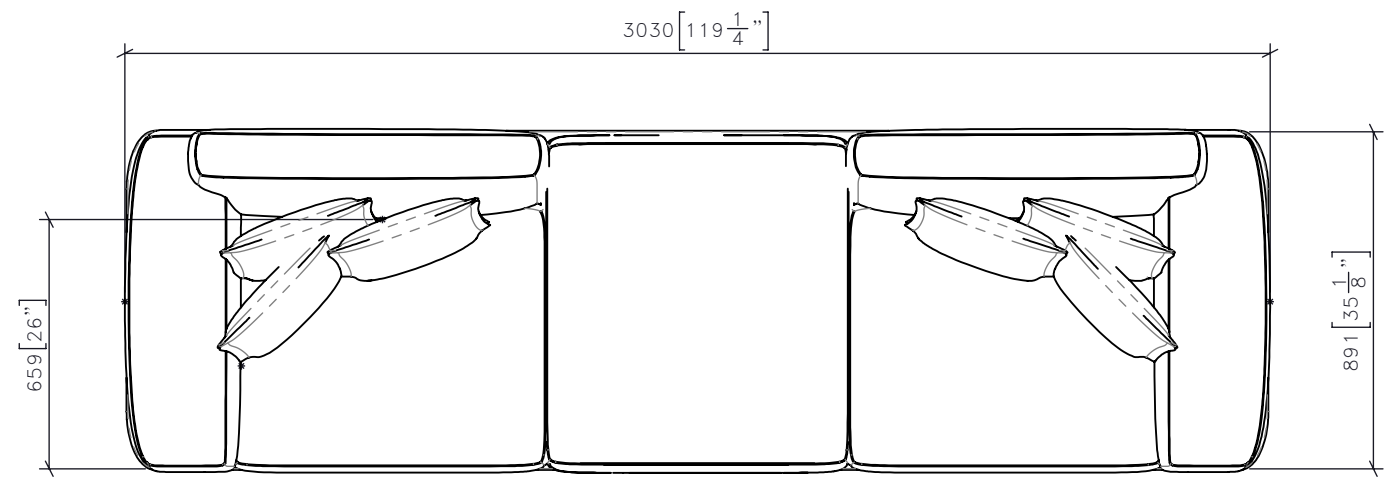


1 | CG-XX | SOFA
1:20 | FRONT ELEVATION



3 | CG-XX | SOFA
1:20 | SIDE ELEVATION



2 | CG-XX | SOFA
1:20 | PLAN

-SCALE AS NOTED		-DATE 8/29/18
-DRAWN BY LS		-CHECKED BY
-PROJECT NAME SHANGRI- LA NANNING		
-DRAWING TITLE CG-XX SOFA		
-PROJECT NUMBER 16109		
-DRAWING NUMBER 1 / 3		

STUDIO MUNGE
25 WINGOLD AVENUE
TORONTO, ONTARIO
M6B 1P8 CANADA
416.588.1668
STUDIOMUNGE.COM

-REV/	-ISSUED FOR	-DATE

STUDIO MUNGE

FOR DESIGN INTENT ONLY

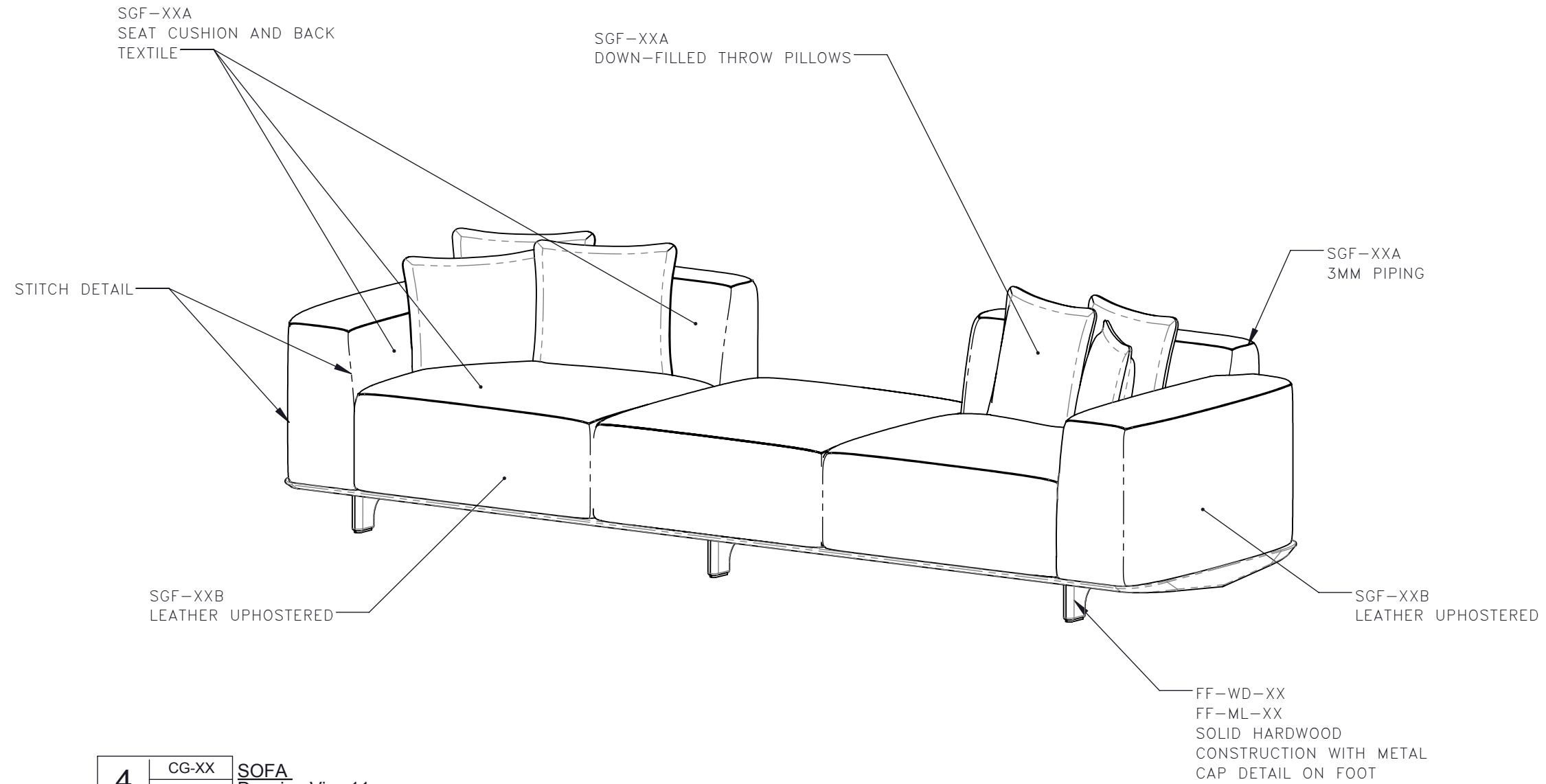
DRAWING ARE NOT TO BE SCALED. CONTRACTOR MUST CHECK AND VERIFY ALL JOB DIMENSIONS, DRAWINGS, DETAILS AND SPECIFICATIONS; AND REPORT ANY DISCREPANCIES TO DESIGNER BEFORE PROCEEDING WITH WORK.

-REV/	-ISSUED FOR	-DATE

**STUDIO
MUNGE**

25 WINGOLD AVENUE
TORONTO, ONTARIO
M6B 1P8 CANADA
416.588.1668
STUDIOMUNGE.COM

-SCALE AS NOTED	-DATE 8/29/18
-DRAWN BY LS	-CHECKED BY
-PROJECT NAME SHANGRI-LA NANNING	
-DRAWING TITLE CG-XX SOFA	
-PROJECT NUMBER 16109	
-DRAWING NUMBER 2 / 3	



4	CG-XX	SOFA Drawing View11
	1:15	

STUDIO MUNGE
E
D
C
B
A
Y

FOR DESIGN INTENT ONLY

DRAWING ARE NOT TO BE SCALED. CONTRACTOR MUST CHECK AND VERIFY ALL JOB DIMENSIONS, DRAWINGS, DETAILS AND SPECIFICATIONS; AND REPORT ANY DISCREPANCIES TO DESIGNER BEFORE PROCEEDING WITH WORK.

-REV/	-ISSUED FOR	-DATE

**STUDIO
MUNGE**
25 WINGOLD AVENUE
TORONTO, ONTARIO
M6B 1P8 CANADA
416.588.1668
STUDIOMUNGE.COM



-SCALE AS NOTED	-DATE 8/29/18
-DRAWN BY LS	-CHECKED BY
-PROJECT NAME SHANGRI- LA NANNING	
-DRAWING TITLE CG-XX SOFA	
-PROJECT NUMBER 16109	
-DRAWING NUMBER 3 / 3	

5	CG-XX	SOFA
	1:15	