

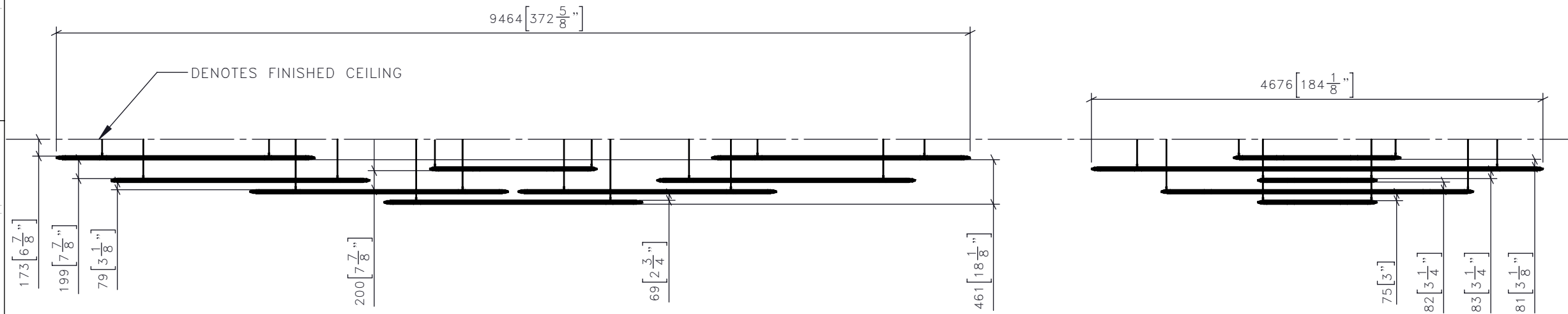
STUDIO MUNGE

FOR DESIGN INTENT ONLY

NOTE: SITE VERIFY ALL DIMENSIONS
NOTE: FOLLOW LIGHTING CONSULTANT SPEC

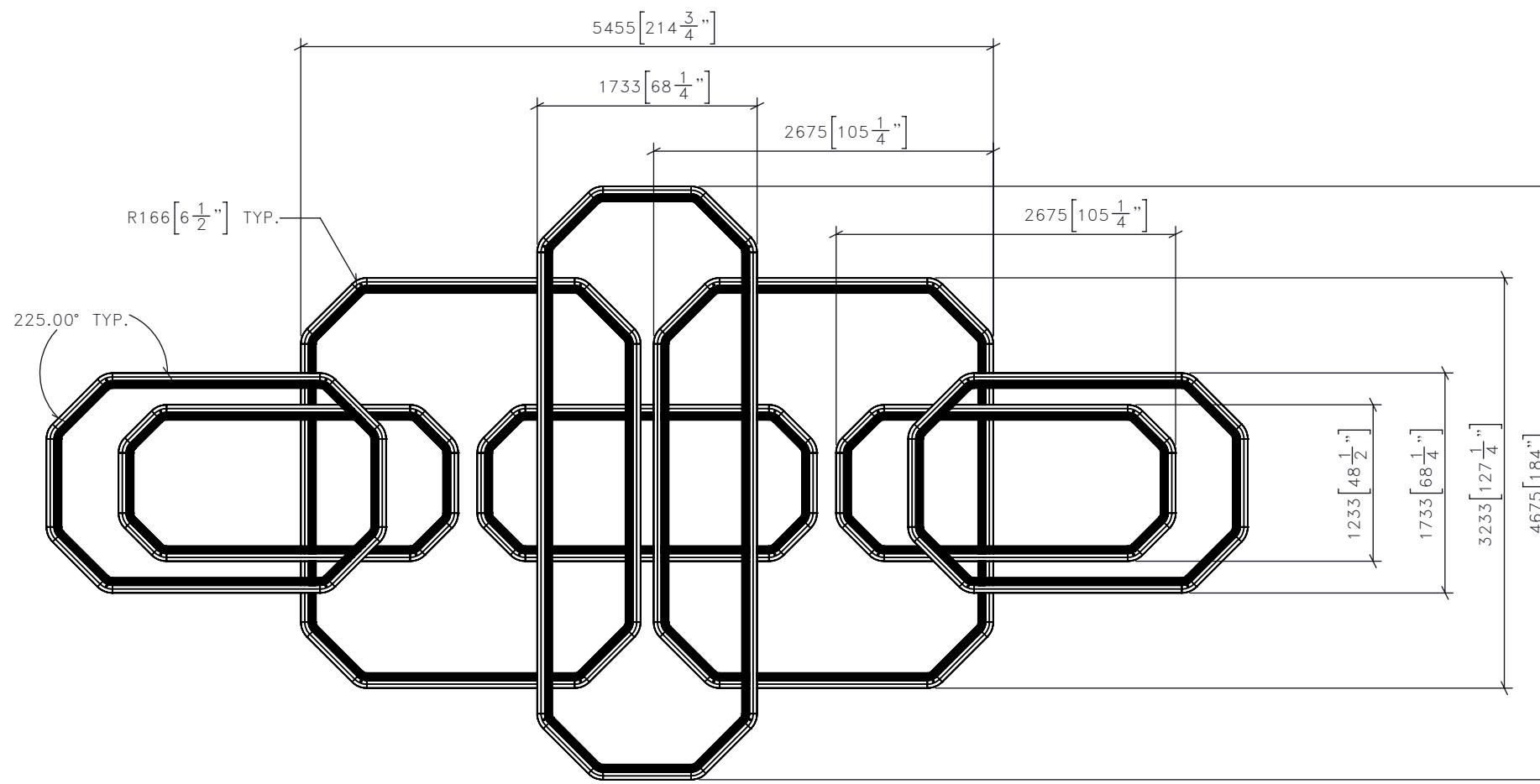
DRAWING ARE NOT TO BE SCALED. CONTRACTOR MUST CHECK AND VERIFY ALL JOB DIMENSIONS, DRAWINGS, DETAILS AND SPECIFICATIONS; AND REPORT ANY DISCREPANCIES TO DESIGNER BEFORE PROCEEDING WITH WORK.

-REV/	-ISSUED FOR	-DATE



1 | LT-04 | VIP CHANDELIER
1:50 | FRONT ELEVATION

3 | LT-04 | VIP CHANDELIER
1:50 | SIDE ELEVATION



2 | LT-04 | VIP CHANDELIER
1:50 | PLAN

STUDIO MUNGE
25 WINGOLD AVENUE
TORONTO, ONTARIO
M6B 1P8 CANADA
416.588.1668
STUDIOMUNGE.COM

-SCALE AS NOTED
-DATE 2020-04-27

-DRAWN BY RC
-CHECKED BY

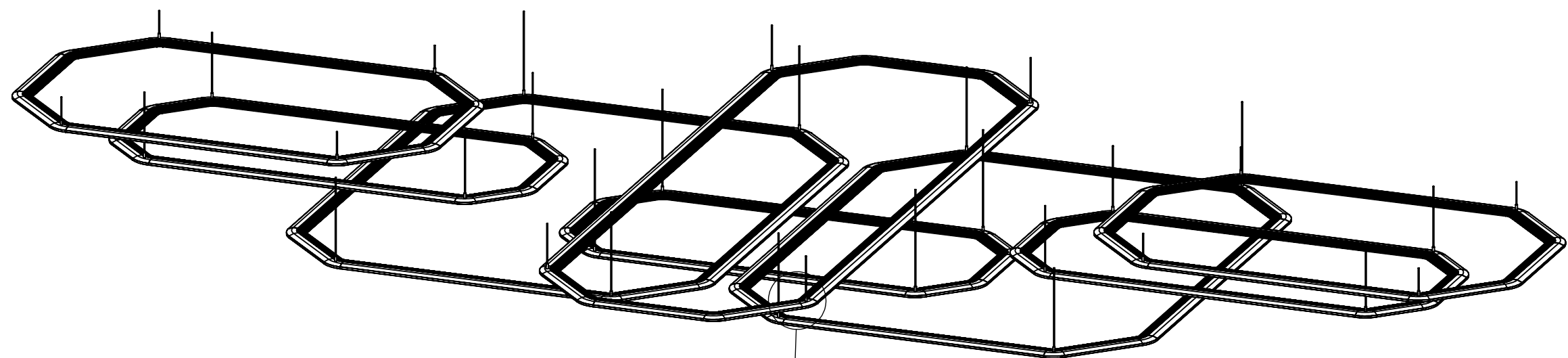
-PROJECT NAME
SHANGRILA NANNING

-DRAWING TITLE
LT-04
VIP CHANDELIER

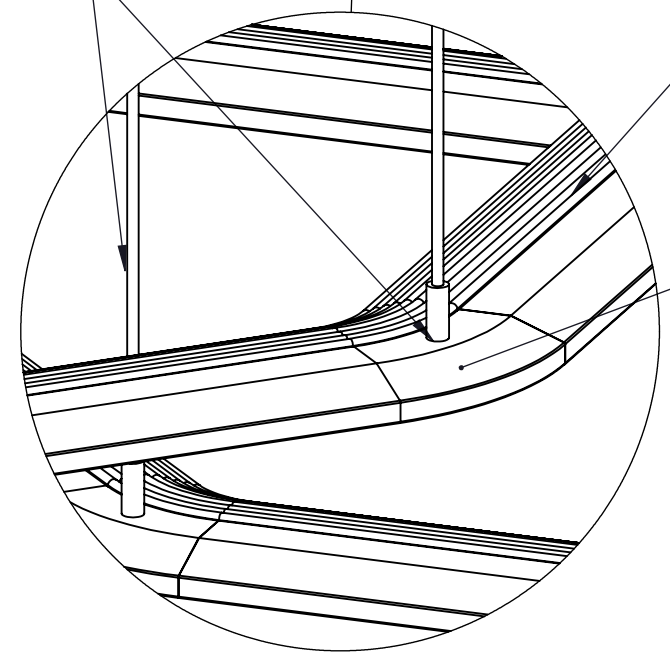
-PROJECT NUMBER
16108

-DRAWING NUMBER
1 / 5

REV	ISSUED FOR	DATE



FIXTURES INDIVIDUALLY
SUSPENDED WITH
AIR CRAFT CABLE



FF-GL-02
CUSTOM GLASS
DIFFUSER
REDED SURFACE
TEXTURE

INTERNALLY LIT WITH
CONTINUOUS LED
STRIP 2700K DIMMABLE
REMOTE DRIVER

FF-ML-02
METAL LAMP BODY

**STUDIO
MUNGE**
25 WINGOLD AVENUE
TORONTO, ONTARIO
M6B 1P8 CANADA
416.588.1668
STUDIOMUNGE.COM

-SCALE
AS NOTED

-DATE
2020-04-27

-DRAWN BY
RC

-CHECKED BY

-PROJECT NAME

SHANGRILA NANNING

-DRAWING TITLE

LT-04
VIP CHANDELIER

-PROJECT NUMBER
16108

-DRAWING NUMBER
2 / 5

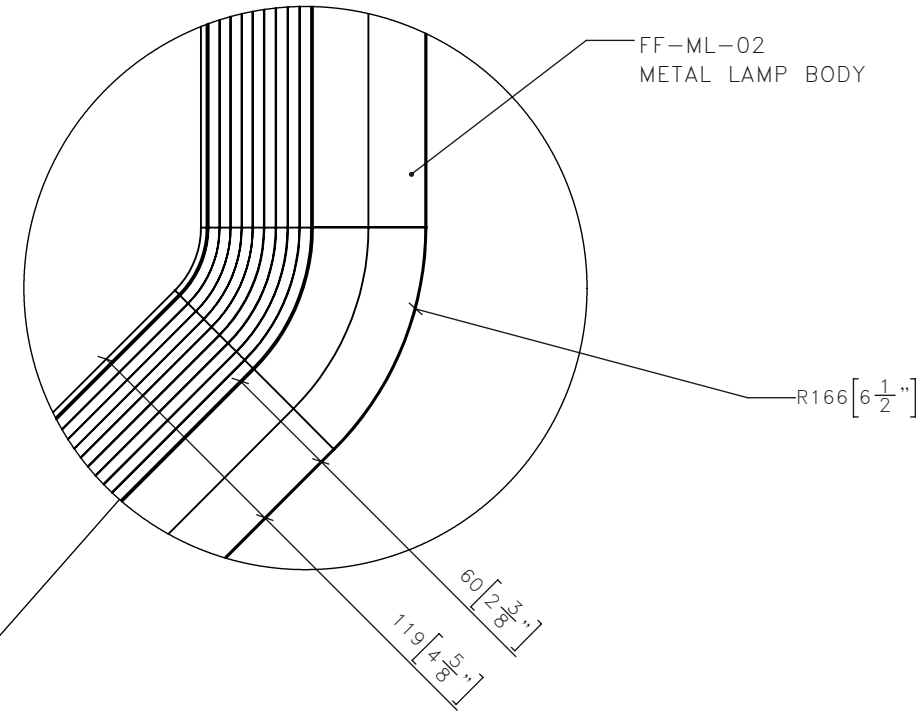
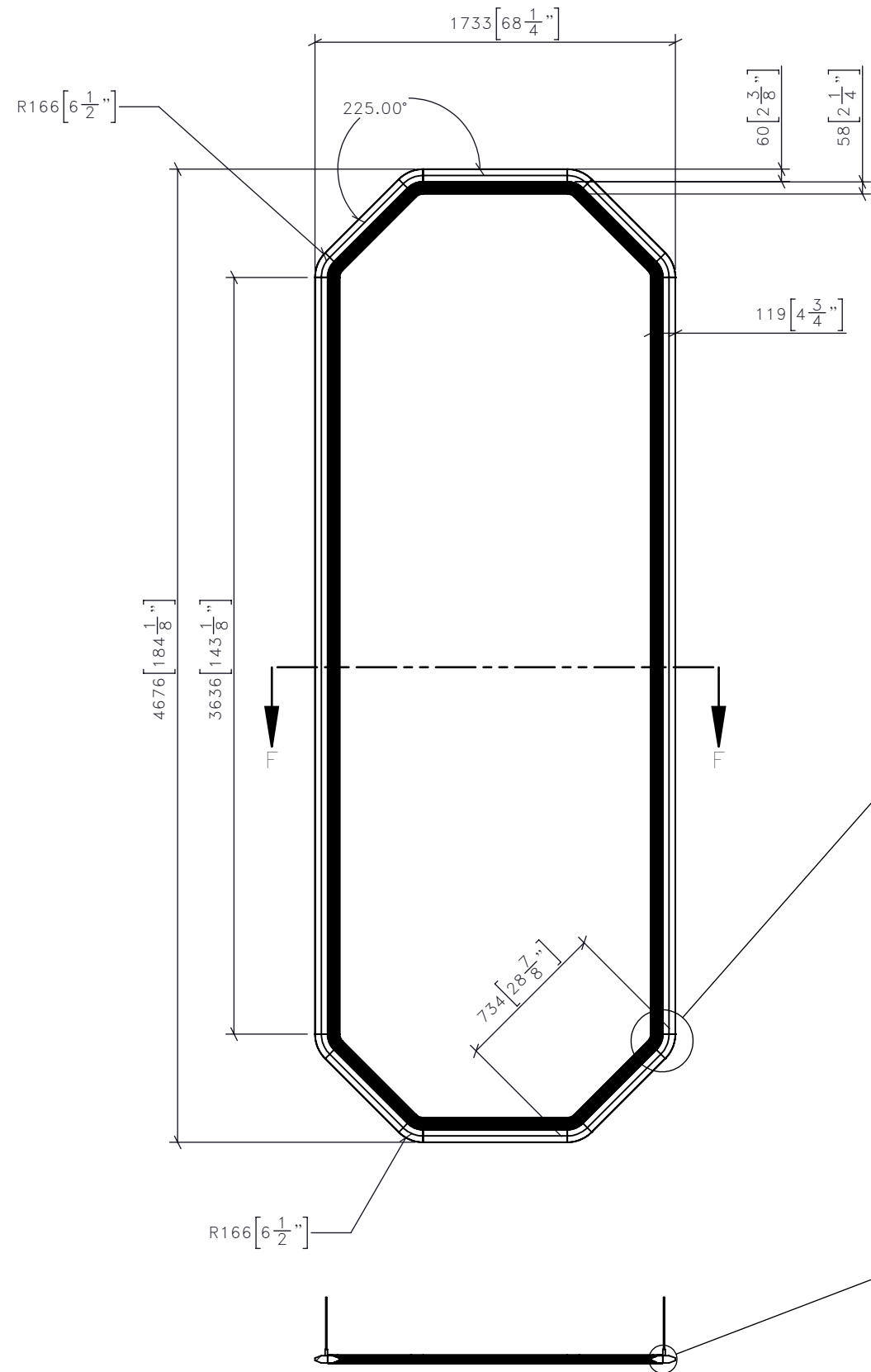
3 | LT-04 | VIP CHANDELIER
1:30 | ISOMETRIC FRONT

STUDIO MUNGE

FOR DESIGN INTENT ONLY

DRAWING ARE NOT TO BE SCALED. CONTRACTOR MUST CHECK AND VERIFY ALL JOB DIMENSIONS, DRAWINGS, DETAILS AND SPECIFICATIONS; AND REPORT ANY DISCREPANCIES TO DESIGNER BEFORE PROCEEDING WITH WORK.

-REV/	-ISSUED FOR	-DATE

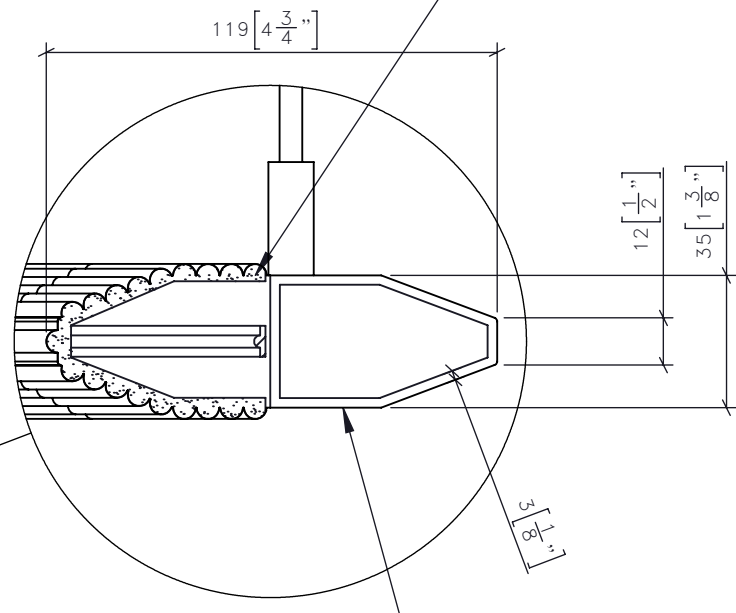


FF-ML-02
METAL LAMP BODY

R166 [6 1/2"]

FL-GL-02
CUSTOM GLASS
DIFFUSER
REEDED SURFACE
TEXTURE

INTERNALLY LIT WITH
CONTINUOUS LED
STRIP 27000K DIMMABLE
REMOTE DRIVER



HOLLOW METAL TUBING
FF-ML-02

**STUDIO
MUNGE**
25 WINGOLD AVENUE
TORONTO, ONTARIO
M6B 1P8 CANADA
416.588.1668
STUDIOMUNGE.COM

-SCALE AS NOTED	-DATE 2020-04-27
-DRAWN BY RC	-CHECKED BY

-PROJECT NAME
SHANGRILA NANNING

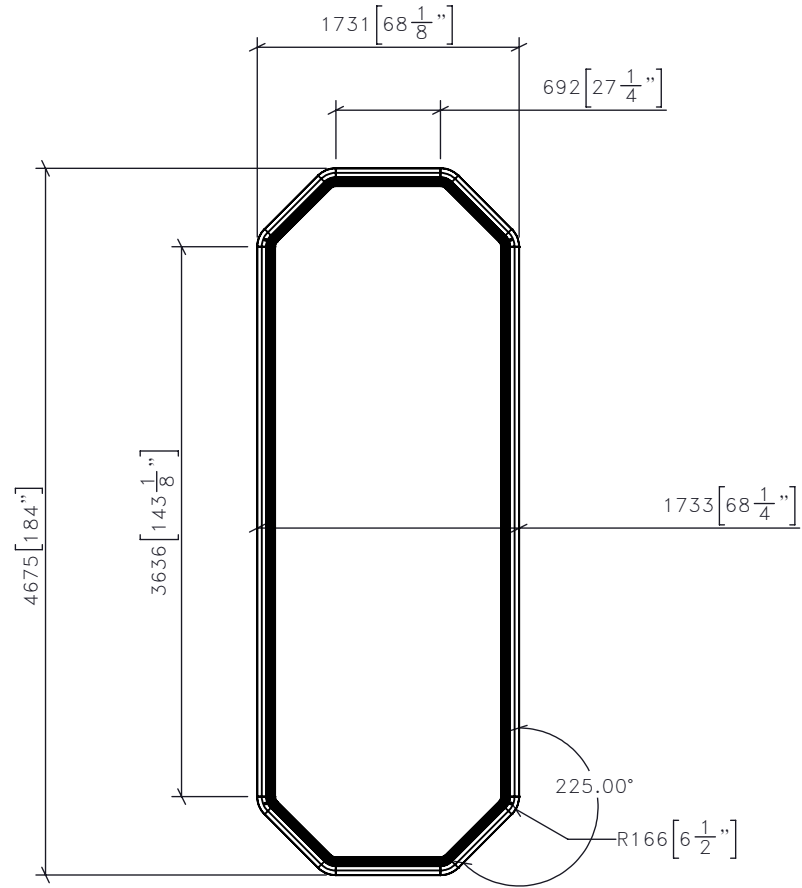
-DRAWING TITLE
**LT-04
VIP CHANDELIER**

-PROJECT NUMBER
16108

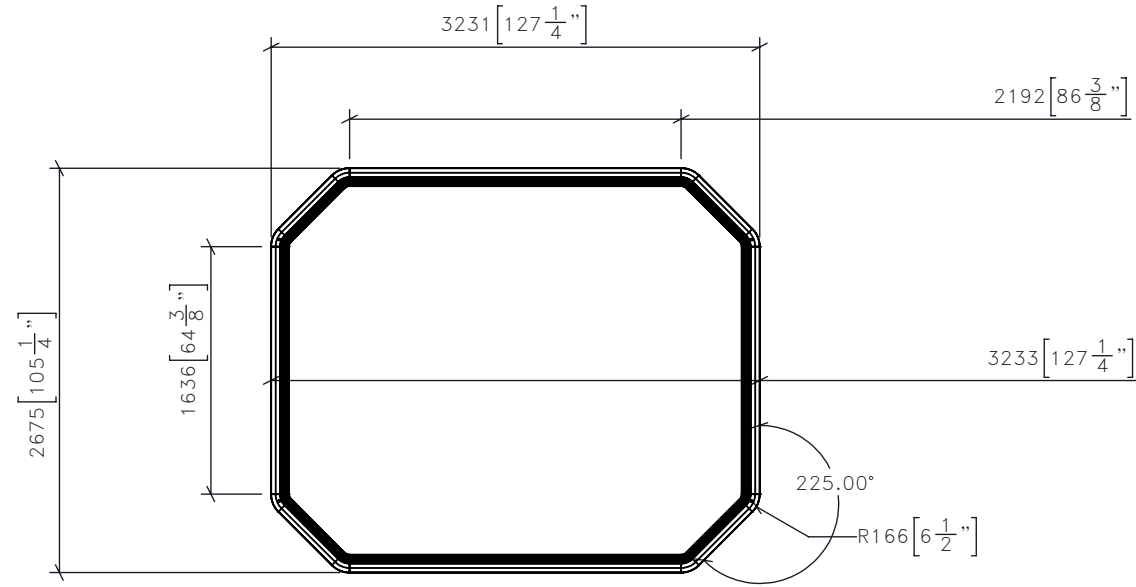
-DRAWING NUMBER
3 / 5

5 | LT-04 | VIP CHANDELIER
1:30 | MODULE DETAILS

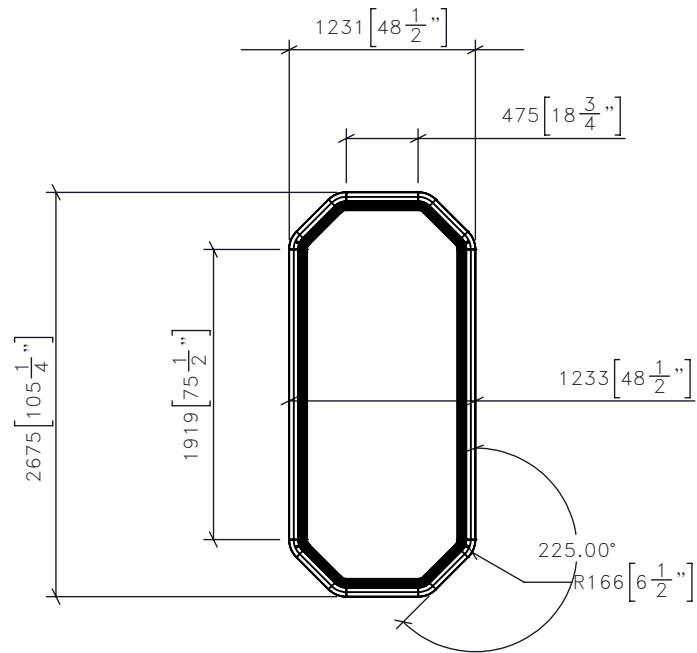
-REV/	-ISSUED FOR	-DATE



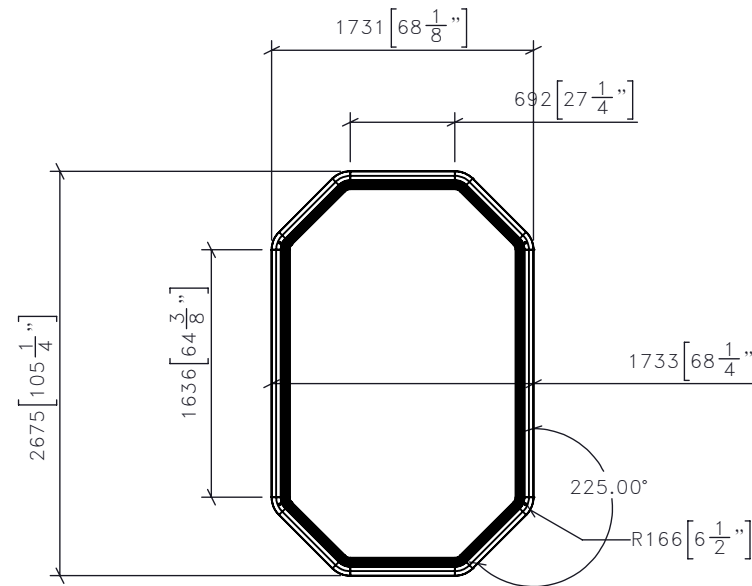
6 | LT-04 | VIP CHANDELIER: A
1:50 | PLAN



7 | LT-04 | VIP CHANDELIER: B
1:50 | PLAN



8 | LT-04 | VIP CHANDELIER: C
1:50 | PLAN



9 | LT-04 | VIP CHANDELIER: D
1:50 | PLAN

STUDIO MUNGE
25 WINGOLD AVENUE
TORONTO, ONTARIO
M6B 1P8 CANADA
416.588.1668
STUDIOMUNGE.COM

-SCALE AS NOTED
-DATE 2020-04-27

-DRAWN BY RC
-CHECKED BY

-PROJECT NAME
SHANGRILA NANNING

-DRAWING TITLE
LT-04
VIP CHANDELIER

-PROJECT NUMBER
16108

-DRAWING NUMBER
4 / 5

STUDIO MUNGE
E
D
C
B
A
Y

1 2 3 4 5 6

FOR DESIGN INTENT ONLY

DRAWING ARE NOT TO BE SCALED. CONTRACTOR MUST CHECK AND VERIFY ALL JOB DIMENSIONS, DRAWINGS, DETAILS AND SPECIFICATIONS; AND REPORT ANY DISCREPANCIES TO DESIGNER BEFORE PROCEEDING WITH WORK.

-REV/	-ISSUED FOR	-DATE

**STUDIO
MUNGE**
25 WINGOLD AVENUE
TORONTO, ONTARIO
M6B 1P8 CANADA
416.588.1668
STUDIOMUNGE.COM

-SCALE
AS NOTED

-DATE
2020-04-27

-DRAWN BY
RC

-CHECKED BY

-PROJECT NAME

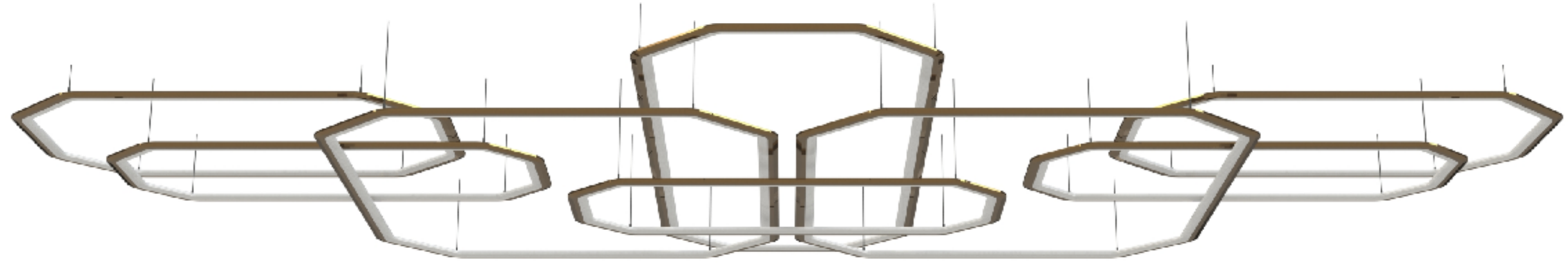
SHANGRILA NANNING

-DRAWING TITLE

LT-04
VIP CHANDELIER

-PROJECT NUMBER
16108

-DRAWING NUMBER
5 / 5



1 2 3 4 5 6