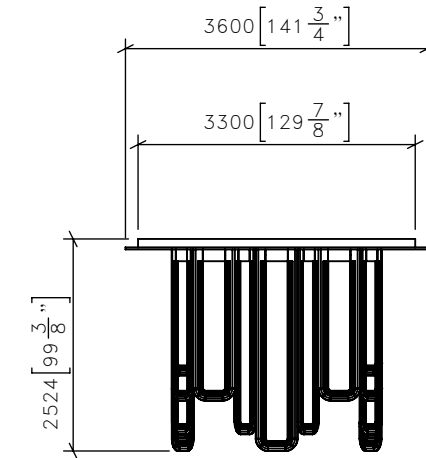
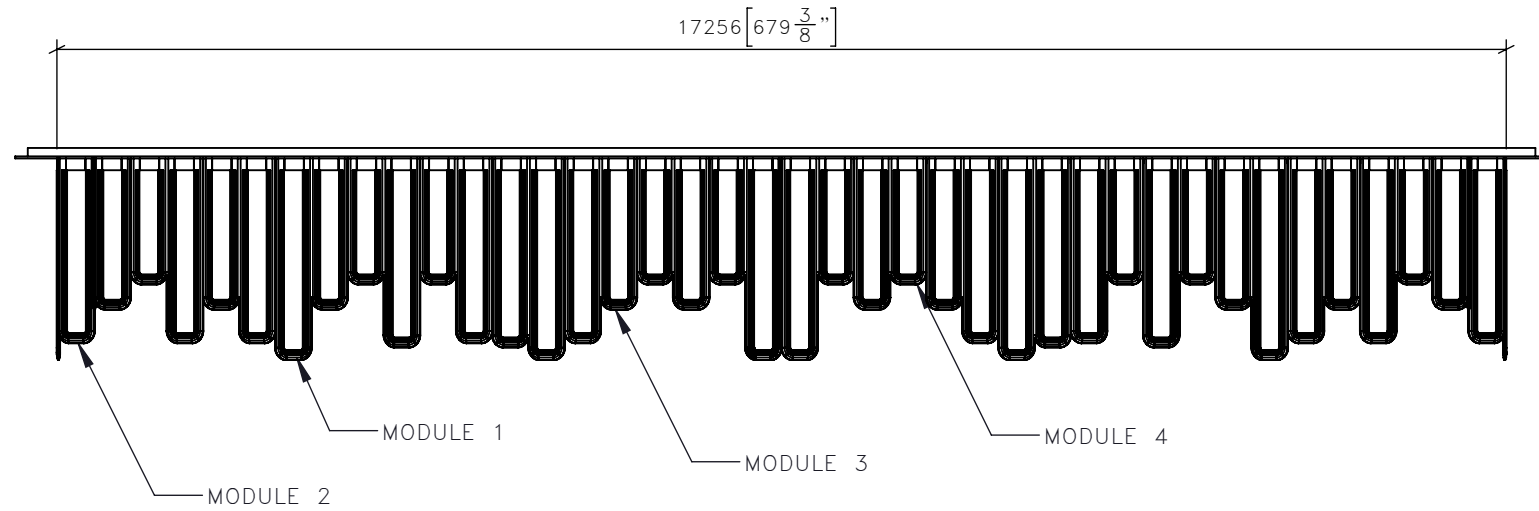


FOR DESIGN INTENT ONLY

DRAWING ARE NOT TO BE SCALED. CONTRACTOR MUST CHECK AND VERIFY ALL JOB DIMENSIONS, DRAWINGS, DETAILS AND SPECIFICATIONS; AND REPORT ANY DISCREPANCIES TO DESIGNER BEFORE PROCEEDING WITH WORK.

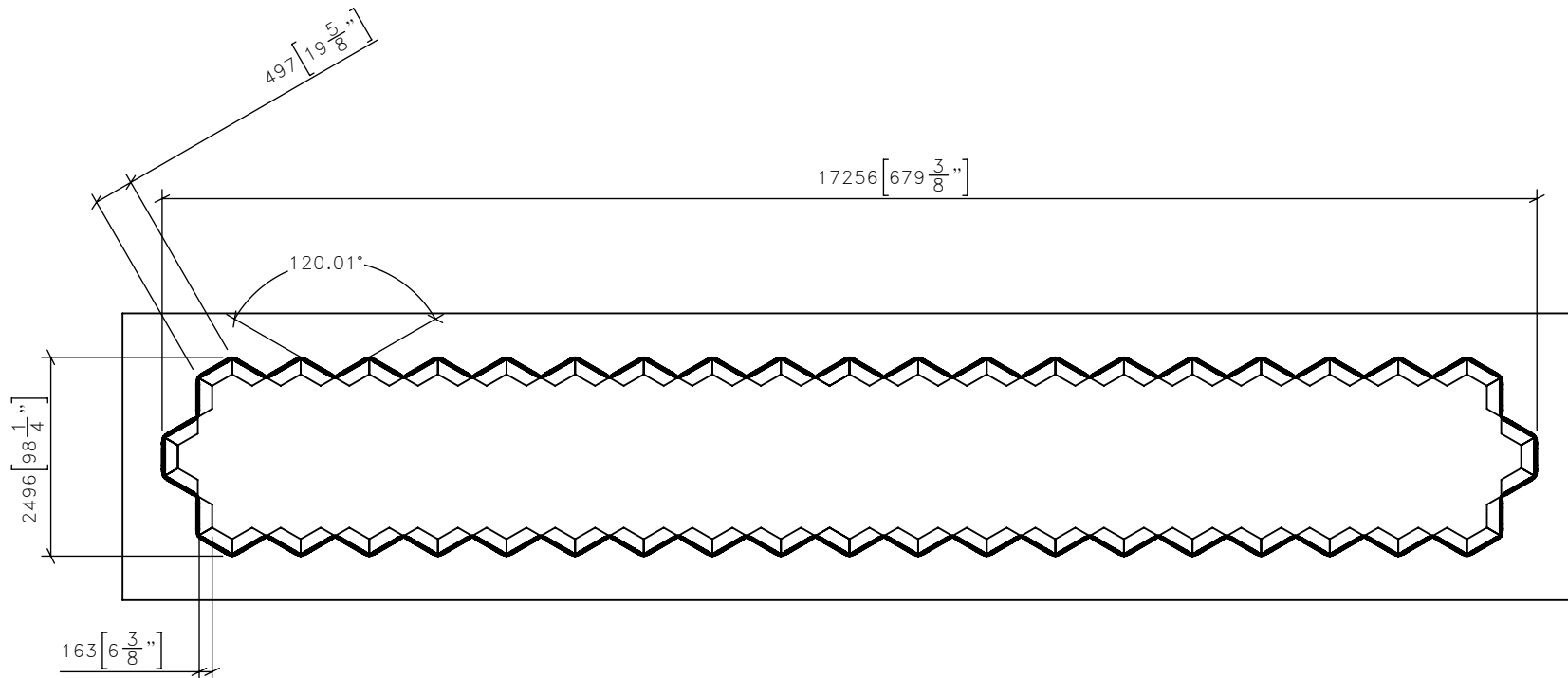
-REV/	-ISSUED FOR	-DATE



1 | LT-101 | GF ELEVATOR LOBBY FIXTURE
1:90 | SIDE ELEVATION

3 | LT-101 | GF ELEVATOR LOBBY FIXTURE
1:90 | FRONT ELEVATION

STUDIO MUNGE
25 WINGOLD AVENUE
TORONTO, ONTARIO
M6B 1P8 CANADA
416.588.1668
STUDIOMUNGE.COM

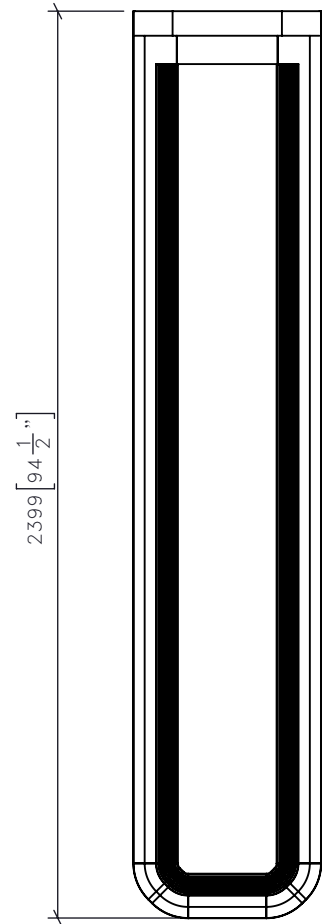
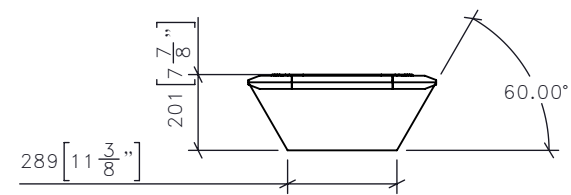


2 | LT-101 | GF ELEVATOR LOBBY FIXTURE
1:90 | PLAN

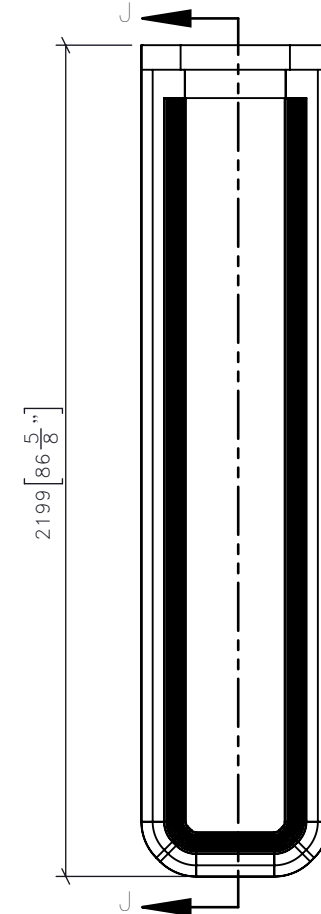
-SCALE AS NOTED	-DATE 1/29/19
-DRAWN BY AM	-CHECKED BY
-PROJECT NAME SHANGRILA NANNING	
-DRAWING TITLE LT-101 GF ELEVATOR LOBBY FIXTURE	
-PROJECT NUMBER 16108	
-DRAWING NUMBER 1 / 5	

FOR DESIGN INTENT ONLY

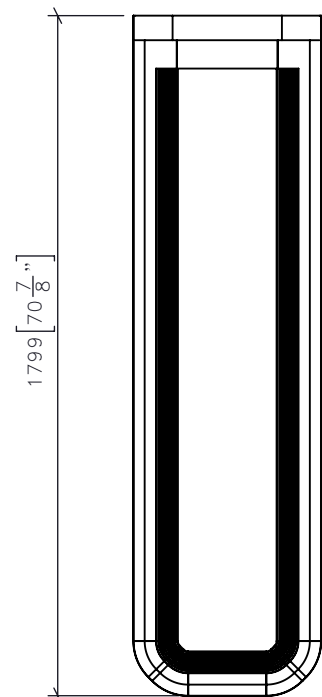
DRAWING ARE NOT TO BE SCALED. CONTRACTOR MUST CHECK AND VERIFY ALL JOB DIMENSIONS, DRAWINGS, DETAILS AND SPECIFICATIONS, AND REPORT ANY DISCREPANCIES TO DESIGNER BEFORE PROCEEDING WITH WORK.



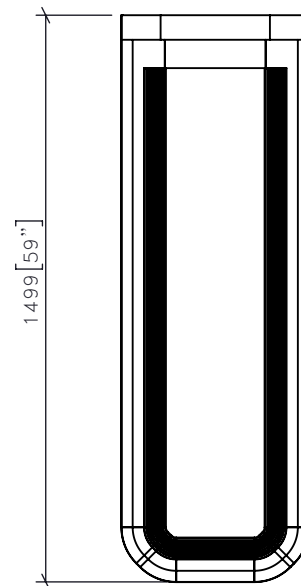
LIGHT FIXTURE MODULE 1



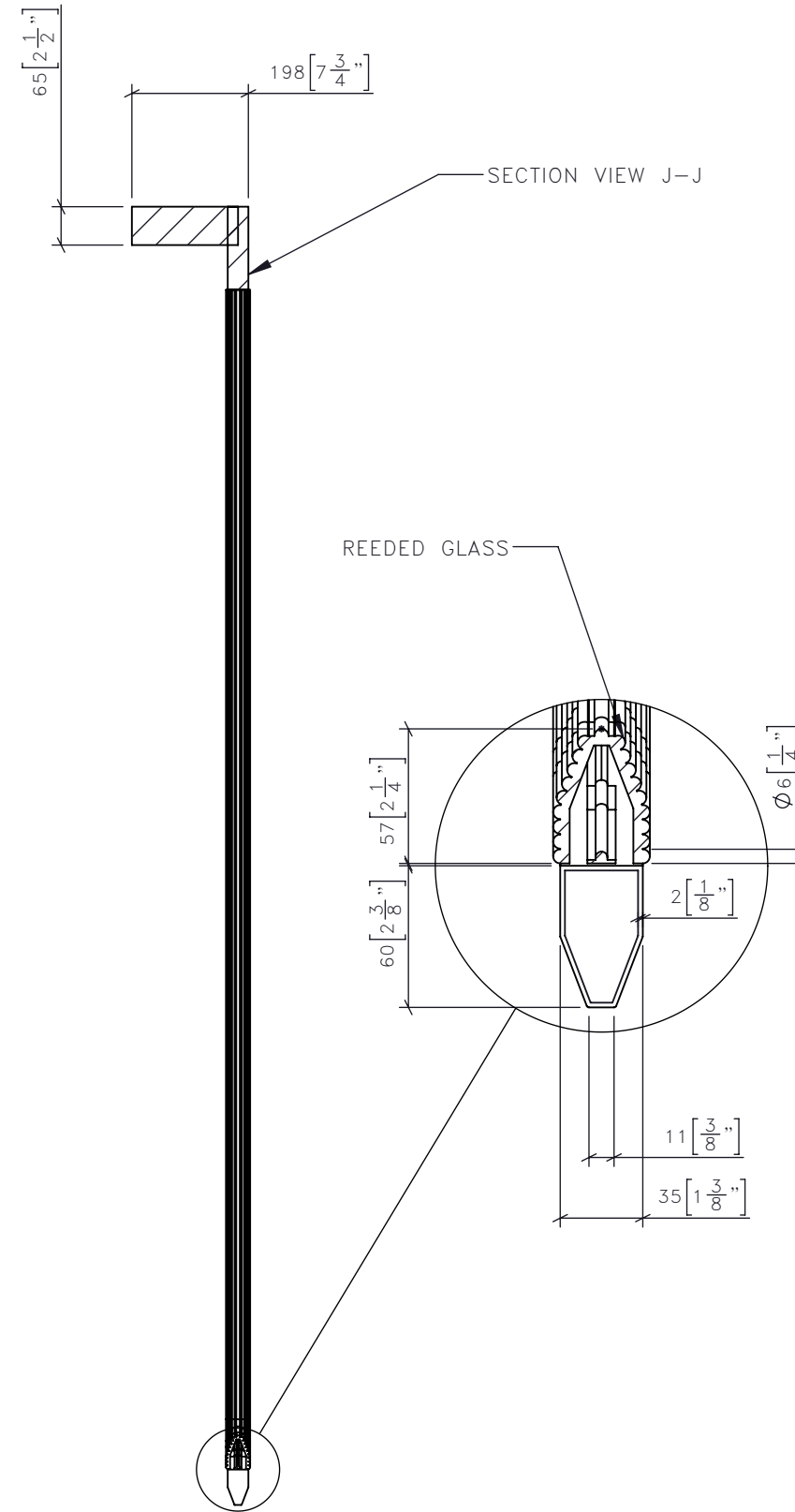
LIGHT FIXTURE MODULE 2



LIGHT FIXTURE MODULE 3



LIGHT FIXTURE MODULE 4



-REV/	-ISSUED FOR	-DATE

STUDIO MUNGE
 25 WINGOLD AVENUE
 TORONTO, ONTARIO
 M6B 1P8 CANADA
 416.588.1668
 STUDIOMUNGE.COM

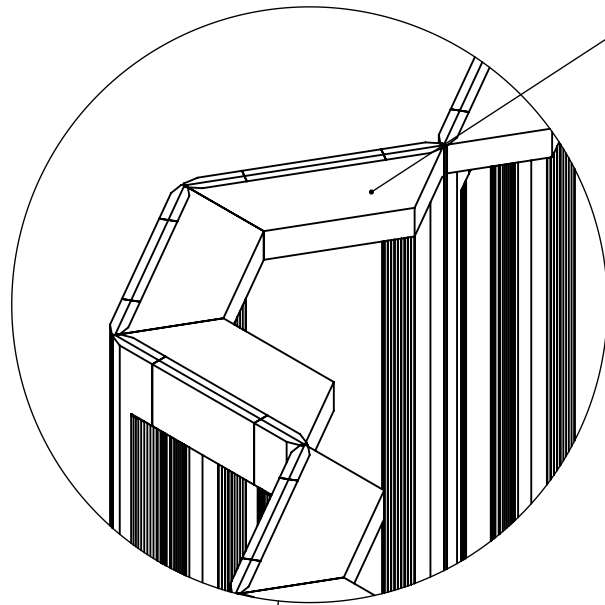
-SCALE AS NOTED	-DATE 1/29/19
-DRAWN BY AM	-CHECKED BY
-PROJECT NAME SHANGRILA NANNING	
-DRAWING TITLE LT-101 GF ELEVATOR LOBBY FIXTURE	
-PROJECT NUMBER 16108	
-DRAWING NUMBER 2 / 5	

-REV/	-ISSUED FOR	-DATE

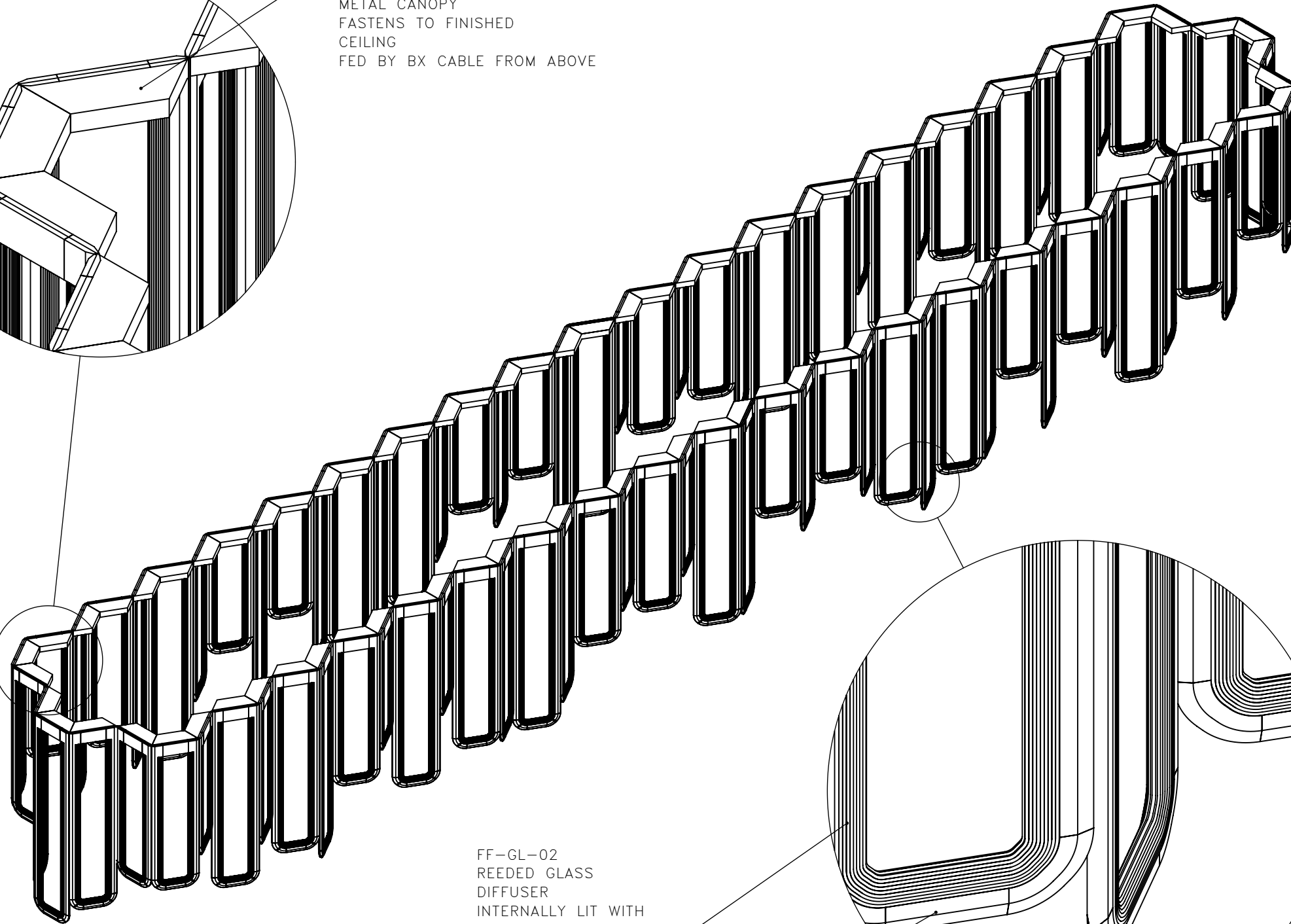
STUDIO
MUNGE

25 WINGOLD AVENUE
TORONTO, ONTARIO
M6B 1P8 CANADA
416.588.1668
STUDIOMUNGE.COM

-SCALE AS NOTED	-DATE 1/29/19
-DRAWN BY AM	-CHECKED BY
-PROJECT NAME	
SHANGRILA NANNING	
-DRAWING TITLE	
LT-01 GF ELEVATOR LOBBY FIXTURE	
-PROJECT NUMBER	
16108	
-DRAWING NUMBER	
3 / 5	

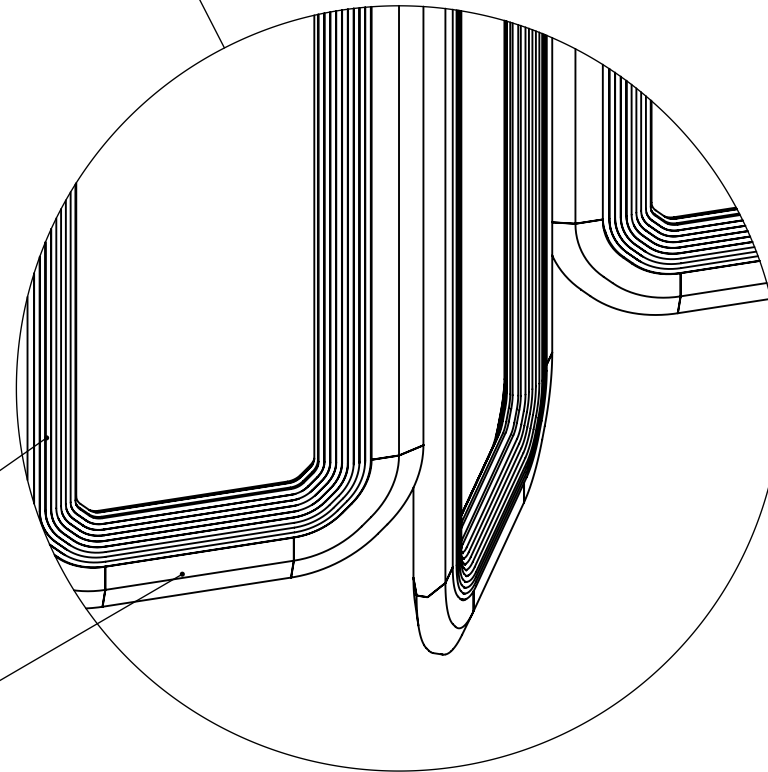


FF-ML-02
METAL CANOPY
FASTENS TO FINISHED
CEILING
FED BY BX CABLE FROM ABOVE



FF-GL-02
REEDED GLASS
DIFFUSER
INTERNALLY LIT WITH
CONTINOUS LED STRIP

FF-ML-02
HOLLOW METAL
FRAME

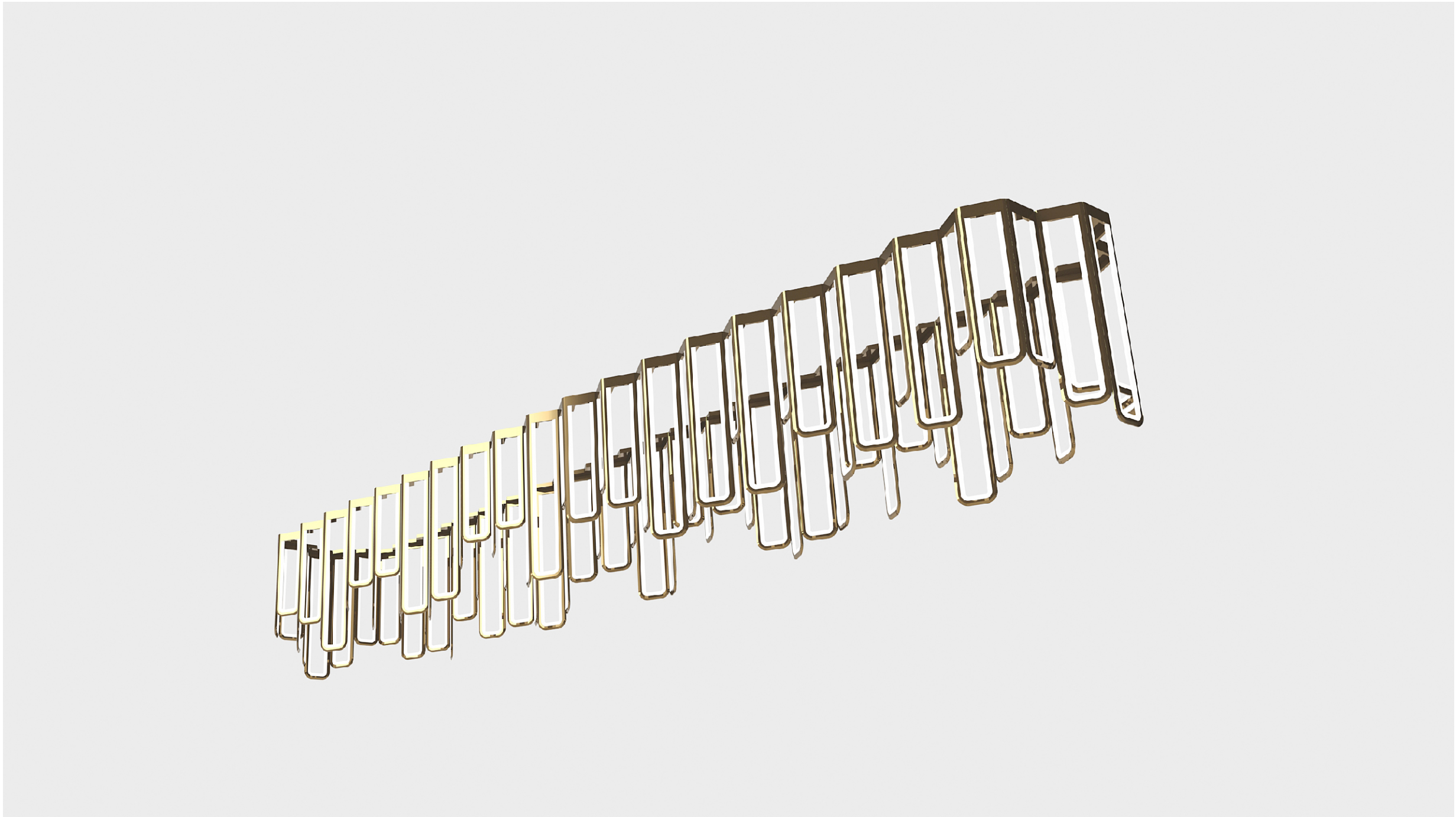


4 | LT-101 | GF ELEVATOR LOBBY FIXTURE
1:50 | ISOMETRIC FRONT

FOR DESIGN INTENT ONLY

DRAWING ARE NOT TO BE SCALED. CONTRACTOR MUST CHECK AND VERIFY ALL JOB DIMENSIONS, DRAWINGS, DETAILS AND SPECIFICATIONS; AND REPORT ANY DISCREPANCIES TO DESIGNER BEFORE PROCEEDING WITH WORK.

-REV/	-ISSUED FOR	-DATE



STUDIO MUNGE
 25 WINGOLD AVENUE
 TORONTO, ONTARIO
 M6B 1P8 CANADA
 416.588.1668
 STUDIOMUNGE.COM

-SCALE
AS NOTED

-DATE
1/29/19

-DRAWN BY
AM

-CHECKED BY

-PROJECT NAME

SHANGRILA NANNING

-DRAWING TITLE

LT-01
GF ELEVATOR LOBBY FIXTURE

-PROJECT NUMBER
16108

-DRAWING NUMBER
4 / 5

STUDIO MUNGE

FOR DESIGN INTENT ONLY

DRAWING ARE NOT TO BE SCALED. CONTRACTOR MUST CHECK AND VERIFY ALL JOB DIMENSIONS, DRAWINGS, DETAILS AND SPECIFICATIONS; AND REPORT ANY DISCREPANCIES TO DESIGNER BEFORE PROCEEDING WITH WORK.

-REV/	-ISSUED FOR	-DATE

STUDIO MUNGE
 25 WINGOLD AVENUE
 TORONTO, ONTARIO
 M6B 1P8 CANADA
 416.588.1668
 STUDIOMUNGE.COM

-SCALE
AS NOTED

-DATE
1/29/19

-DRAWN BY
AM

-CHECKED BY

-PROJECT NAME

SHANGRILA NANNING

-DRAWING TITLE

LT-01
GF ELEVATOR LOBBY FIXTURE

-PROJECT NUMBER
16108

-DRAWING NUMBER
5 / 5

