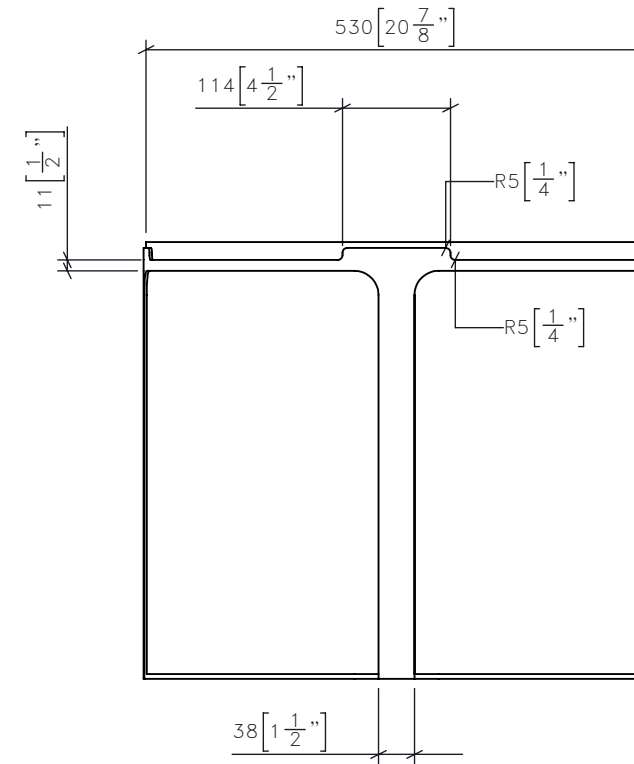
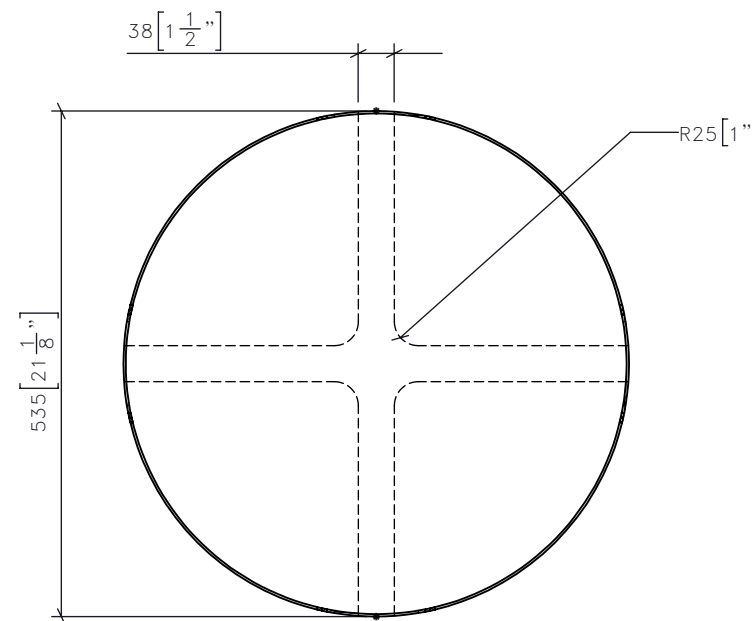


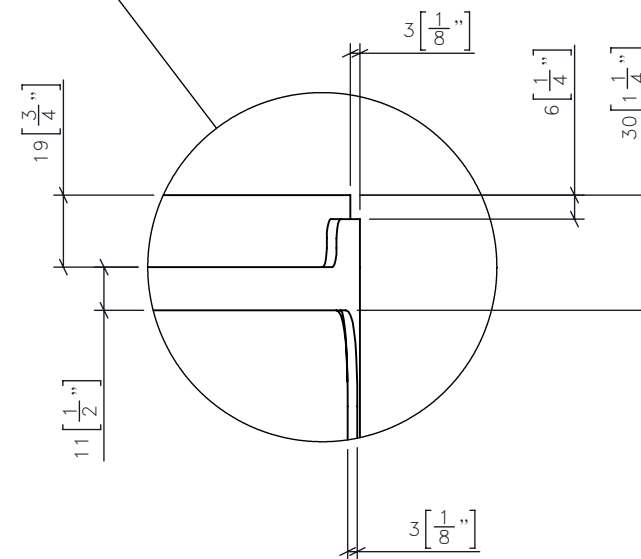
1 CG-09 BRIDAL SUITE SIDE TABLE
1:8 FRONT ELEVATION



3 CG-09 BRIDAL SUITE SIDE TABLE
1:8 SIDE ELEVATION



2 CG-09 BRIDAL SUITE SIDE TABLE
1:8 PLAN



-REV/	-ISSUED FOR	-DATE

STUDIO MUNGE
 25 WINGOLD AVENUE
 TORONTO, ONTARIO
 M6B 1P8 CANADA
 416.588.1668
 STUDIOMUNGE.COM

-SCALE AS NOTED
 -DATE 2020-04-22

-DRAWN BY RC
 -CHECKED BY

-PROJECT NAME
 SHANGRI-LA NANNING

-DRAWING TITLE
 CG-09 BRIDAL SUITE SIDE TABLE

-PROJECT NUMBER
 16108

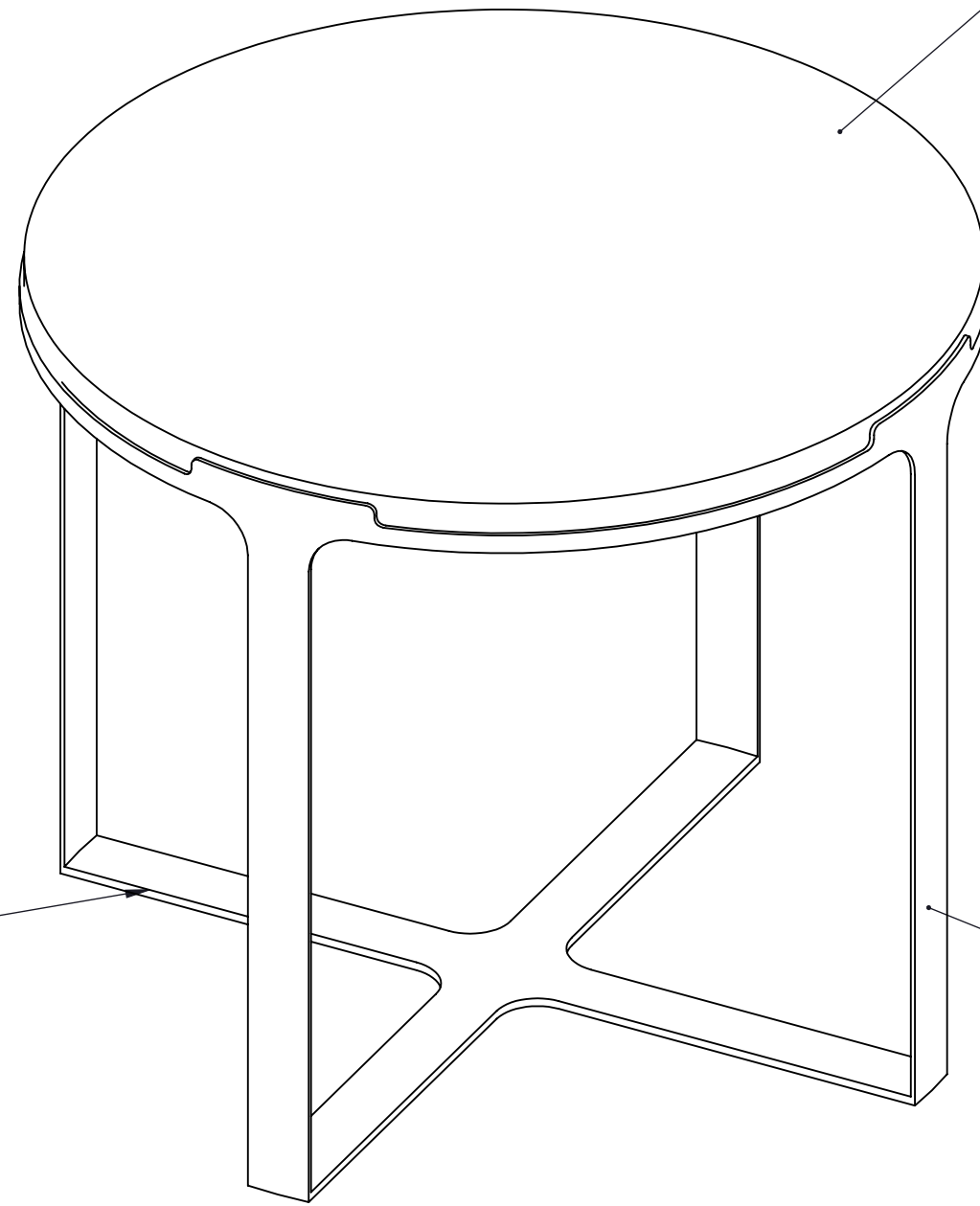
-DRAWING NUMBER
 1 / 3

STUDIO MUNGE
X
Y
A
B
C
D
E
F
G
H
I
J
K
L
M
N
O
P
Q
R
S
T
U
V
W
X
Y

FOR DESIGN INTENT ONLY

DRAWING ARE NOT TO BE SCALED. CONTRACTOR MUST CHECK AND VERIFY ALL JOB DIMENSIONS, DRAWINGS, DETAILS AND SPECIFICATIONS; AND REPORT ANY DISCREPANCIES TO DESIGNER BEFORE PROCEEDING WITH WORK.

-REV/	-ISSUED FOR	-DATE



FF-ST-03
POLISHED STONE TOP

TREATED WITH STAIN
RESISTANT PROTECTION

EASE EDGES

ADD GLIDES AS NEEDED

FF-ML-05
5MM
METAL FRAMING

NOTE: ALL WELDS TO BE CLEANED/FLUSH
EASE ALL EDGES

**STUDIO
MUNGE**
25 WINGOLD AVENUE
TORONTO, ONTARIO
M6B 1P8 CANADA
416.588.1668
STUDIOMUNGE.COM

-SCALE AS NOTED
-DATE 2020-04-22

-DRAWN BY RC
-CHECKED BY

-PROJECT NAME
SHANGRI-LA NANNING

-DRAWING TITLE
CG-09
BRIDAL SUITE SIDE TABLE

-PROJECT NUMBER
16108

-DRAWING NUMBER
2 / 3

4	CG-09	BRIDAL SUITE SIDE TABLE ISOMETRIC FRONT
	1:4	

STUDIO MUNGE
E
F
D
C
B
A
Y

FOR DESIGN INTENT ONLY

DRAWING ARE NOT TO BE SCALED. CONTRACTOR MUST CHECK AND VERIFY ALL JOB DIMENSIONS, DRAWINGS, DETAILS AND SPECIFICATIONS; AND REPORT ANY DISCREPANCIES TO DESIGNER BEFORE PROCEEDING WITH WORK.



5	CG-09	BRIDAL SUITE SIDE TABLE RENDERED VIEW
	1:6	

-REV/	-ISSUED FOR	-DATE

**STUDIO
MUNGE**
25 WINGOLD AVENUE
TORONTO, ONTARIO
M6B 1P8 CANADA
416.588.1668
STUDIOMUNGE.COM

-SCALE AS NOTED	-DATE 2020-04-22
-DRAWN BY RC	-CHECKED BY
-PROJECT NAME SHANGRI-LA NANNING	
-DRAWING TITLE CG-09 BRIDAL SUITE SIDE TABLE	
-PROJECT NUMBER 16108	
-DRAWING NUMBER 3 / 3	