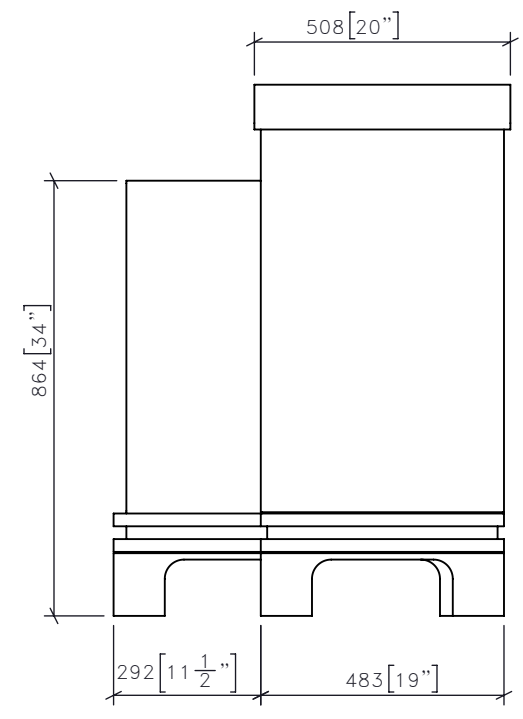
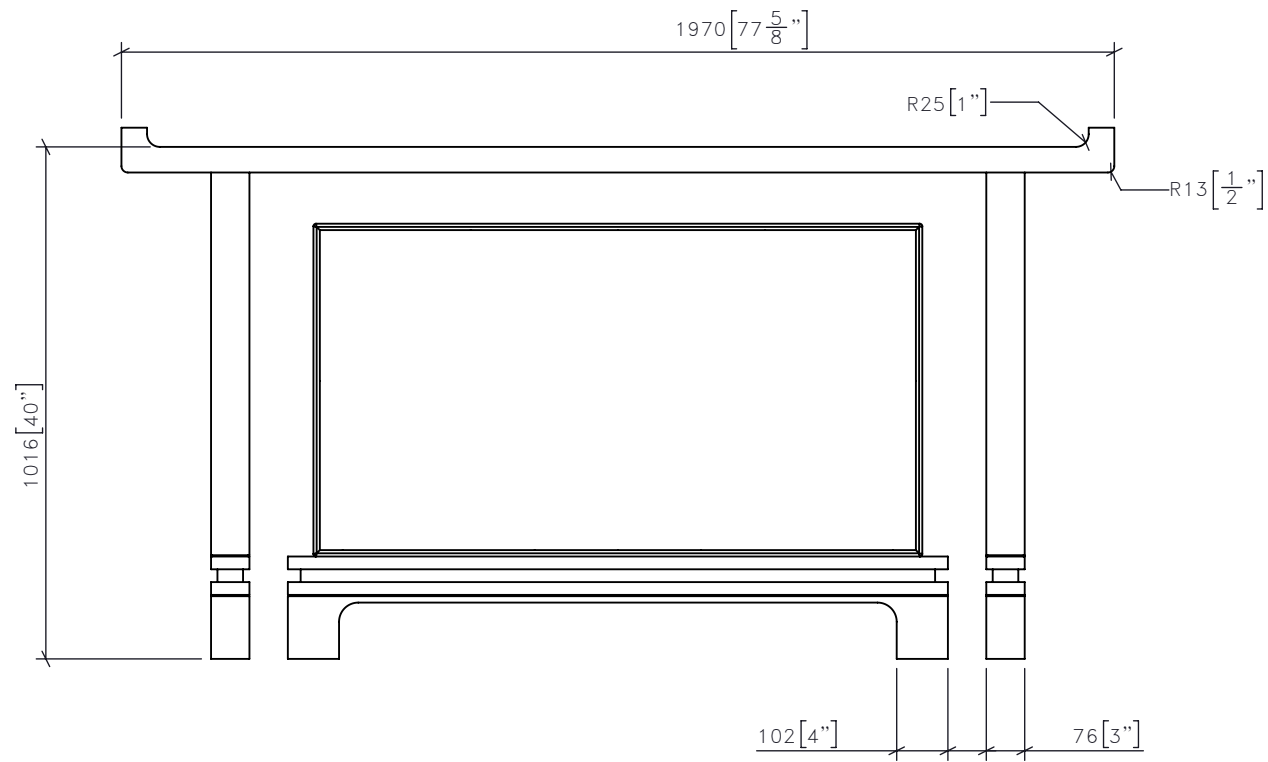


-REV/	-ISSUED FOR	-DATE



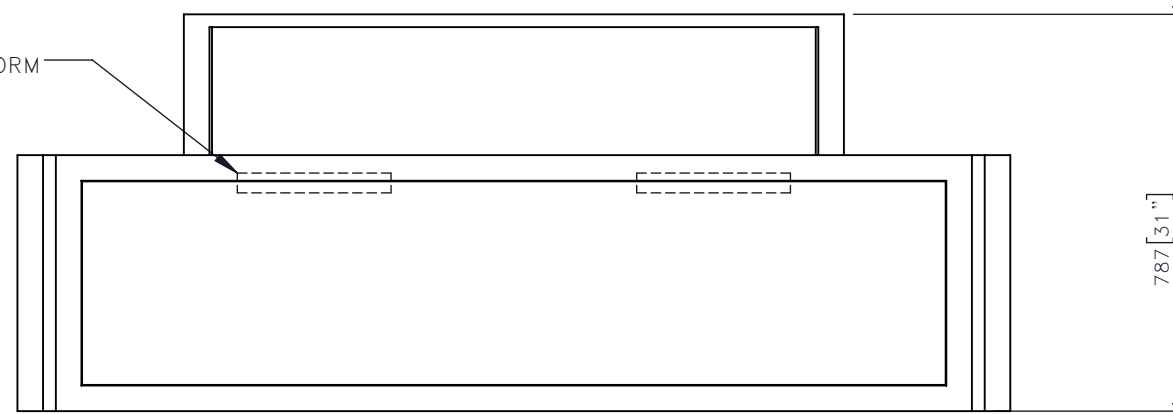
STUDIO MUNGE
 25 WINGOLD AVENUE
 TORONTO, ONTARIO
 M6B 1P8 CANADA
 416.588.1668
 STUDIOMUNGE.COM

-SCALE	AS NOTED	-DATE	4/27/20
-DRAWN BY	RC	-CHECKED BY	
-PROJECT NAME			
SHANGRI-LA NANNING			
-DRAWING TITLE			
CG-XX RECEPTION DESK			
-PROJECT NUMBER			
16108			
-DRAWING NUMBER			
1 / 7			

1 | CG-XX | RECEPTION DESK
1:15 | FRONT ELEVATION

3 | CG-XX | RECEPTION DESK
1:15 | SIDE ELEVATION

MOCKETTE LOCATED
BELOW UPPER PLATFORM

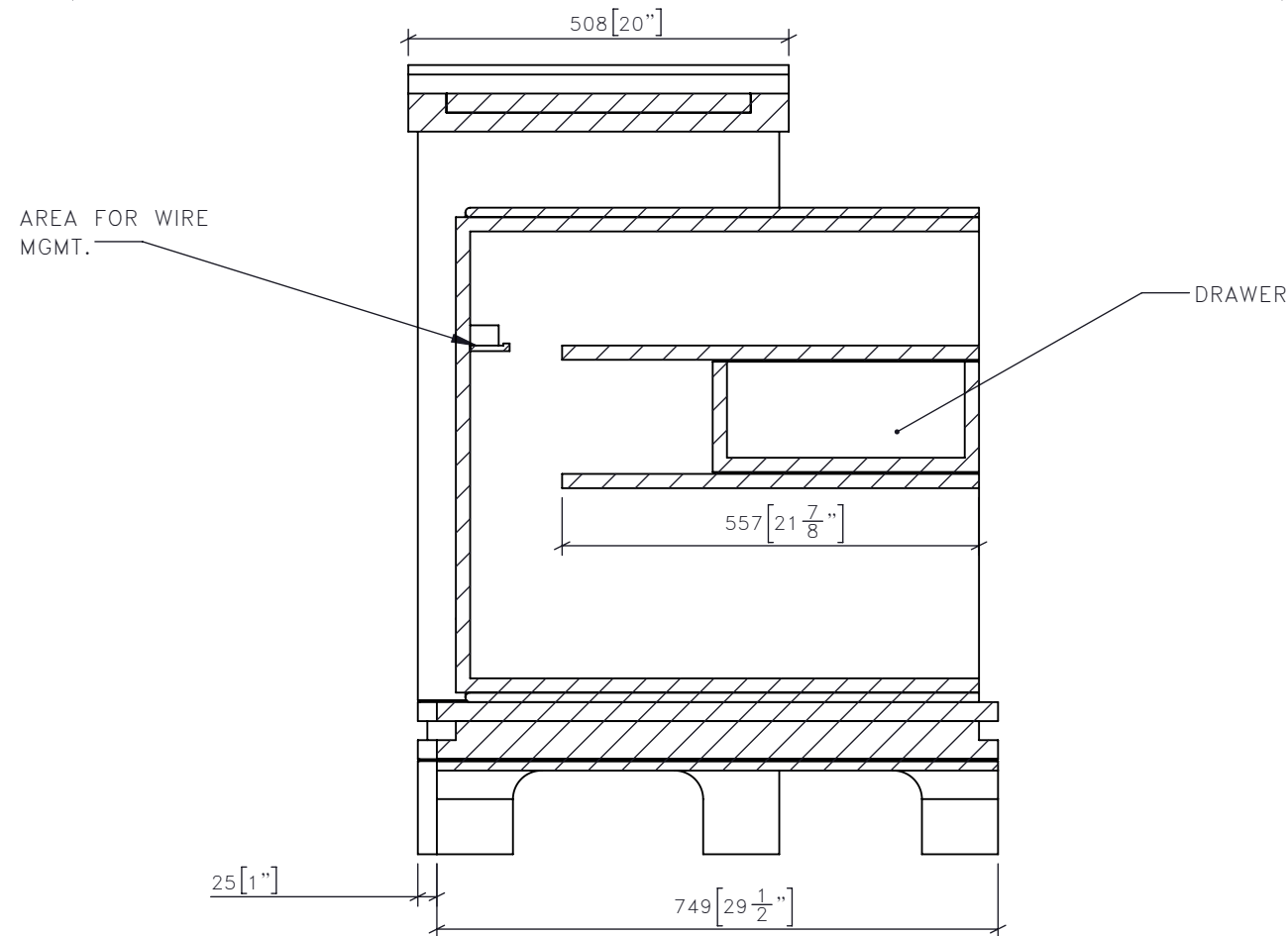
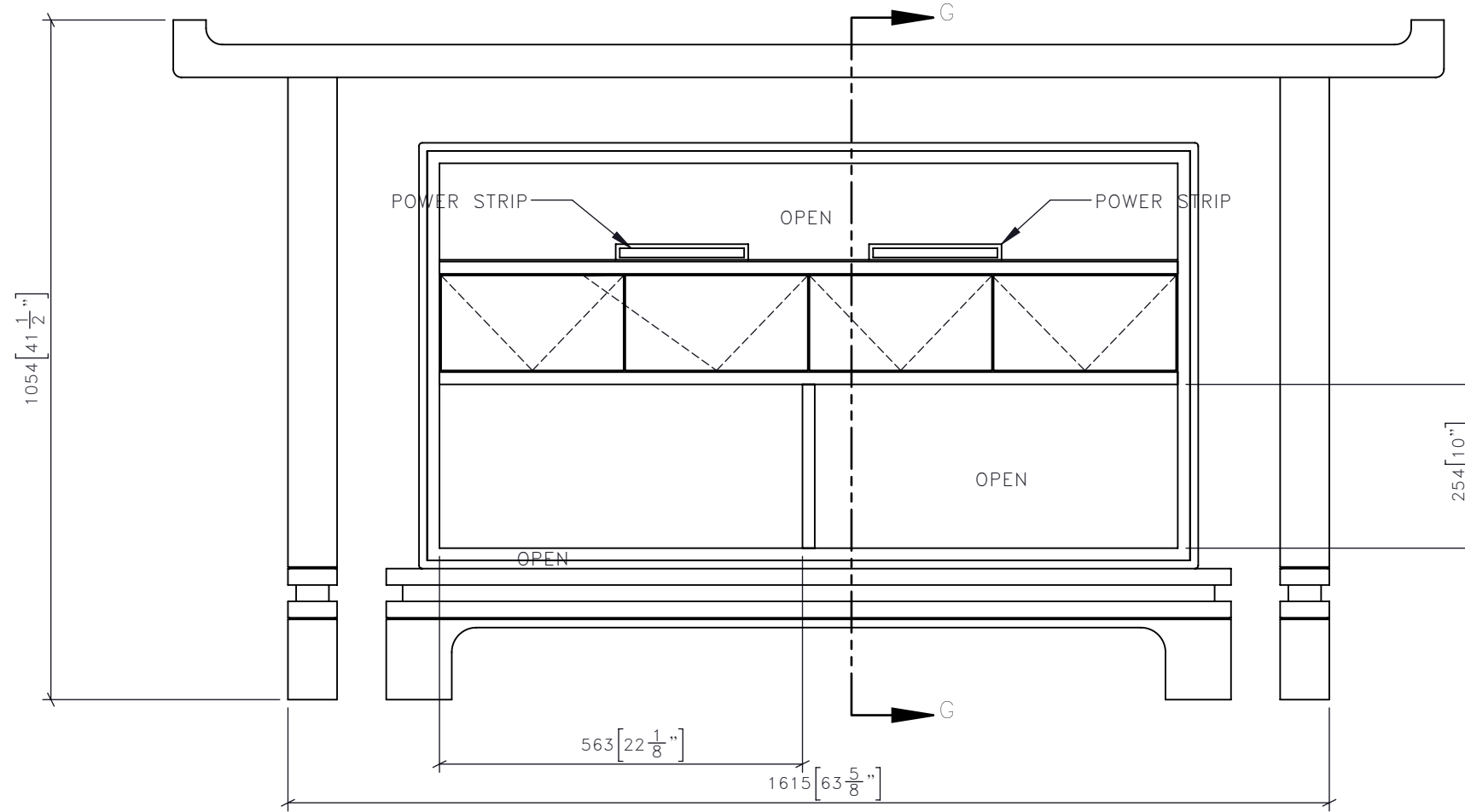


2 | CG-XX | RECEPTION DESK
1:15 | PLAN

STUDIO MUNGE

FOR DESIGN INTENT ONLY

DRAWING ARE NOT TO BE SCALED. CONTRACTOR MUST CHECK AND VERIFY ALL JOB DIMENSIONS, DRAWINGS, DETAILS AND SPECIFICATIONS; AND REPORT ANY DISCREPANCIES TO DESIGNER BEFORE PROCEEDING WITH WORK.



-REV/	-ISSUED FOR	-DATE

STUDIO MUNGE
 25 WINGOLD AVENUE
 TORONTO, ONTARIO
 M6B 1P8 CANADA
 416.588.1668
 STUDIOMUNGE.COM

-SCALE AS NOTED	-DATE 4/27/20
-DRAWN BY RC	-CHECKED BY
-PROJECT NAME SHANGRI-LA NANNING	
-DRAWING TITLE CG-XX RECEPTION DESK	
-PROJECT NUMBER 16108	
-DRAWING NUMBER 2 / 7	

STUDIO MUNGE

FOR DESIGN INTENT ONLY

DRAWING ARE NOT TO BE SCALED. CONTRACTOR MUST CHECK AND VERIFY ALL JOB DIMENSIONS, DRAWINGS, DETAILS AND SPECIFICATIONS; AND REPORT ANY DISCREPANCIES TO DESIGNER BEFORE PROCEEDING WITH WORK.

-REV/	-ISSUED FOR	-DATE

STUDIO MUNGE
 25 WINGOLD AVENUE
 TORONTO, ONTARIO
 M6B 1P8 CANADA
 416.588.1668
 STUDIOMUNGE.COM

-SCALE AS NOTED	-DATE 4/27/20
-DRAWN BY RC	-CHECKED BY
-PROJECT NAME SHANGRI-LA NANNING	
-DRAWING TITLE CG-XX RECEPTION DESK	
-PROJECT NUMBER 16108	
-DRAWING NUMBER 3 / 7	

FF-WD-XX
FULL CARVED
HARDWOOD

SGF-XXA
INSET LEATHER
PAD

LOCKING
CASH DRAWER
LAMINATE INTERIOR
CASEWORK ALL INTERIOR
COMPONENTS

MOCKETTE FOR
WIRE MGMT

FF-WD-XX
FULL CARVED
HARDWOOD

FF-WD-XX
FULL CARVED
HARDWOOD

SGF-XXA
INSET LEATHER
PAD

5 CG-XX RECEPTION DESK
1:15 ISOMETRIC REAR

FF-ST-XX
STONE COUNTER
CABINET

FF-WD-XX
FULL CARVED
HARDWOOD

FF-ST-XX
BOOKMATCHED STONE
PATTERN

4 CG-XX RECEPTION DESK
1:15 ISOMETRIC FRONT

STUDIO MUNGE
E
F
D
C
B
A
Y

FOR DESIGN INTENT ONLY

DRAWING ARE NOT TO BE SCALED. CONTRACTOR MUST CHECK AND VERIFY ALL JOB DIMENSIONS, DRAWINGS, DETAILS AND SPECIFICATIONS; AND REPORT ANY DISCREPANCIES TO DESIGNER BEFORE PROCEEDING WITH WORK.

-REV/	-ISSUED FOR	-DATE



**STUDIO
MUNGE**
25 WINGOLD AVENUE
TORONTO, ONTARIO
M6B 1P8 CANADA
416.588.1668
STUDIOMUNGE.COM

-SCALE
AS NOTED

-DATE
4/27/20

-DRAWN BY
RC

-CHECKED BY

-PROJECT NAME

SHANGRI-LA NANNING

-DRAWING TITLE

CG-XX
RECEPTION DESK

-PROJECT NUMBER
16108

-DRAWING NUMBER
4 / 7

4 | CG-XX | RECEPTION DESK
1:15 | Drawing View3

STUDIO MUNGE
E
D
C
B
A
Y



FOR DESIGN INTENT ONLY

DRAWING ARE NOT TO BE SCALED. CONTRACTOR MUST CHECK AND VERIFY ALL JOB DIMENSIONS, DRAWINGS, DETAILS AND SPECIFICATIONS; AND REPORT ANY DISCREPANCIES TO DESIGNER BEFORE PROCEEDING WITH WORK.

-REV/	-ISSUED FOR	-DATE

**STUDIO
MUNGE**
25 WINGOLD AVENUE
TORONTO, ONTARIO
M6B 1P8 CANADA
416.588.1668
STUDIOMUNGE.COM

-SCALE
AS NOTED

-DATE
4/27/20

-DRAWN BY
RC

-CHECKED BY

-PROJECT NAME

SHANGRI-LA NANNING

-DRAWING TITLE

CG-XX
RECEPTION DESK

-PROJECT NUMBER
16108

-DRAWING NUMBER
5 / 7

4 | CG-XX | **RECEPTION DESK**
1:15 | Drawing View4

STUDIO MUNGE
E
F
D
C
B
A
Y

FOR DESIGN INTENT ONLY

DRAWING ARE NOT TO BE SCALED. CONTRACTOR MUST CHECK AND VERIFY ALL JOB DIMENSIONS, DRAWINGS, DETAILS AND SPECIFICATIONS; AND REPORT ANY DISCREPANCIES TO DESIGNER BEFORE PROCEEDING WITH WORK.



-REV/	-ISSUED FOR	-DATE

**STUDIO
MUNGE**
25 WINGOLD AVENUE
TORONTO, ONTARIO
M6B 1P8 CANADA
416.588.1668
STUDIOMUNGE.COM

-SCALE
AS NOTED

-DATE
4/27/20

-DRAWN BY
RC

-CHECKED BY

-PROJECT NAME

SHANGRI-LA NANNING

-DRAWING TITLE

CG-XX
RECEPTION DESK

-PROJECT NUMBER
16108

-DRAWING NUMBER
6 / 7

4 | CG-XX | **RECEPTION DESK**
1:15 | Drawing View5

STUDIO MUNGE
E
F
D
C
B
A
Y

FOR DESIGN INTENT ONLY

DRAWING ARE NOT TO BE SCALED. CONTRACTOR MUST CHECK AND VERIFY ALL JOB DIMENSIONS, DRAWINGS, DETAILS AND SPECIFICATIONS; AND REPORT ANY DISCREPANCIES TO DESIGNER BEFORE PROCEEDING WITH WORK.

-REV/	-ISSUED FOR	-DATE



**STUDIO
MUNGE** 25 WINGOLD AVENUE
TORONTO, ONTARIO
M6B 1P8 CANADA
416.588.1668
STUDIOMUNGE.COM

-SCALE AS NOTED **-DATE** 4/27/20

-DRAWN BY RC **-CHECKED BY**

-PROJECT NAME
SHANGRI-LA NANNING

-DRAWING TITLE
CG-XX
RECEPTION DESK

-PROJECT NUMBER
16108

-DRAWING NUMBER
7 / 7

4	CG-XX	RECEPTION DESK
	1:15	Drawing View6