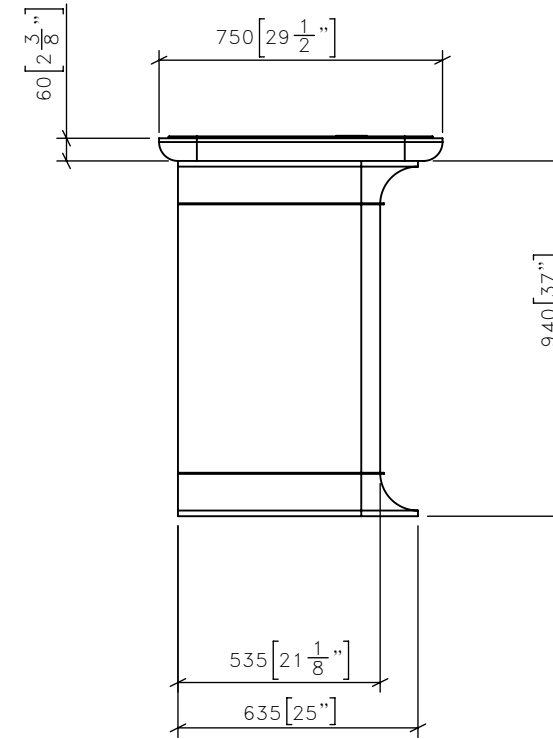
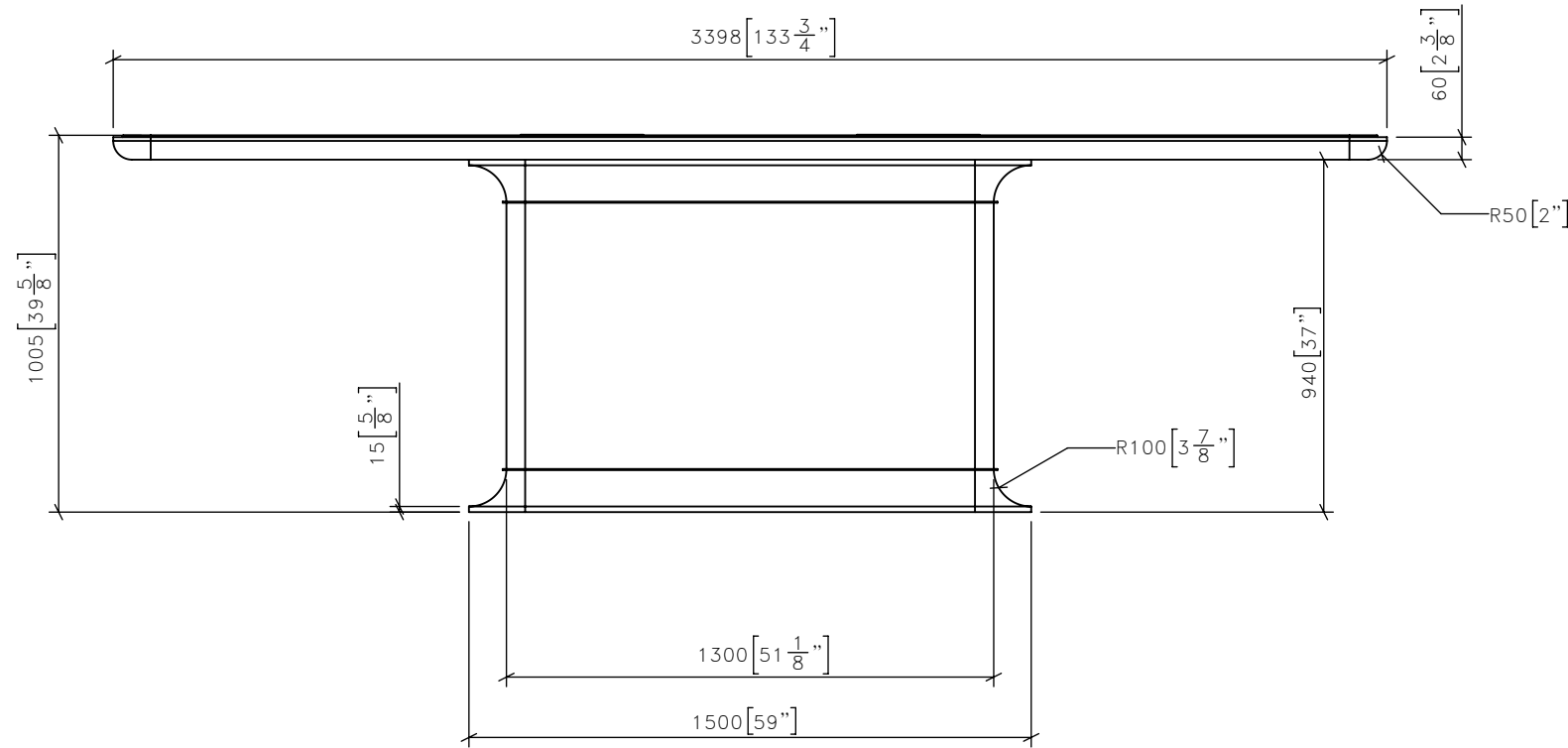


FOR DESIGN INTENT ONLY

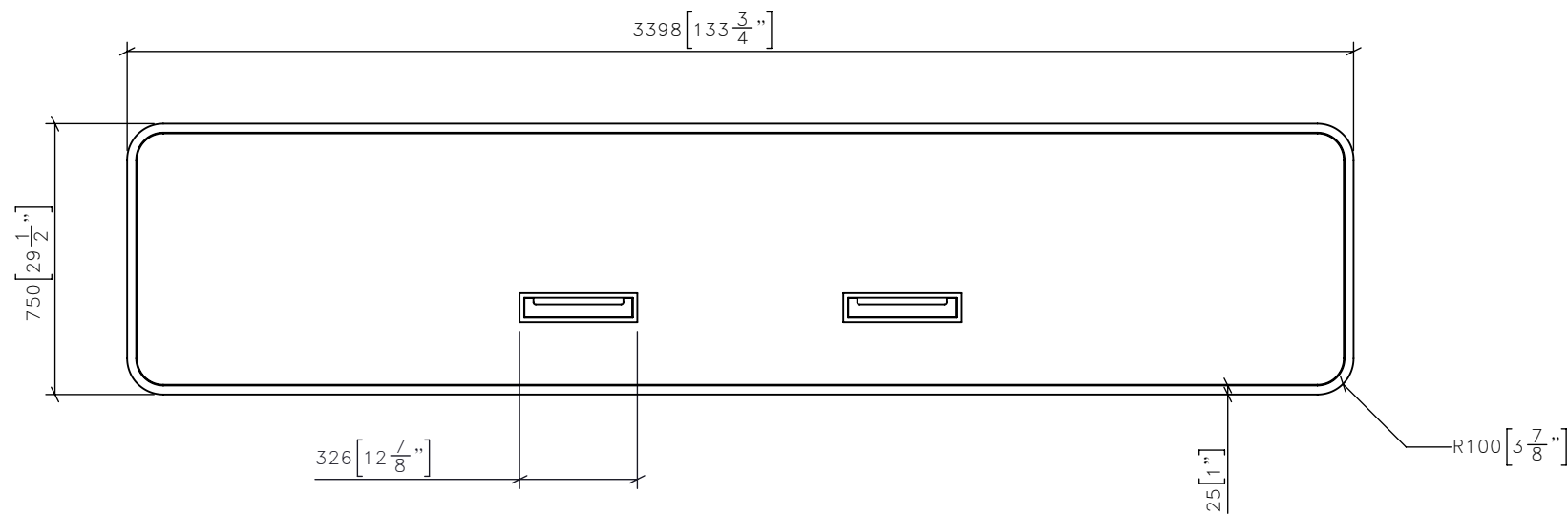
DRAWING ARE NOT TO BE SCALED. CONTRACTOR MUST CHECK AND VERIFY ALL JOB DIMENSIONS, DRAWINGS, DETAILS AND SPECIFICATIONS, AND REPORT ANY DISCREPANCIES TO DESIGNER BEFORE PROCEEDING WITH WORK.

-REV	-ISSUED FOR	-DATE



1 CG-01 GF RECEPTION DESK
1:20 FRONT ELEVATION

3 CG-01 GF RECEPTION DESK
1:20 SIDE ELEVATION



2 CG-01 GF RECEPTION DESK
1:20 PLAN

STUDIO MUNGE
25 WINGOLD AVENUE
TORONTO, ONTARIO
M6B 1P8 CANADA
416.588.1668
STUDIOMUNGE.COM

-SCALE AS NOTED
-DATE 1/29/19

-DRAWN BY AM
-CHECKED BY

-PROJECT NAME
SHANGRILA NANNING

-DRAWING TITLE
CG-01
GF RECEPTION DESK

-PROJECT NUMBER
16108

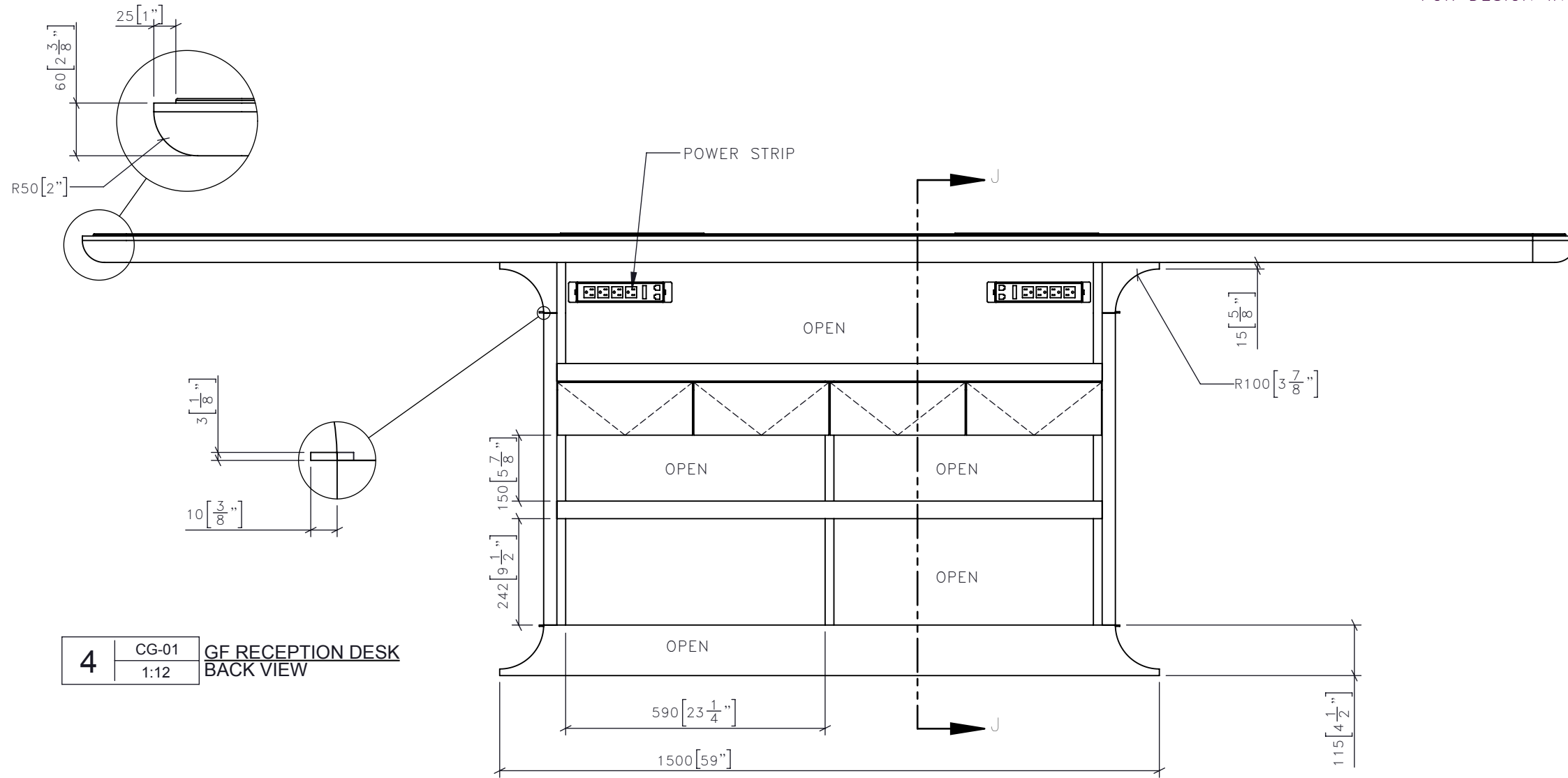
-DRAWING NUMBER
1 / 5

STUDIO MUNGE

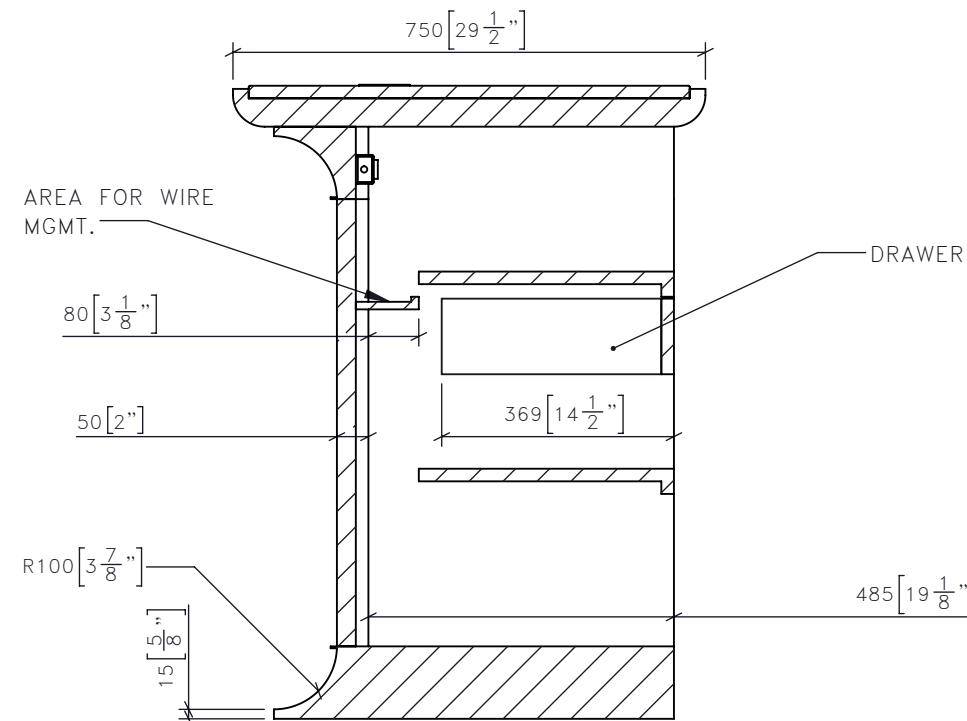
FOR DESIGN INTENT ONLY

DRAWING ARE NOT TO BE SCALED. CONTRACTOR MUST CHECK AND VERIFY ALL JOB DIMENSIONS, DRAWINGS, DETAILS AND SPECIFICATIONS; AND REPORT ANY DISCREPANCIES TO DESIGNER BEFORE PROCEEDING WITH WORK.

-REV/	-ISSUED FOR	-DATE



4 CG-01 GF RECEPTION DESK BACK VIEW
1:12



5 CG-01 GF RECEPTION DESK SECTION J-J
1:12

STUDIO MUNGE
 25 WINGOLD AVENUE
 TORONTO, ONTARIO
 M6B 1P8 CANADA
 416.588.1668
 STUDIOMUNGE.COM

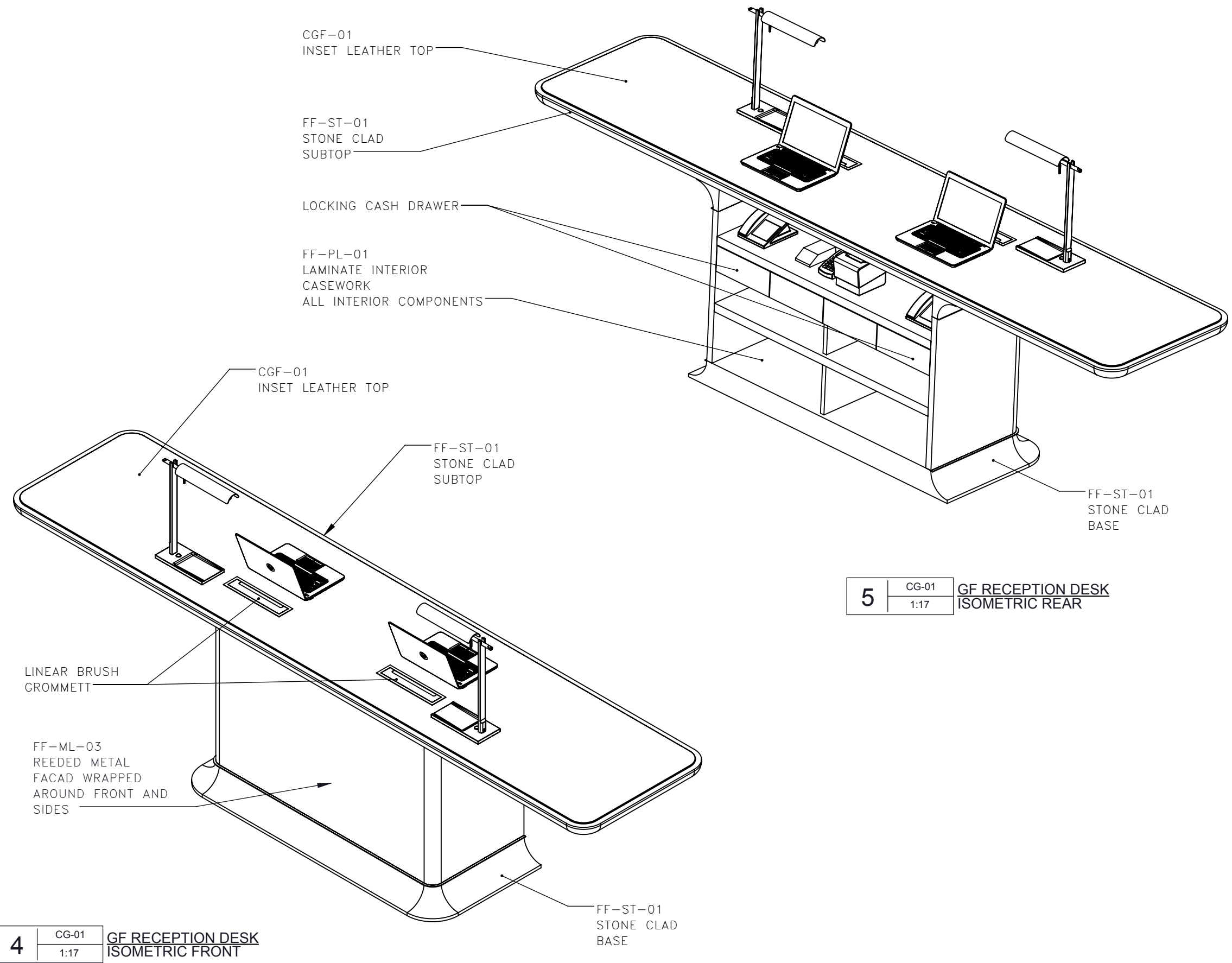
-SCALE	AS NOTED	-DATE	1/29/19
-DRAWN BY	AM	-CHECKED BY	
-PROJECT NAME	SHANGRILA NANNING		
-DRAWING TITLE	CG-01 GF RECEPTION DESK		
-PROJECT NUMBER	16108		
-DRAWING NUMBER	2 / 5		

STUDIO MUNGE

FOR DESIGN INTENT ONLY

DRAWING ARE NOT TO BE SCALED. CONTRACTOR MUST CHECK AND VERIFY ALL JOB DIMENSIONS, DRAWINGS, DETAILS AND SPECIFICATIONS; AND REPORT ANY DISCREPANCIES TO DESIGNER BEFORE PROCEEDING WITH WORK.

-REV/	-ISSUED FOR	-DATE



4 | CG-01 | 1:17 | GF RECEPTION DESK ISOMETRIC FRONT

5 | CG-01 | 1:17 | GF RECEPTION DESK ISOMETRIC REAR

STUDIO MUNGE
 25 WINGOLD AVENUE
 TORONTO, ONTARIO
 M6B 1P8 CANADA
 416.588.1668
 STUDIOMUNGE.COM

-SCALE AS NOTED	-DATE 1/29/19
-DRAWN BY AM	-CHECKED BY
-PROJECT NAME SHANGRILA NANNING	
-DRAWING TITLE CG-01 GF RECEPTION DESK	
-PROJECT NUMBER 16108	
-DRAWING NUMBER 3 / 5	

STUDIO MUNGE
M
D
C
B
A
Y

FOR DESIGN INTENT ONLY

DRAWING ARE NOT TO BE SCALED. CONTRACTOR MUST CHECK AND VERIFY ALL JOB DIMENSIONS, DRAWINGS, DETAILS AND SPECIFICATIONS; AND REPORT ANY DISCREPANCIES TO DESIGNER BEFORE PROCEEDING WITH WORK.

-REV/	-ISSUED FOR	-DATE



STUDIO MUNGE
25 WINGOLD AVENUE
TORONTO, ONTARIO
M6B 1P8 CANADA
416.588.1668
STUDIOMUNGE.COM

-SCALE
AS NOTED

-DATE
1/29/19

-DRAWN BY
AM

-CHECKED BY

-PROJECT NAME

SHANGRILA NANNING

-DRAWING TITLE

CG-01
GF RECEPTION DESK

-PROJECT NUMBER
16108

-DRAWING NUMBER
4 / 5

6	CG-01	GF RECEPTION DESK RENDERED VIEW
	1:17	

STUDIO MUNGE
X
Y
A
B
C
D
E
F
G
H
I
J
K
L
M
N
O
P
Q
R
S
T
U
V
W
X
Y

FOR DESIGN INTENT ONLY

DRAWING ARE NOT TO BE SCALED. CONTRACTOR MUST CHECK AND VERIFY ALL JOB DIMENSIONS, DRAWINGS, DETAILS AND SPECIFICATIONS; AND REPORT ANY DISCREPANCIES TO DESIGNER BEFORE PROCEEDING WITH WORK.

-REV/	-ISSUED FOR	-DATE

**STUDIO
MUNGE**
25 WINGOLD AVENUE
TORONTO, ONTARIO
M6B 1P8 CANADA
416.588.1668
STUDIOMUNGE.COM

-SCALE	-DATE
AS NOTED	1/29/19

-DRAWN BY	-CHECKED BY
AM	

-PROJECT NAME
SHANGRILA NANNING

-DRAWING TITLE
CG-01
GF RECEPTION DESK

-PROJECT NUMBER
16108

-DRAWING NUMBER
5 / 5

7 CG-01
1:17 **GF RECEPTION DESK**
RENDERED VIEW

