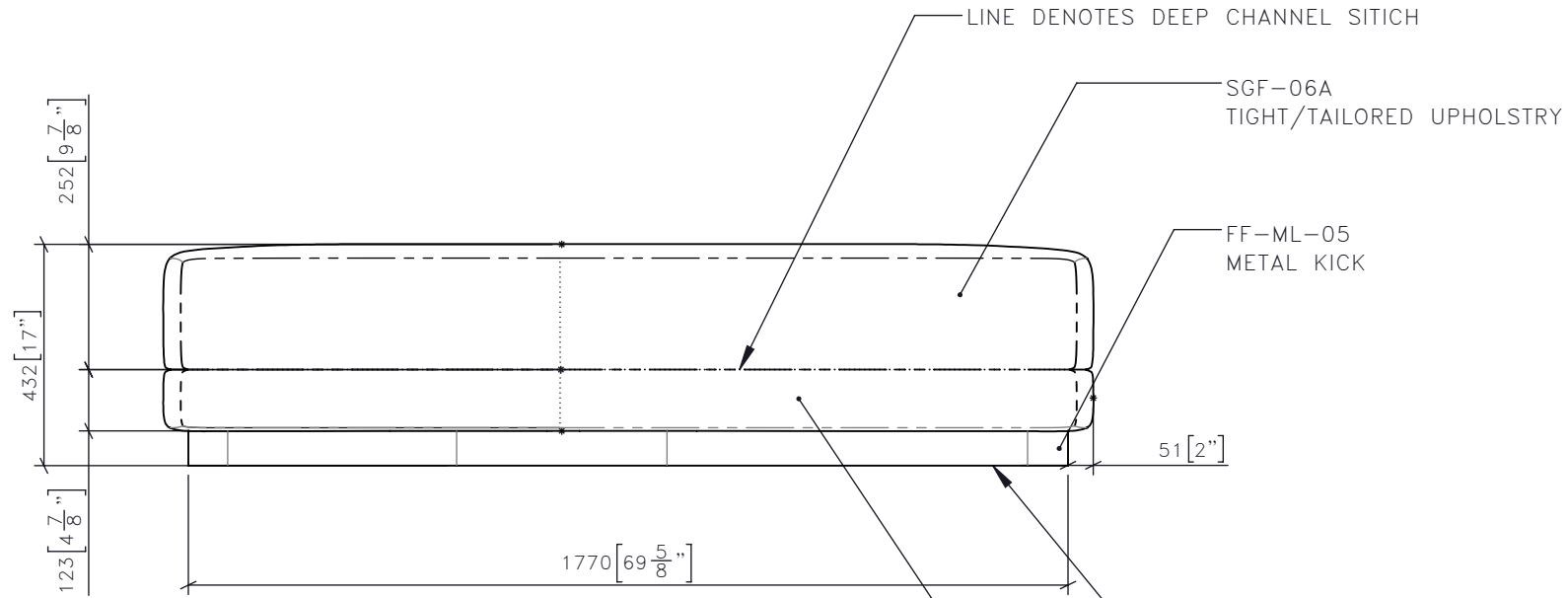
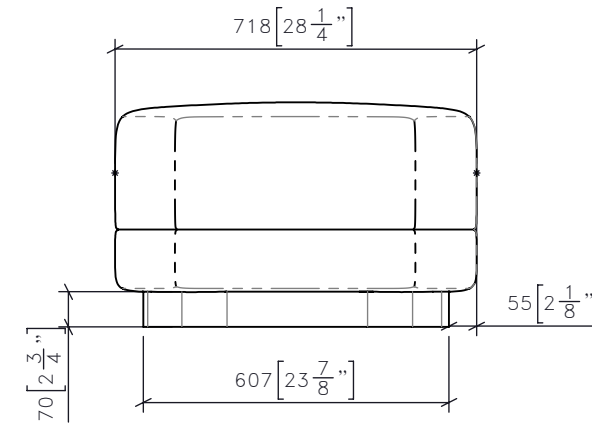


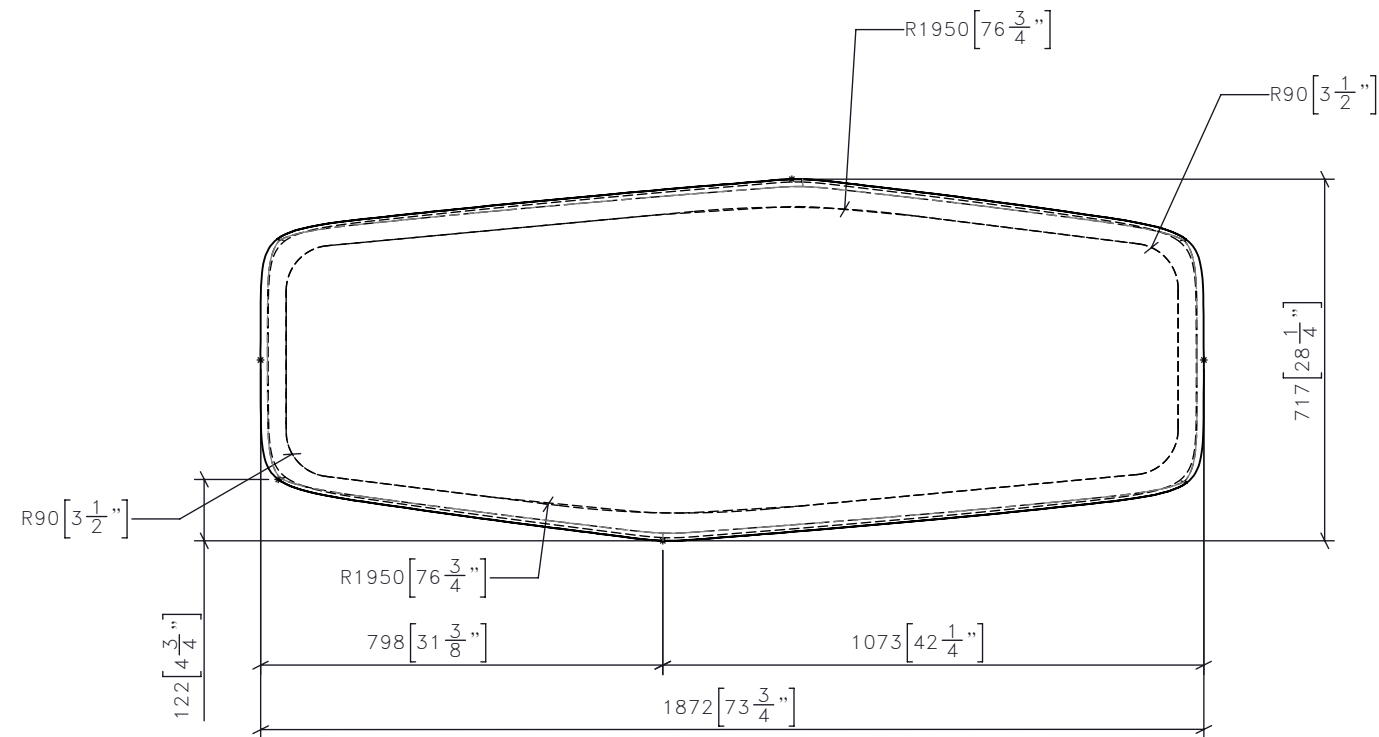
-REV/	-ISSUED FOR	-DATE



1 | SG-06 | GROOMING OTTOMAN
1:15 | FRONT ELEVATION



3 | SG-06 | GROOMING OTTOMAN
1:15 | SIDE ELEVATION



2 | SG-06 | GROOMING OTTOMAN
1:15 | PLAN (HIDDEN LINES SHOWN)

STUDIO MUNGE
25 WINGOLD AVENUE
TORONTO, ONTARIO
M6B 1P8 CANADA
416.588.1668
STUDIOMUNGE.COM

-SCALE
AS NOTED

-DATE
2020-04-22

-DRAWN BY
LS

-CHECKED BY

-PROJECT NAME

SHANGRI-LA NANNING

-DRAWING TITLE

SG-06
GROOMING OTTOMAN

-PROJECT NUMBER
16109

-DRAWING NUMBER
1 / 2

STUDIO MUNGE
Y
E
M
D
C
B
A
Y

1 2 3 4 5 6

FOR DESIGN INTENT ONLY

DRAWING ARE NOT TO BE SCALED. CONTRACTOR MUST CHECK AND VERIFY ALL JOB DIMENSIONS, DRAWINGS, DETAILS AND SPECIFICATIONS; AND REPORT ANY DISCREPANCIES TO DESIGNER BEFORE PROCEEDING WITH WORK.

-REV/	-ISSUED FOR	-DATE



**STUDIO
MUNGE** 25 WINGOLD AVENUE
TORONTO, ONTARIO
M6B 1P8 CANADA
416.588.1668
STUDIOMUNGE.COM

-SCALE AS NOTED **-DATE** 2020-04-22

-DRAWN BY LS **-CHECKED BY**

-PROJECT NAME
SHANGRI-LA NANNING

-DRAWING TITLE
SG-06
GROOMING OTTOMAN

-PROJECT NUMBER
16109

-DRAWING NUMBER
2 / 2

1 2 3 4 5 6