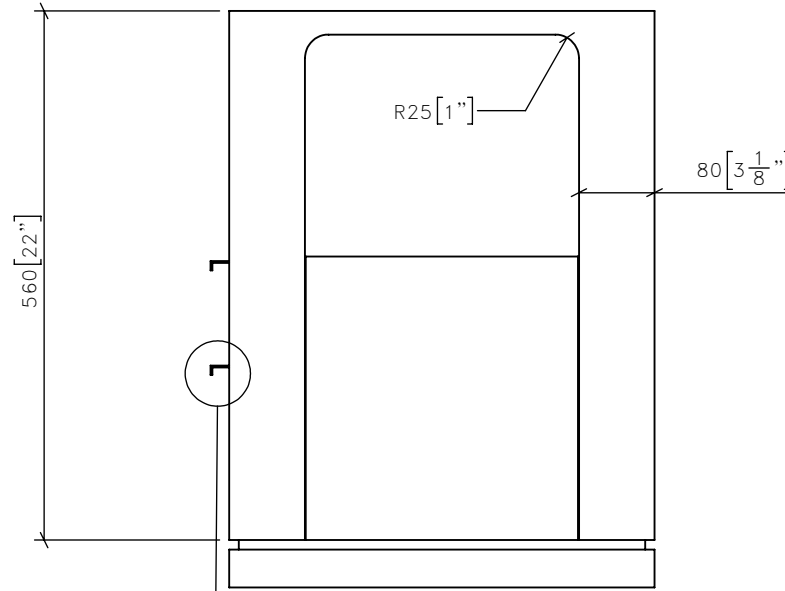
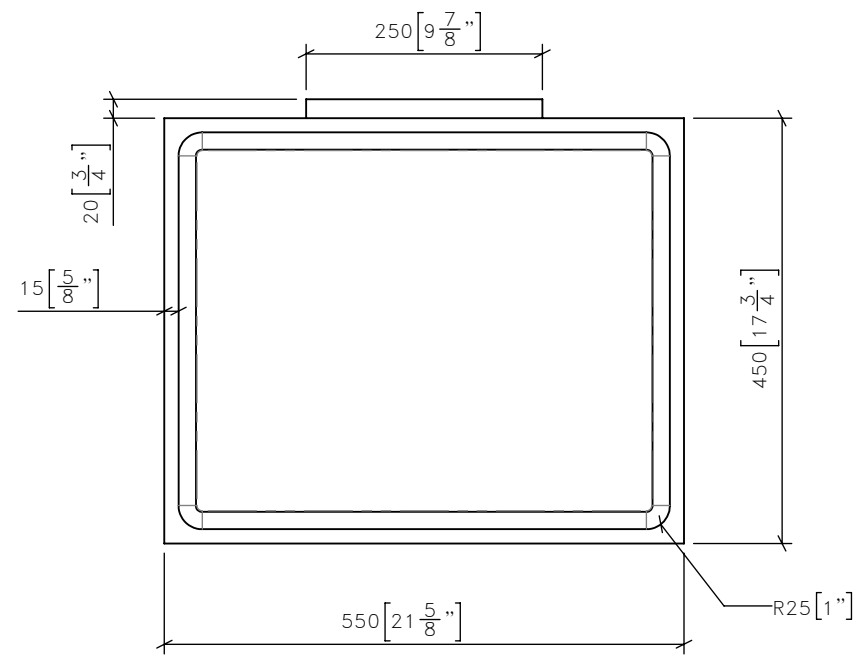


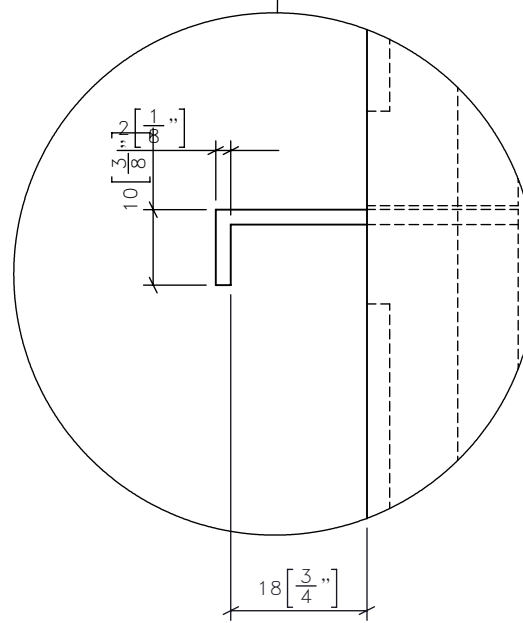
1 CG-XX
1:8 ITEM DESCRIPTION
FRONT ELEVATION



3 CG-XX
1:8 ITEM DESCRIPTION
SIDE ELEVATION



2 CG-XX
1:8 ITEM DESCRIPTION
PLAN



-REV/	-ISSUED FOR	-DATE

STUDIO MUNGE
25 WINGOLD AVENUE
TORONTO, ONTARIO
M6B 1P8 CANADA
416.588.1668
STUDIOMUNGE.COM

-SCALE AS NOTED
-DATE 11/19/18

-DRAWN BY AM
-CHECKED BY

-PROJECT NAME

PROJECT TITLE

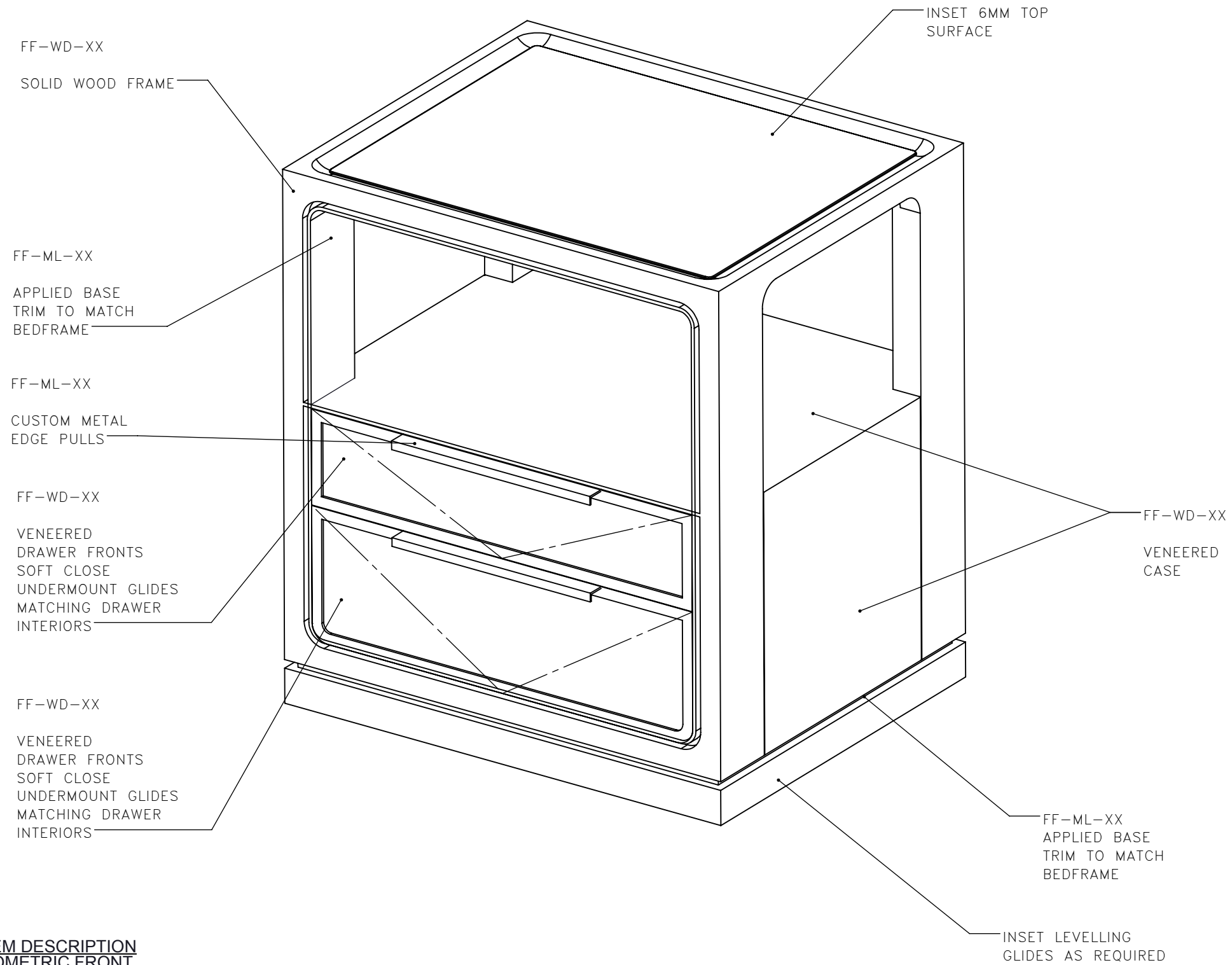
-DRAWING TITLE

CG-XX
ITEM DESCRIPTION

-PROJECT NUMBER
XXXXXX

-DRAWING NUMBER
1 / 3

-REV/	-ISSUED FOR	-DATE



STUDIO MUNGE
 25 WINGOLD AVENUE
 TORONTO, ONTARIO
 M6B 1P8 CANADA
 416.588.1668
 STUDIOMUNGE.COM

-SCALE
AS NOTED

-DATE
11/19/18

-DRAWN BY
AM

-CHECKED BY

-PROJECT NAME

PROJECT TITLE

-DRAWING TITLE

CG-XX
ITEM DESCRIPTION

-PROJECT NUMBER
XXXXXX

-DRAWING NUMBER
2 / 3

4 | CG-XX | **ITEM DESCRIPTION**
1:5 | **ISOMETRIC FRONT**

STUDIO MUNGE
Y
E
M
D
C
B
A
Y

1 2 3 4 5 6

FOR DESIGN INTENT ONLY

DRAWING ARE NOT TO BE SCALED. CONTRACTOR MUST CHECK AND VERIFY ALL JOB DIMENSIONS, DRAWINGS, DETAILS AND SPECIFICATIONS; AND REPORT ANY DISCREPANCIES TO DESIGNER BEFORE PROCEEDING WITH WORK.

-REV/	-ISSUED FOR	-DATE



**STUDIO
MUNGE**
25 WINGOLD AVENUE
TORONTO, ONTARIO
M6B 1P8 CANADA
416.588.1668
STUDIOMUNGE.COM

-SCALE
AS NOTED

-DATE
11/19/18

-DRAWN BY
AM

-CHECKED BY

-PROJECT NAME

PROJECT TITLE

-DRAWING TITLE

CG-XX
ITEM DESCRIPTION

-PROJECT NUMBER
XXXXXX

-DRAWING NUMBER
3 / 3

1 2 3 4 5 6