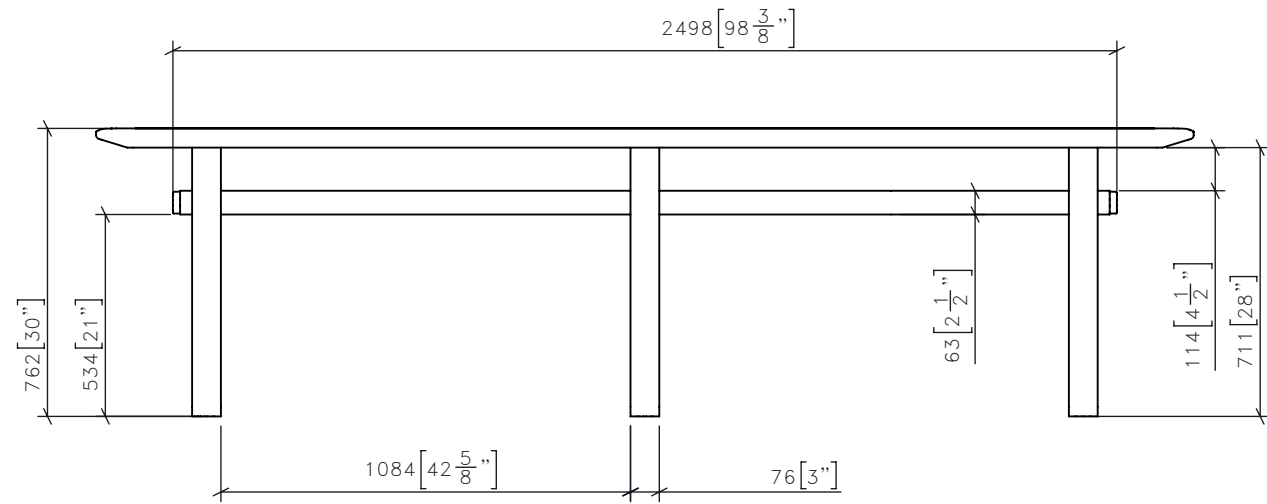
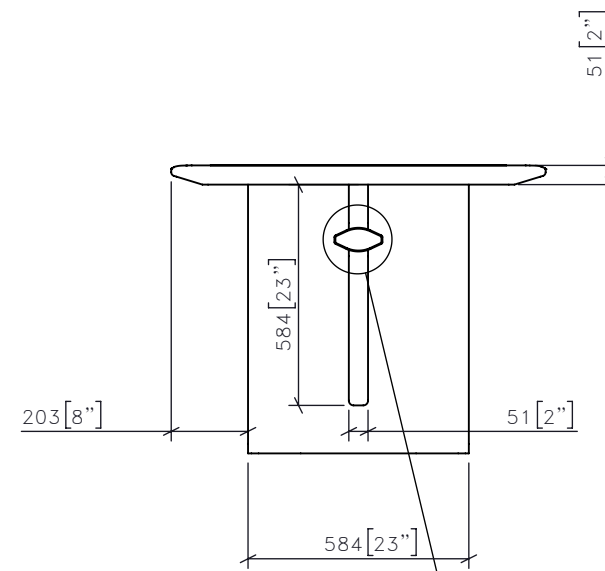


FOR DESIGN INTENT ONLY

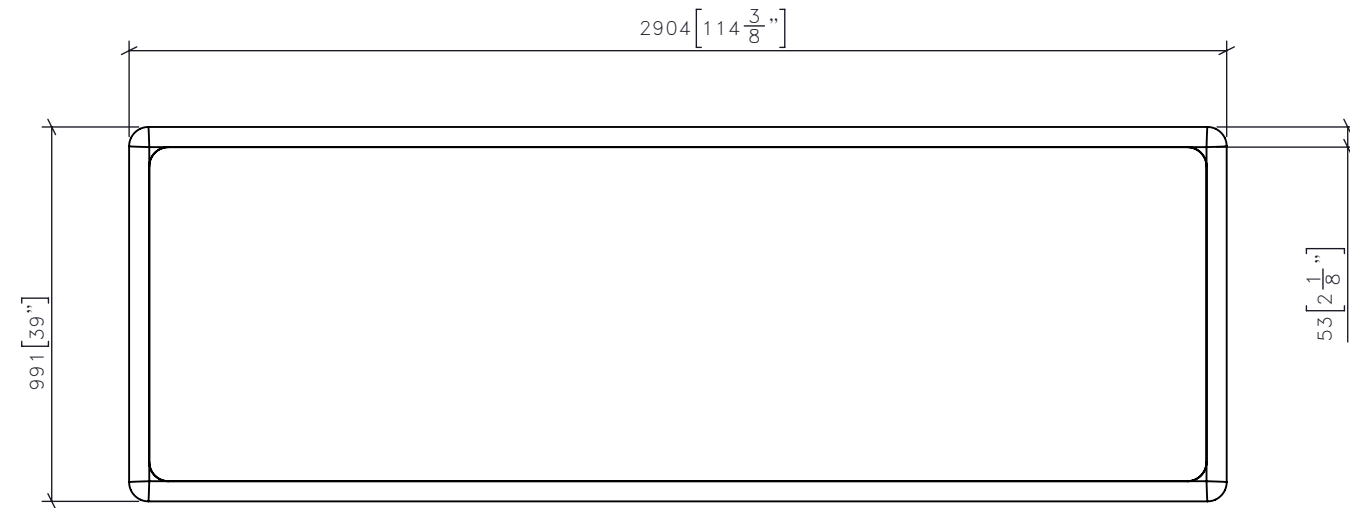
DRAWING ARE NOT TO BE SCALED. CONTRACTOR MUST CHECK AND VERIFY ALL JOB DIMENSIONS, DRAWINGS, DETAILS AND SPECIFICATIONS; AND REPORT ANY DISCREPANCIES TO DESIGNER BEFORE PROCEEDING WITH WORK.



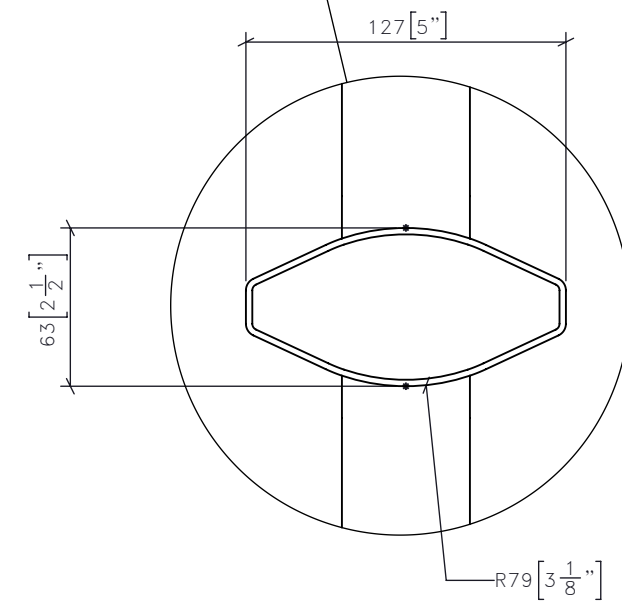
1	CG-XX	LARGE TABLE SIDE ELEVATION
	1:20	



2	CG-XX	LARGE TABLE FRONT ELEVATION
	1:20	



3	CG-XX	LARGE TABLE Drawing View11
	1:20	



4	CG-XX	LARGE TABLE DETAIL VIEW
	1:20	

-REV/	-ISSUED FOR	-DATE

**STUDIO MUNGE**  
 25 WINGOLD AVENUE  
 TORONTO, ONTARIO  
 M6B 1P8 CANADA  
 416.588.1668  
 STUDIOMUNGE.COM

-SCALE	AS NOTED	-DATE	9/11/18
-DRAWN BY	RC	-CHECKED BY	
-PROJECT NAME	SHANGRI-LA NANNING		
-DRAWING TITLE	CG-XX LARGE TABLE		
-PROJECT NUMBER	16108		
-DRAWING NUMBER	1 / 3		

STUDIO MUNGE  
E  
D  
C  
B  
A  
Y

FOR DESIGN INTENT ONLY

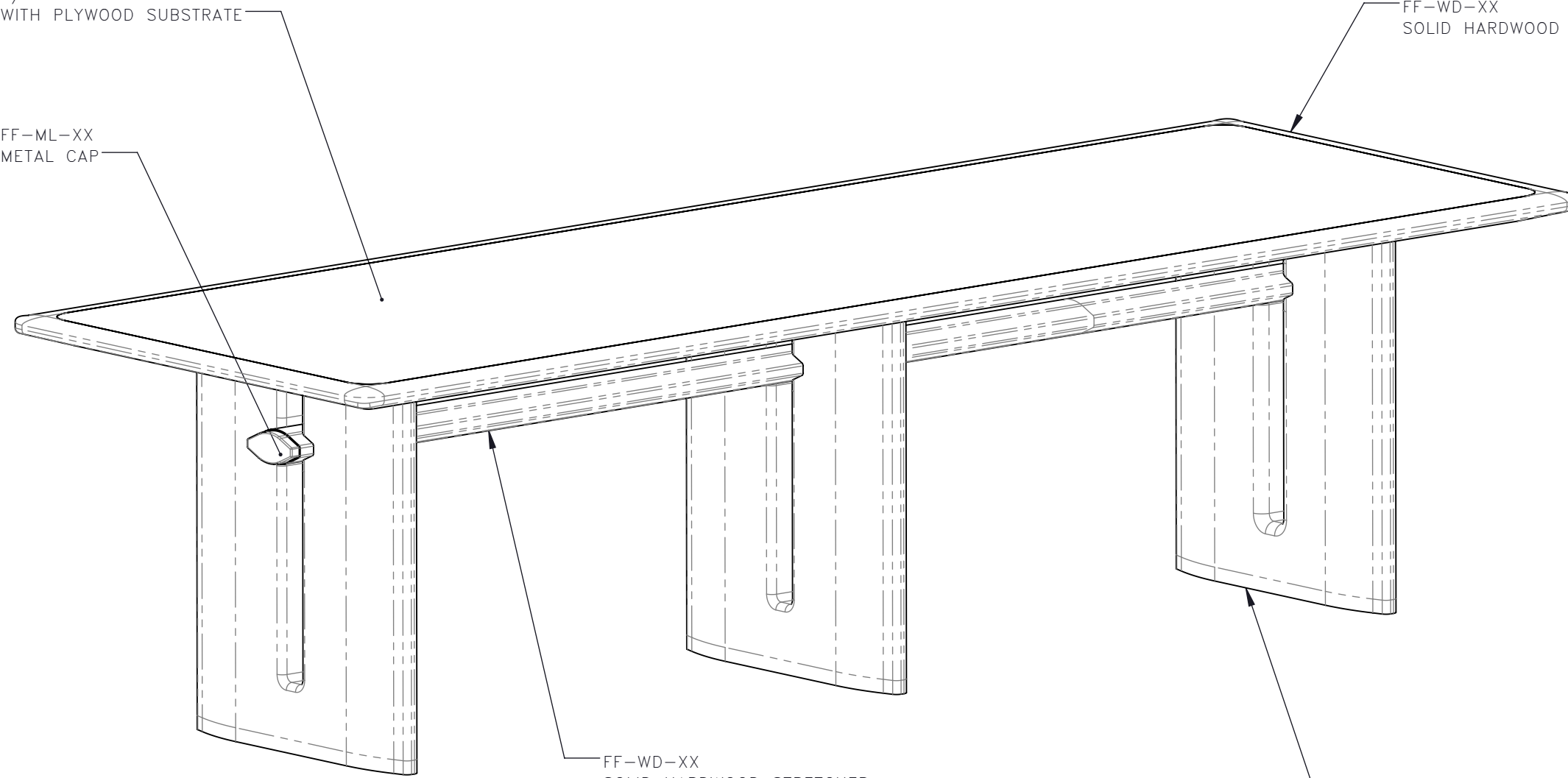
DRAWING ARE NOT TO BE SCALED. CONTRACTOR MUST CHECK AND VERIFY ALL JOB DIMENSIONS, DRAWINGS, DETAILS AND SPECIFICATIONS; AND REPORT ANY DISCREPANCIES TO DESIGNER BEFORE PROCEEDING WITH WORK.

-REV/	-ISSUED FOR	-DATE

FF-ST-XX  
1/4" STONE TABLE TOP  
WITH PLYWOOD SUBSTRATE

FF-ML-XX  
METAL CAP

FF-WD-XX  
SOLID HARDWOOD TRIM



FF-WD-XX  
SOLID HARDWOOD STRETCHER

FF-ML-XX  
METAL TRIM ON BOTTOM  
ADD LEVELERS AS NEEDED

**STUDIO  
MUNGE**  
25 WINGOLD AVENUE  
TORONTO, ONTARIO  
M6B 1P8 CANADA  
416.588.1668  
STUDIOMUNGE.COM

-SCALE AS NOTED -DATE 9/11/18

-DRAWN BY RC -CHECKED BY

-PROJECT NAME  
SHANGRI-LA NANNING

-DRAWING TITLE  
CG-XX  
LARGE TABLE

-PROJECT NUMBER  
16108

-DRAWING NUMBER  
2 / 3

4	CG-XX	LARGE TABLE ISOMETRIC FRONT
	1:10	

STUDIO MUNGE  
E  
F  
D  
C  
B  
A  
Y

FOR DESIGN INTENT ONLY

DRAWING ARE NOT TO BE SCALED. CONTRACTOR MUST CHECK AND VERIFY ALL JOB DIMENSIONS, DRAWINGS, DETAILS AND SPECIFICATIONS; AND REPORT ANY DISCREPANCIES TO DESIGNER BEFORE PROCEEDING WITH WORK.

-REV/	-ISSUED FOR	-DATE



**STUDIO  
MUNGE**  
25 WINGOLD AVENUE  
TORONTO, ONTARIO  
M6B 1P8 CANADA  
416.588.1668  
STUDIOMUNGE.COM

**-SCALE**  
AS NOTED

**-DATE**  
9/11/18

**-DRAWN BY**  
RC

**-CHECKED BY**

**-PROJECT NAME**  
  
SHANGRI-LA NANNING

**-DRAWING TITLE**  
  
CG-XX  
LARGE TABLE

**-PROJECT NUMBER**  
16108

**-DRAWING NUMBER**  
3 / 3

**5** | CG-XX | LARGE TABLE  
1:10 | RENDERED VIEW\*