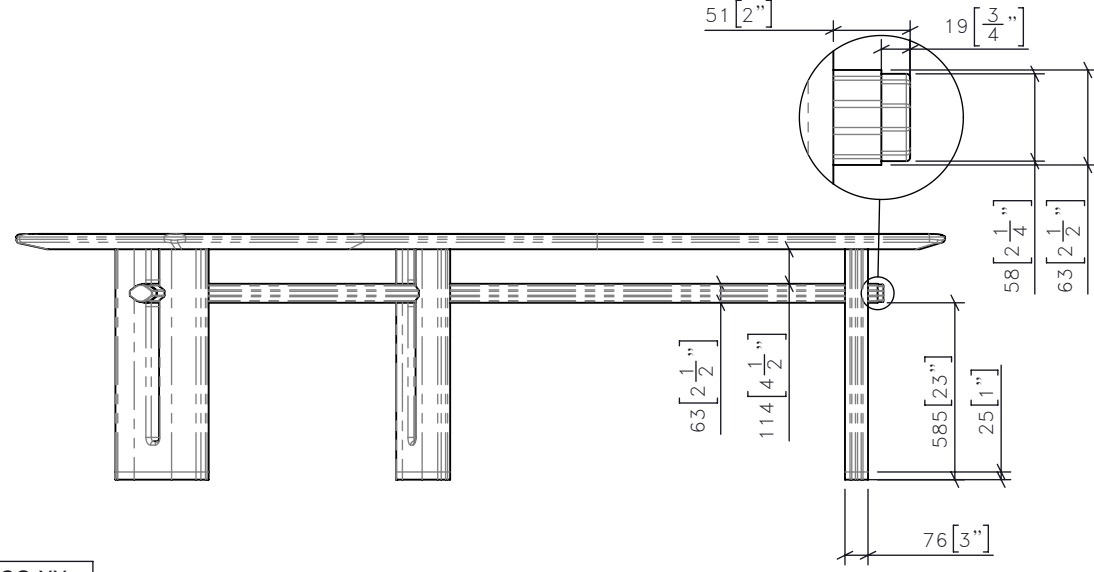
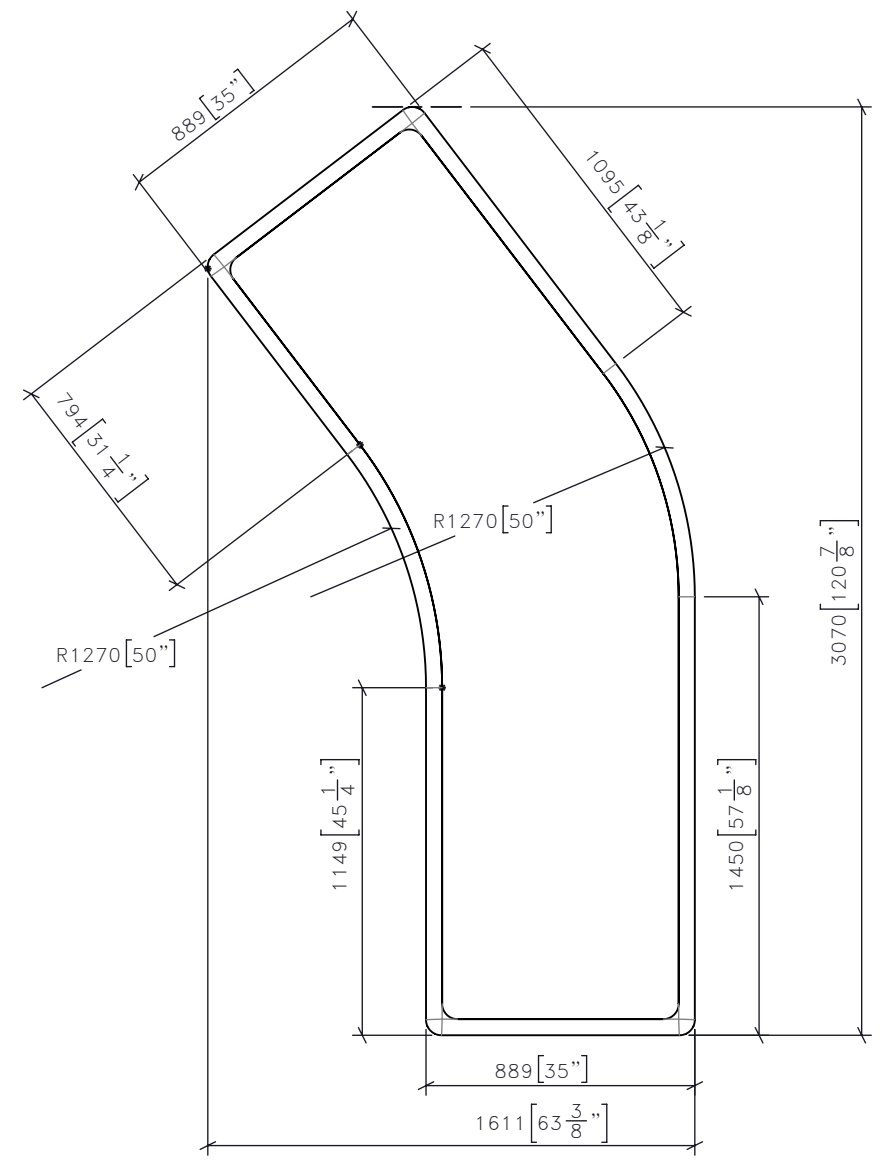


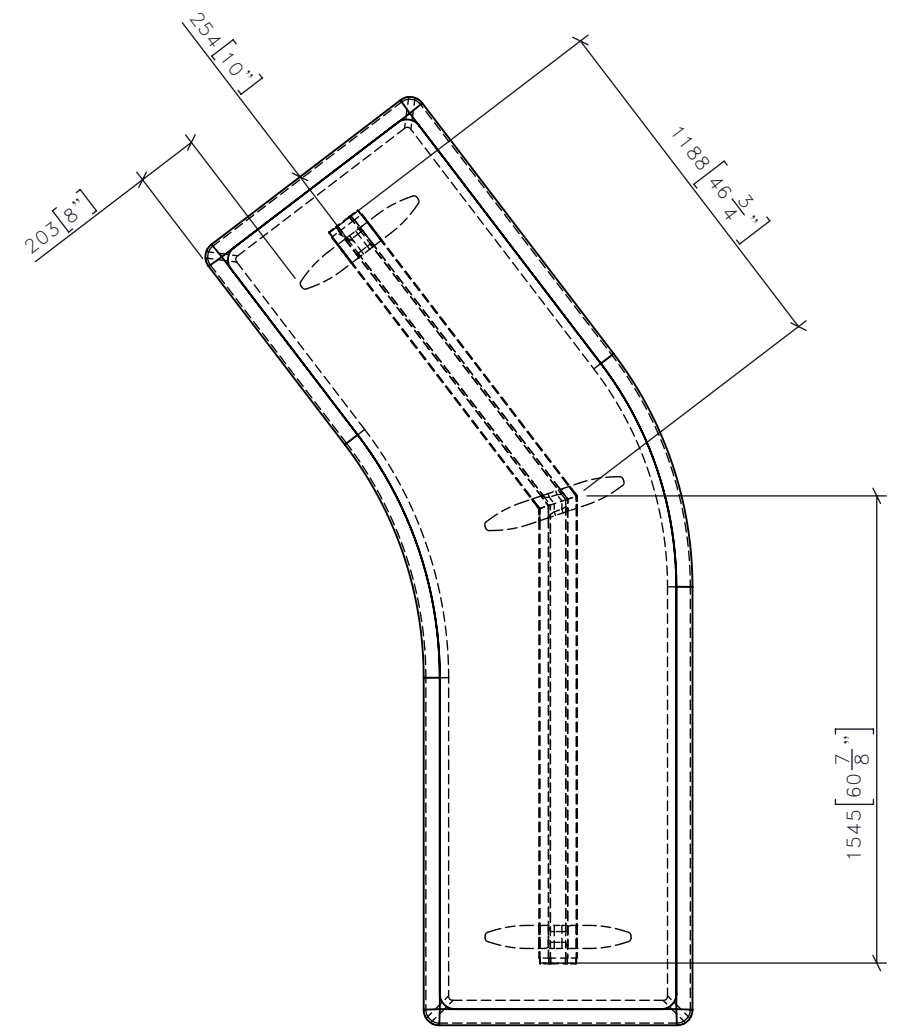
1 CG-XX
1:25 COMMUNAL TABLE
FRONT ELEVATION



3 CG-XX
1:25 COMMUNAL TABLE
SIDE ELEVATION



2 CG-XX
1:25 COMMUNAL TABLE
PLAN



4 CG-XX
1:25 COMMUNAL TABLE
PLAN

FOR DESIGN INTENT ONLY

DRAWING ARE NOT TO BE SCALED. CONTRACTOR MUST CHECK AND VERIFY ALL JOB DIMENSIONS, DRAWINGS, DETAILS AND SPECIFICATIONS, AND REPORT ANY DISCREPANCIES TO DESIGNER BEFORE PROCEEDING WITH WORK.

| -REV | -ISSUED FOR | -DATE |
|------|-------------|-------|
| | | |

STUDIO MUNGE
25 WINGOLD AVENUE
TORONTO, ONTARIO
M6B 1P8 CANADA
416.588.1668
STUDIOMUNGE.COM

-SCALE AS NOTED
-DATE 8/15/18

-DRAWN BY RC
-CHECKED BY

-PROJECT NAME

SHANGRI-LA NANNING

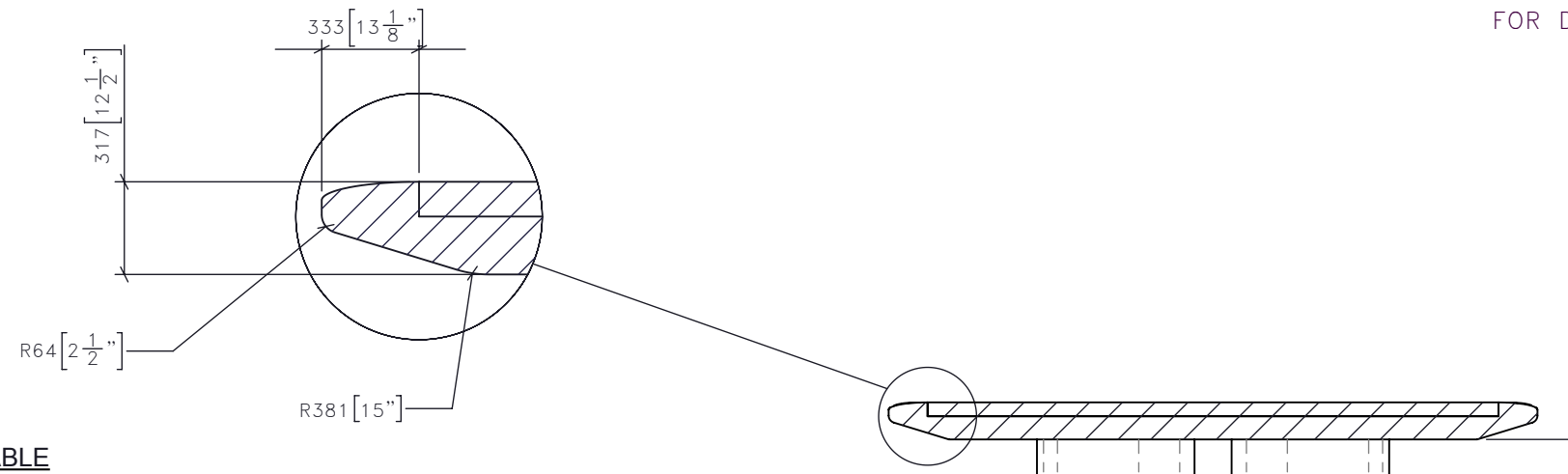
-DRAWING TITLE

CG-XX
COMMUNAL TABLE

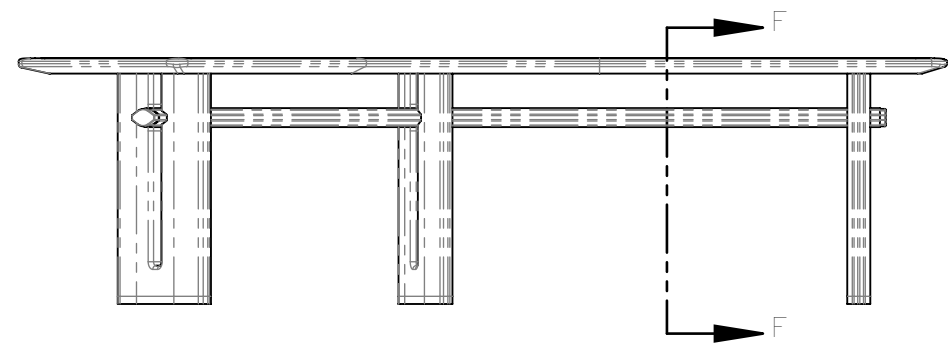
-PROJECT NUMBER
16108

-DRAWING NUMBER
1 / 6

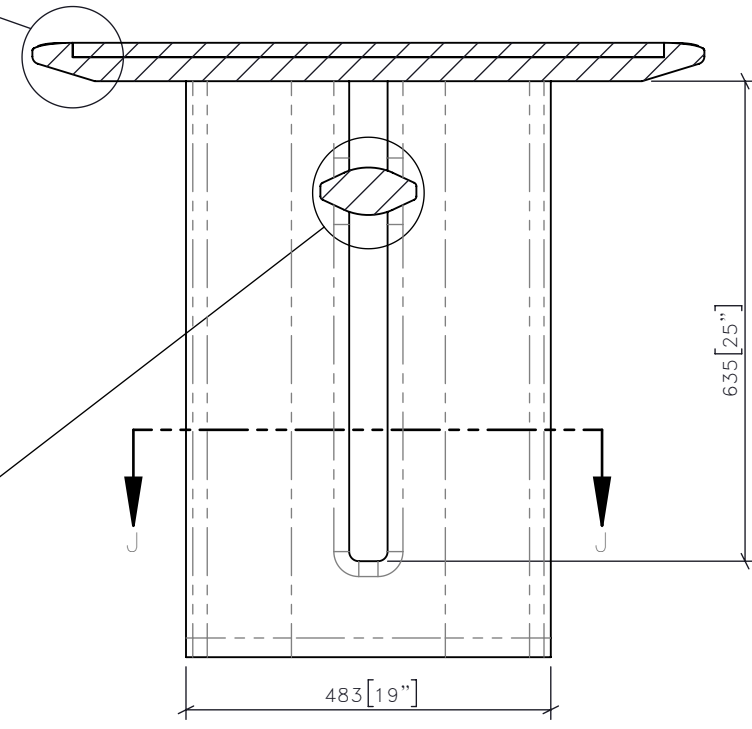
| -REV/ | -ISSUED FOR | -DATE |
|-------|-------------|-------|
| | | |



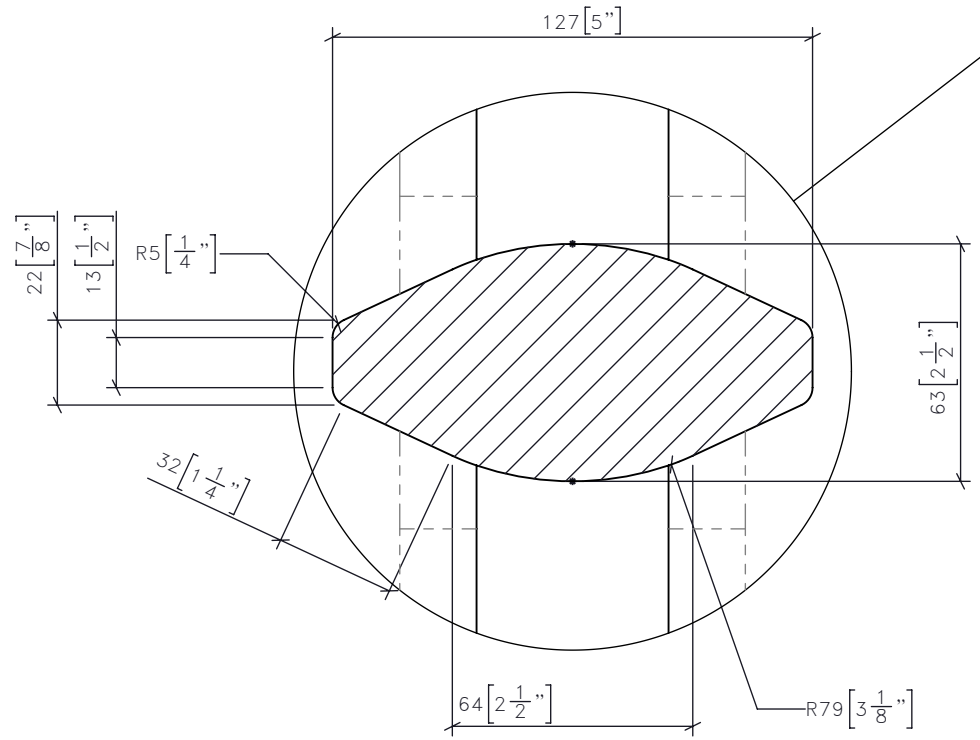
5 CG-XX COMMUNAL TABLE
1:25 EDGE DETAIL



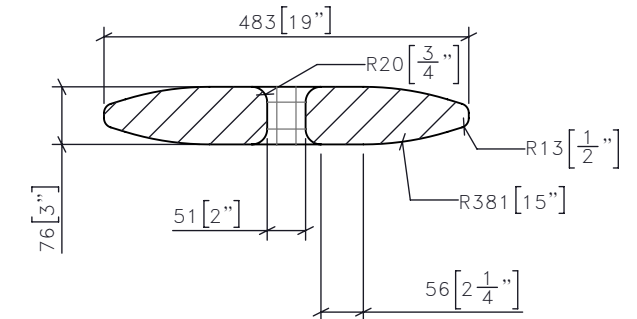
6 CG-XX COMMUNAL TABLE
1:25 FRONT VIEW



8 CG-XX COMMUNAL TABLE
1:25 SECTION F-F



7 CG-XX COMMUNAL TABLE
1:25 CROSS RAIL DETAIL



9 CG-XX COMMUNAL TABLE
1:25 SECTION J-J

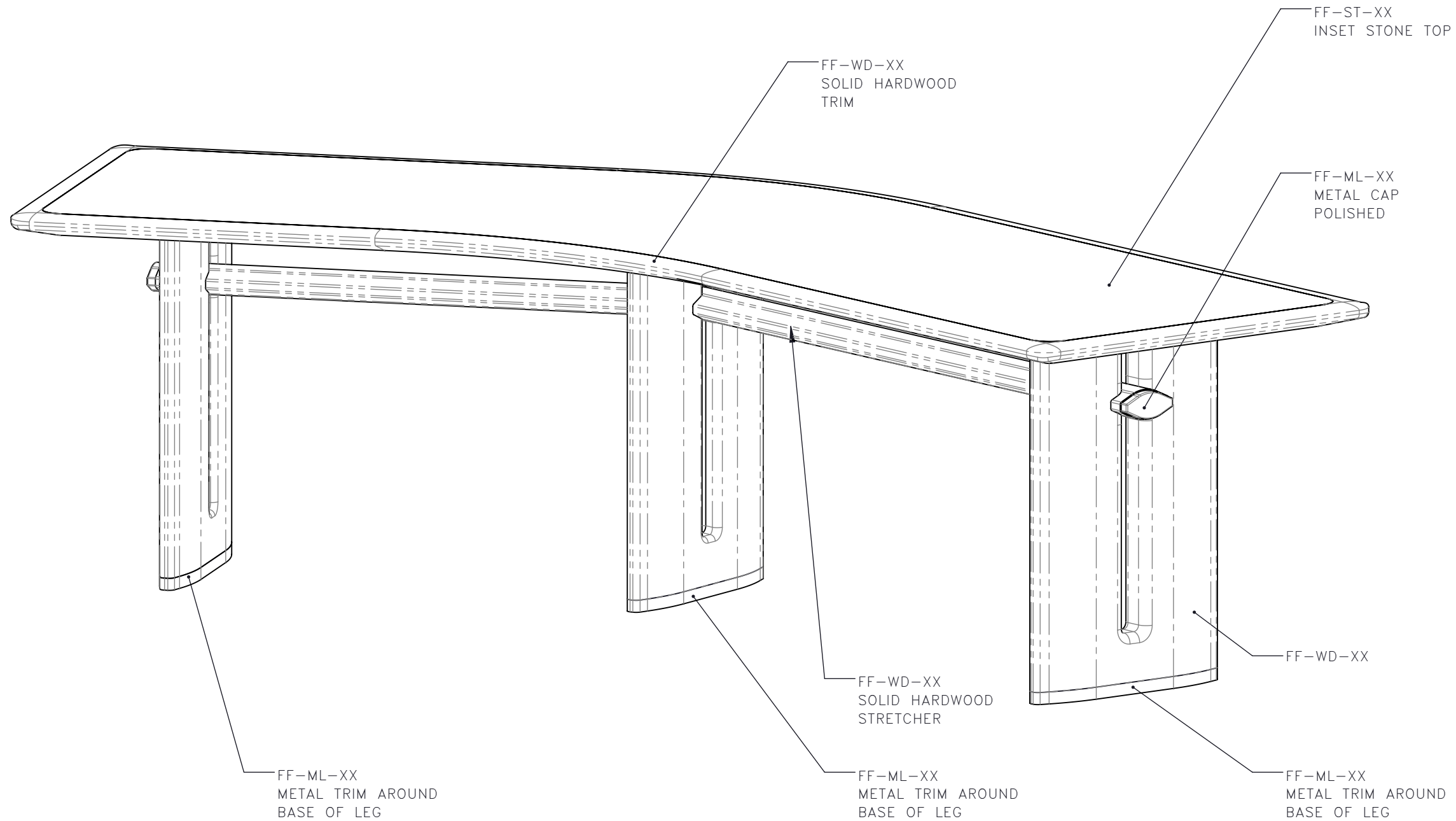
STUDIO MUNGE
25 WINGOLD AVENUE
TORONTO, ONTARIO
M6B 1P8 CANADA
416.588.1668
STUDIOMUNGE.COM

| | |
|---|------------------|
| -SCALE AS NOTED | -DATE 8/15/18 |
| -DRAWN BY RC | -CHECKED BY |
| -PROJECT NAME SHANGRI-LA NANNING | |
| -DRAWING TITLE CG-XX COMMUNAL TABLE | |
| -PROJECT NUMBER 16108 | |
| -DRAWING NUMBER 2 / 6 | |

FOR DESIGN INTENT ONLY

DRAWING ARE NOT TO BE SCALED. CONTRACTOR MUST CHECK AND VERIFY ALL JOB DIMENSIONS, DRAWINGS, DETAILS AND SPECIFICATIONS; AND REPORT ANY DISCREPANCIES TO DESIGNER BEFORE PROCEEDING WITH WORK.

| -REV/ | -ISSUED FOR | -DATE |
|-------|-------------|-------|
| | | |



STUDIO MUNGE
 25 WINGOLD AVENUE
 TORONTO, ONTARIO
 M6B 1P8 CANADA
 416.588.1668
 STUDIOMUNGE.COM

-SCALE
AS NOTED

-DATE
8/15/18

-DRAWN BY
RC

-CHECKED BY

-PROJECT NAME

SHANGRI-LA NANNING

-DRAWING TITLE

CG-XX
COMMUNAL TABLE

-PROJECT NUMBER
16108

-DRAWING NUMBER
3 / 6

10 CG-XX COMMUNAL TABLE
1:10 ISOMETRIC VIEW

STUDIO MUNGE
E
F
D
C
B
A
Y

FOR DESIGN INTENT ONLY

DRAWING ARE NOT TO BE SCALED. CONTRACTOR MUST CHECK AND VERIFY ALL JOB DIMENSIONS, DRAWINGS, DETAILS AND SPECIFICATIONS; AND REPORT ANY DISCREPANCIES TO DESIGNER BEFORE PROCEEDING WITH WORK.

| -REV/ | -ISSUED FOR | -DATE |
|-------|-------------|-------|
| | | |



**STUDIO
MUNGE**
25 WINGOLD AVENUE
TORONTO, ONTARIO
M6B 1P8 CANADA
416.588.1668
STUDIOMUNGE.COM

| | |
|--|-------------------------|
| -SCALE AS NOTED | -DATE 8/15/18 |
| -DRAWN BY RC | -CHECKED BY |
| -PROJECT NAME SHANGRI-LA NANNING | |
| -DRAWING TITLE CG-XX COMMUNAL TABLE | |
| -PROJECT NUMBER 16108 | |
| -DRAWING NUMBER 4 / 6 | |

STUDIO MUNGE
E
F
D
C
B
A
Y

1 2 3 4 5 6

FOR DESIGN INTENT ONLY

DRAWING ARE NOT TO BE SCALED. CONTRACTOR MUST CHECK AND VERIFY ALL JOB DIMENSIONS, DRAWINGS, DETAILS AND SPECIFICATIONS; AND REPORT ANY DISCREPANCIES TO DESIGNER BEFORE PROCEEDING WITH WORK.

| -REV/ | -ISSUED FOR | -DATE |
|-------|-------------|-------|
| | | |



**STUDIO
MUNGE**
25 WINGOLD AVENUE
TORONTO, ONTARIO
M6B 1P8 CANADA
416.588.1668
STUDIOMUNGE.COM

-SCALE
AS NOTED

-DATE
8/15/18

-DRAWN BY
RC

-CHECKED BY

-PROJECT NAME

SHANGRI-LA NANNING

-DRAWING TITLE

CG-XX
COMMUNAL TABLE

-PROJECT NUMBER
16108

-DRAWING NUMBER
5 / 6

1 2 3 4 5 6

STUDIO MUNGE
Y
F
D
C
B
A
Y
X

1 2 3 4 5 6

FOR DESIGN INTENT ONLY

DRAWING ARE NOT TO BE SCALED. CONTRACTOR MUST CHECK AND VERIFY ALL JOB DIMENSIONS, DRAWINGS, DETAILS AND SPECIFICATIONS; AND REPORT ANY DISCREPANCIES TO DESIGNER BEFORE PROCEEDING WITH WORK.

| -REV/ | -ISSUED FOR | -DATE |
|-------|-------------|-------|
| | | |



**STUDIO
MUNGE**
25 WINGOLD AVENUE
TORONTO, ONTARIO
M6B 1P8 CANADA
416.588.1668
STUDIOMUNGE.COM

-SCALE
AS NOTED

-DATE
8/15/18

-DRAWN BY
RC

-CHECKED BY

-PROJECT NAME
SHANGRI-LA NANNING

-DRAWING TITLE
CG-XX
COMMUNAL TABLE

-PROJECT NUMBER
16108

-DRAWING NUMBER
6 / 6

1 2 3 4 5 6