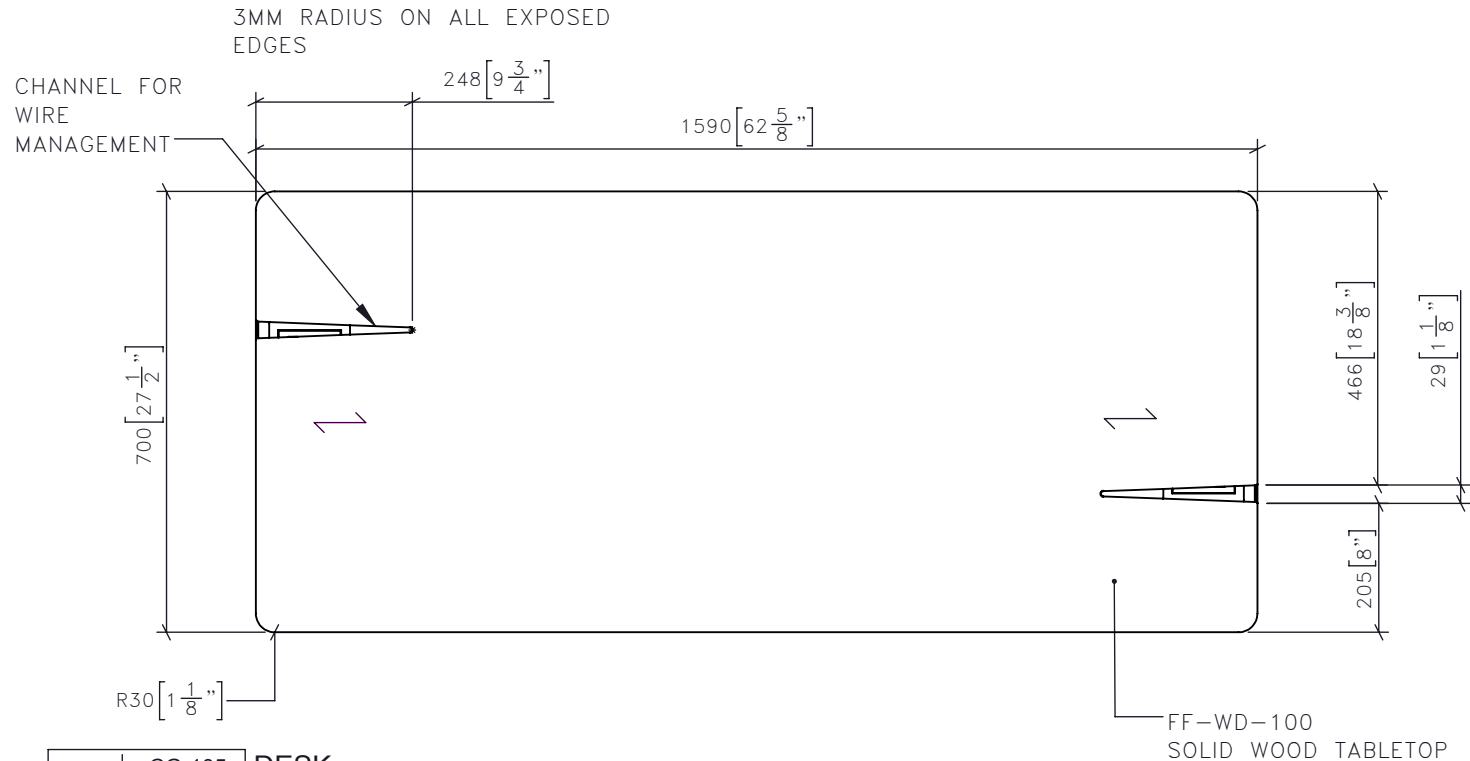


STUDIO MUNGE

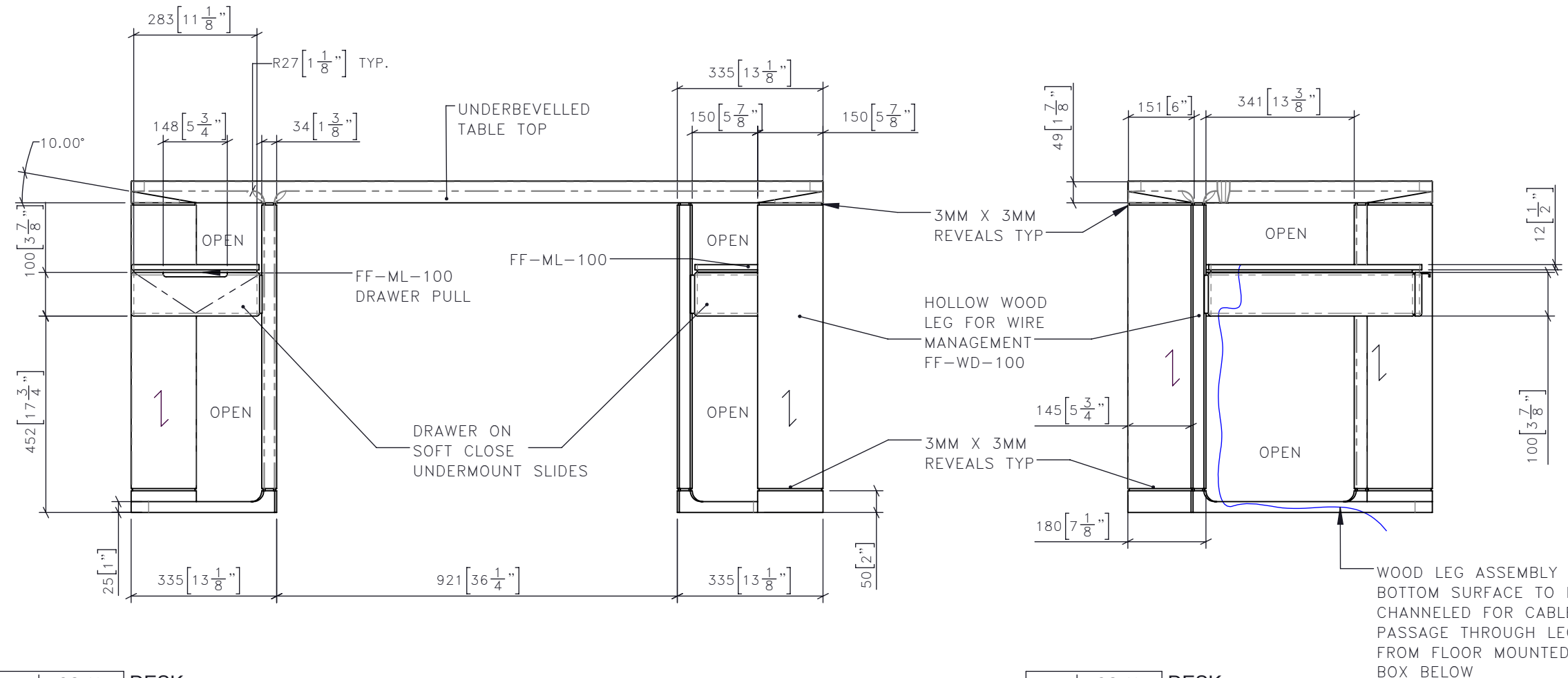
FOR DESIGN INTENT ONLY

DRAWING ARE NOT TO BE SCALED. CONTRACTOR MUST CHECK AND VERIFY ALL JOB DIMENSIONS, DRAWINGS, DETAILS AND SPECIFICATIONS, AND REPORT ANY DISCREPANCIES TO DESIGNER BEFORE PROCEEDING WITH WORK.

REV.	ISSUED FOR	DATE



**1** CG-105 DESK PLAN  
1:12



**2** CG-105 DESK FRONT ELEVATION  
1:12

**3** CG-105 DESK SIDE ELEVATION  
1:12

**STUDIO MUNGE**

25 WINGOLD AVENUE  
TORONTO, ONTARIO  
M6B 1P8 CANADA  
416.588.1668  
STUDIOMUNGE.COM

SCALE AS NOTED DATE 11/5/18

DRAWN BY LS CHECKED BY

PROJECT NAME SHANGRI-LA NANNING

DRAWING TITLE CG-105 DESK

PROJECT NUMBER 16108

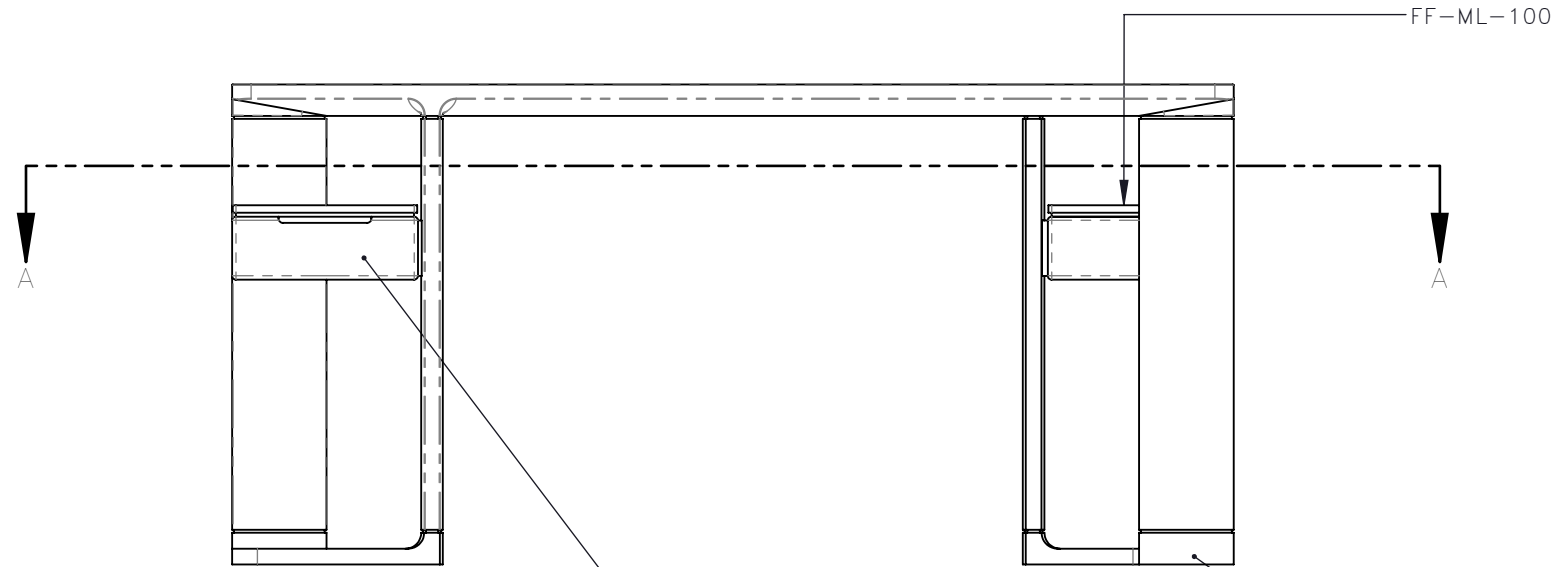
DRAWING NUMBER 1 / 5

FOR DESIGN INTENT ONLY

DRAWING ARE NOT TO BE SCALED. CONTRACTOR MUST CHECK AND VERIFY ALL JOB DIMENSIONS, DRAWINGS, DETAILS AND SPECIFICATIONS; AND REPORT ANY DISCREPANCIES TO DESIGNER BEFORE PROCEEDING WITH WORK.

REV	ISSUED FOR	DATE

3MM RADIUS ON ALL EXPOSED EDGES

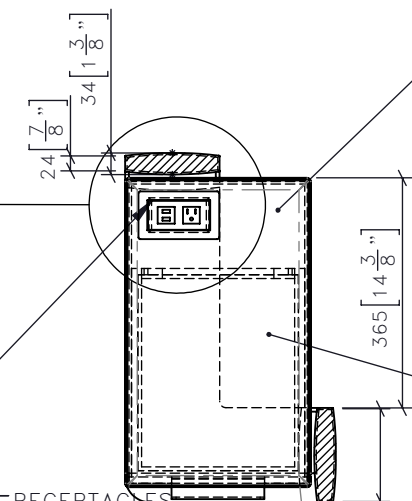
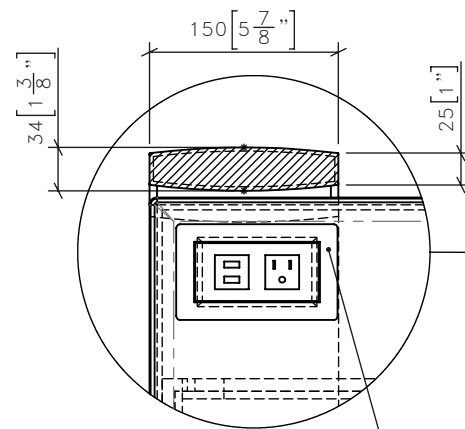


**4** | CG-105 | **DESK FRONT ELEVATION**  
1:12

DRAWER BOX WITH SOFT CLOSE UNDERMOUNT DRAWER SLIDES

WOOD LEG ASSEMBLY  
BOTTOM SURFACE TO BE CHANNELED FOR CABLE PASSAGE THROUGH LEG FROM FLOOR MOUNTED BOX BELOW

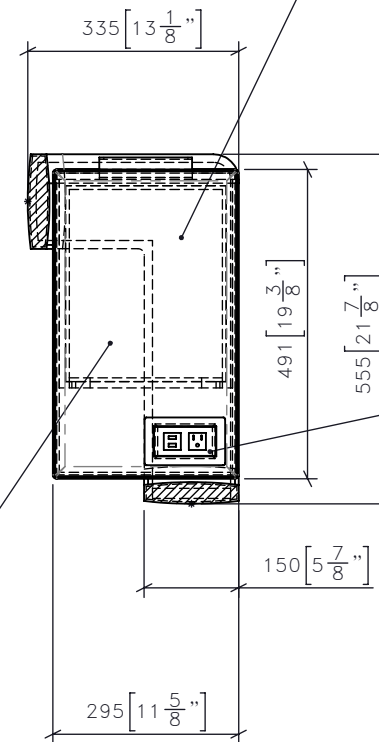
ADD LEVELERS AS NEEDED



FF-ML-XX  
BUILT IN METAL TRAY

RECEPTACLES AND PLATES TO MATCH FF-ML-100

FLOATING DRAWER BOXES WITH INTEGRATED 2 GANG POWER/USB MODULES



RECEPTACLES AND PLATES TO MATCH FF-ML-100

**5** | CG-105 | **DESK SECTION A**  
1:12

3MM RADIUS ON ALL EXPOSED EDGES

<b>SCALE</b> AS NOTED	<b>DATE</b> 11/5/18
<b>DRAWN BY</b> LS	<b>CHECKED BY</b>
<b>PROJECT NAME</b>  SHANGRI-LA NANNING	
<b>DRAWING TITLE</b>  CG-105 DESK	
<b>PROJECT NUMBER</b> 16108	
<b>DRAWING NUMBER</b> 2 / 5	

STUDIO MUNGE

FOR DESIGN INTENT ONLY

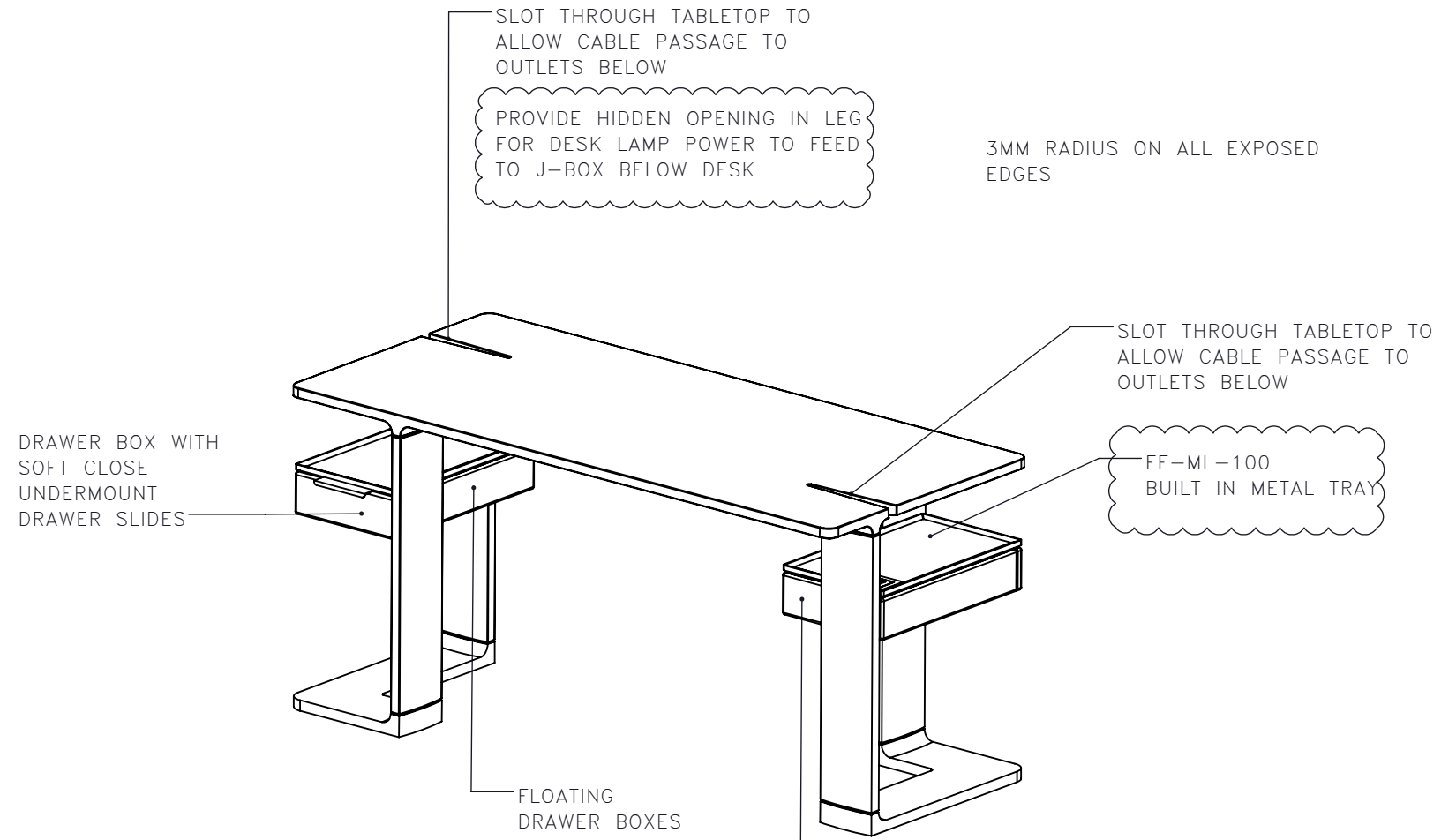
DRAWING ARE NOT TO BE SCALED. CONTRACTOR MUST CHECK AND VERIFY ALL JOB DIMENSIONS, DRAWINGS, DETAILS AND SPECIFICATIONS; AND REPORT ANY DISCREPANCIES TO DESIGNER BEFORE PROCEEDING WITH WORK.

REV	ISSUED FOR	DATE

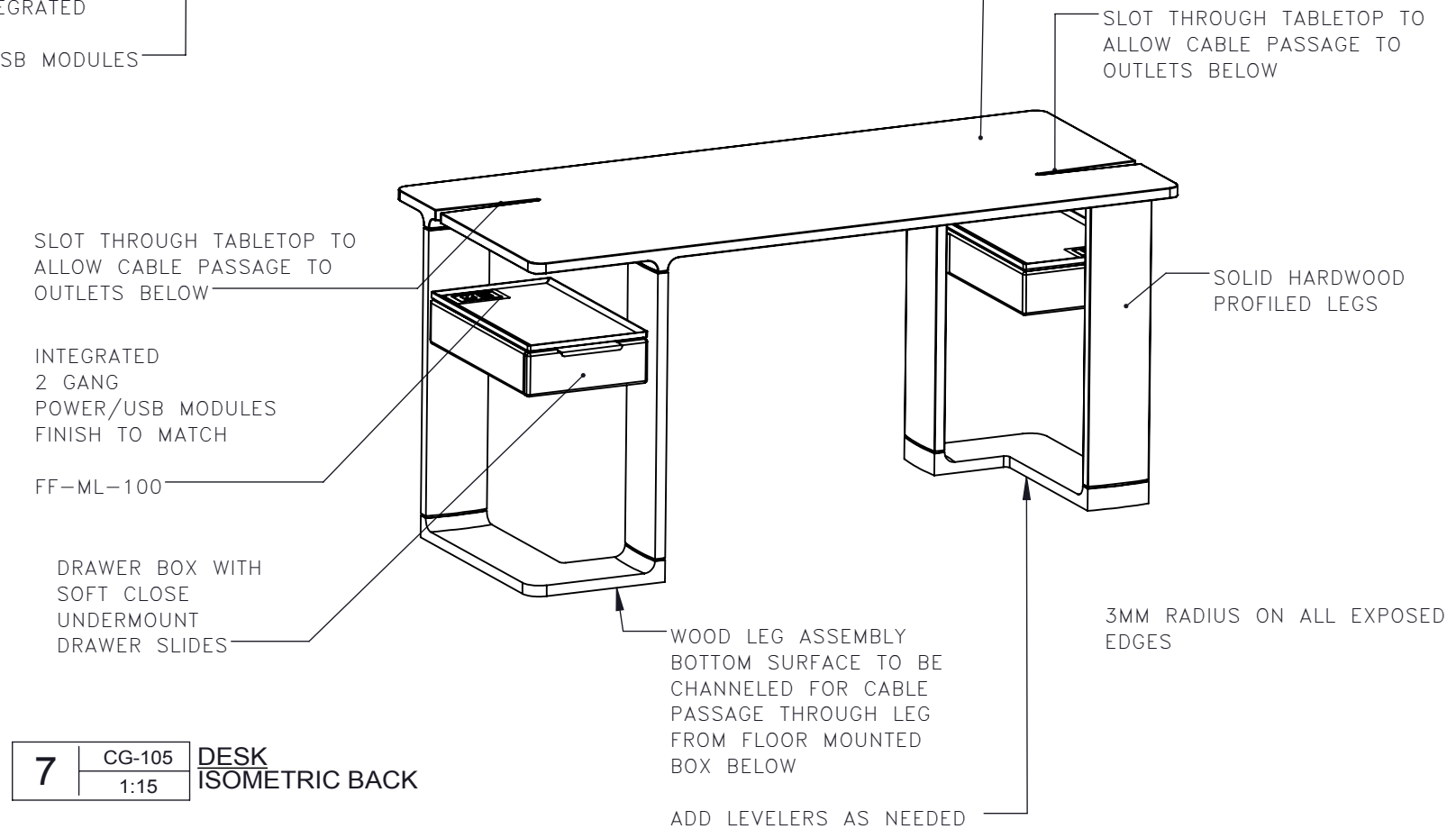
**STUDIO MUNGE**  
 25 WINGOLD AVENUE  
 TORONTO, ONTARIO  
 M6B 1P8 CANADA  
 416.588.1668  
 STUDIOMUNGE.COM

<b>SCALE</b> AS NOTED	<b>DATE</b> 11/5/18
<b>DRAWN BY</b> LS	<b>CHECKED BY</b>
<b>PROJECT NAME</b>  SHANGRI-LA NANNING	
<b>DRAWING TITLE</b>  CG-105 DESK	
<b>PROJECT NUMBER</b> 16108	
<b>DRAWING NUMBER</b> 3 / 5	

**6** | CG-105 | **DESK**  
1:15 | **ISOMETRIC FRONT**



**7** | CG-105 | **DESK**  
1:15 | **ISOMETRIC BACK**

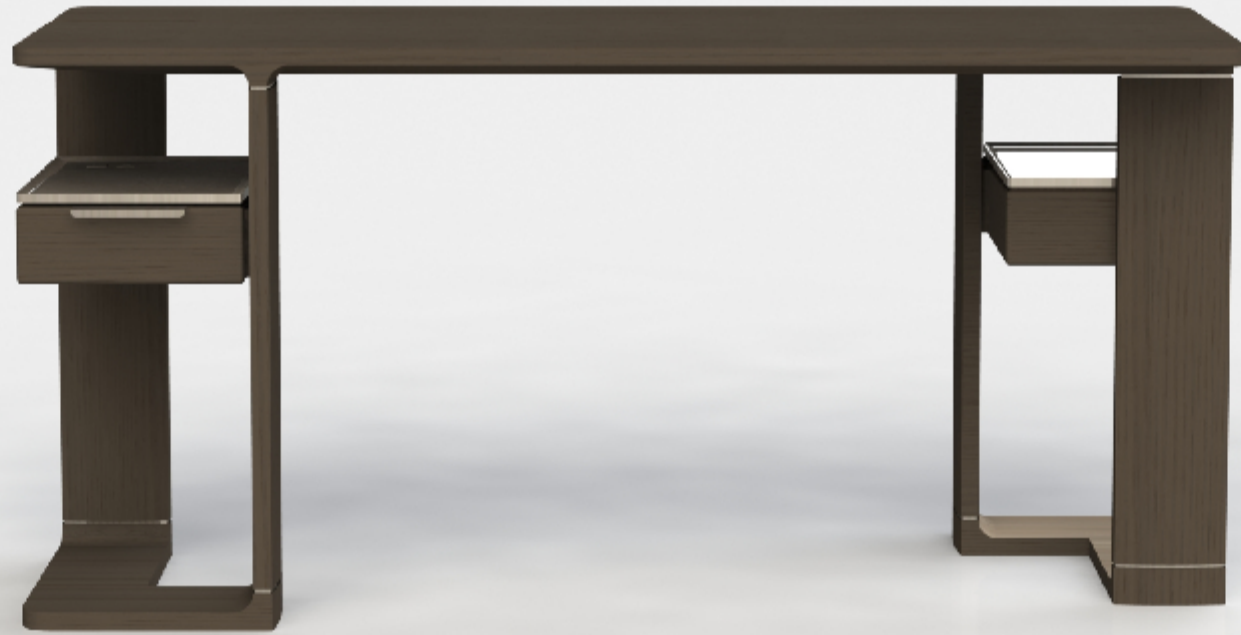


STUDIO MUNGE  
Y  
E  
M  
D  
C  
B  
A  
Y

FOR DESIGN INTENT ONLY

DRAWING ARE NOT TO BE SCALED. CONTRACTOR MUST CHECK AND VERIFY ALL JOB DIMENSIONS, DRAWINGS, DETAILS AND SPECIFICATIONS; AND REPORT ANY DISCREPANCIES TO DESIGNER BEFORE PROCEEDING WITH WORK.

REV	ISSUED FOR	DATE



**STUDIO MUNGE**  
25 WINGOLD AVENUE  
TORONTO, ONTARIO  
M6B 1P8 CANADA  
416.588.1668  
STUDIOMUNGE.COM

**SCALE** AS NOTED      **DATE** 11/5/18

**DRAWN BY** LS      **CHECKED BY**

**PROJECT NAME**  
SHANGRI-LA NANNING

**DRAWING TITLE**  
CG-105  
DESK

**PROJECT NUMBER**  
16108

**DRAWING NUMBER**  
4 / 5

8 | CG-105 | DESK  
NTS | | RENDERED VIEW

STUDIO MUNGE  
Y  
F  
D  
C  
B  
A  
Y

FOR DESIGN INTENT ONLY

DRAWING ARE NOT TO BE SCALED. CONTRACTOR MUST CHECK AND VERIFY ALL JOB DIMENSIONS, DRAWINGS, DETAILS AND SPECIFICATIONS; AND REPORT ANY DISCREPANCIES TO DESIGNER BEFORE PROCEEDING WITH WORK.

REV	ISSUED FOR	DATE



**STUDIO MUNGE**  
25 WINGOLD AVENUE  
TORONTO, ONTARIO  
M6B 1P8 CANADA  
416.588.1668  
STUDIOMUNGE.COM

**SCALE** AS NOTED  
**DATE** 11/5/18

**DRAWN BY** LS  
**CHECKED BY**

**PROJECT NAME**  
SHANGRI-LA NANNING

**DRAWING TITLE**  
CG-105  
DESK

**PROJECT NUMBER**  
16108

**DRAWING NUMBER**  
5 / 5

9 | CG-105 | DESK  
| NTS | RENDERED VIEW