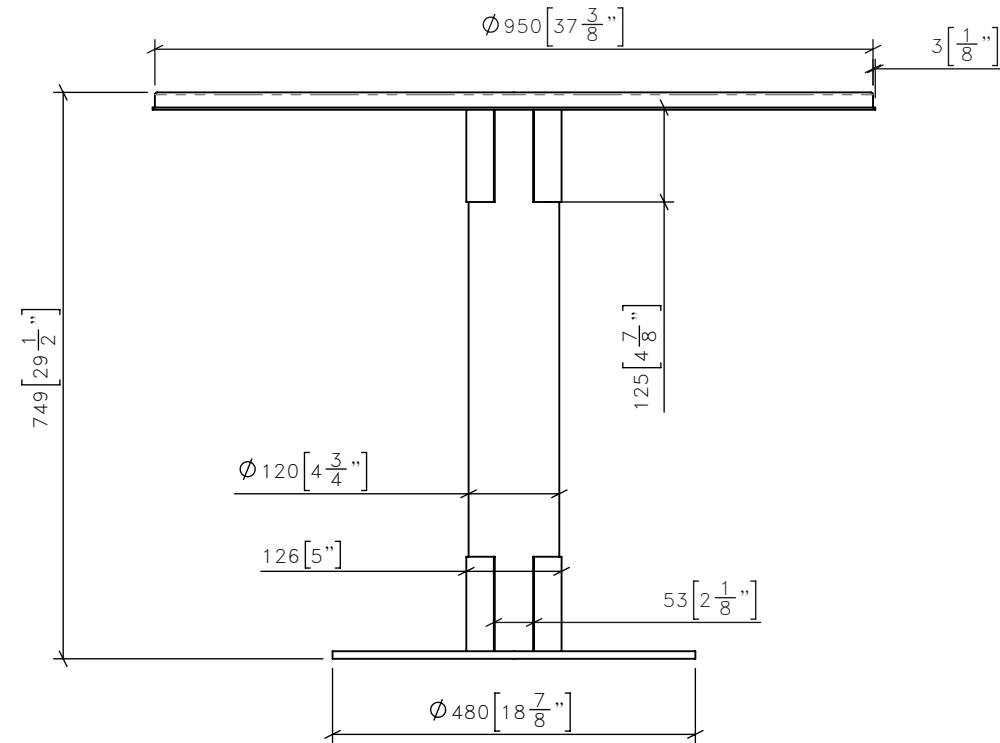


STUDIO MUNGE

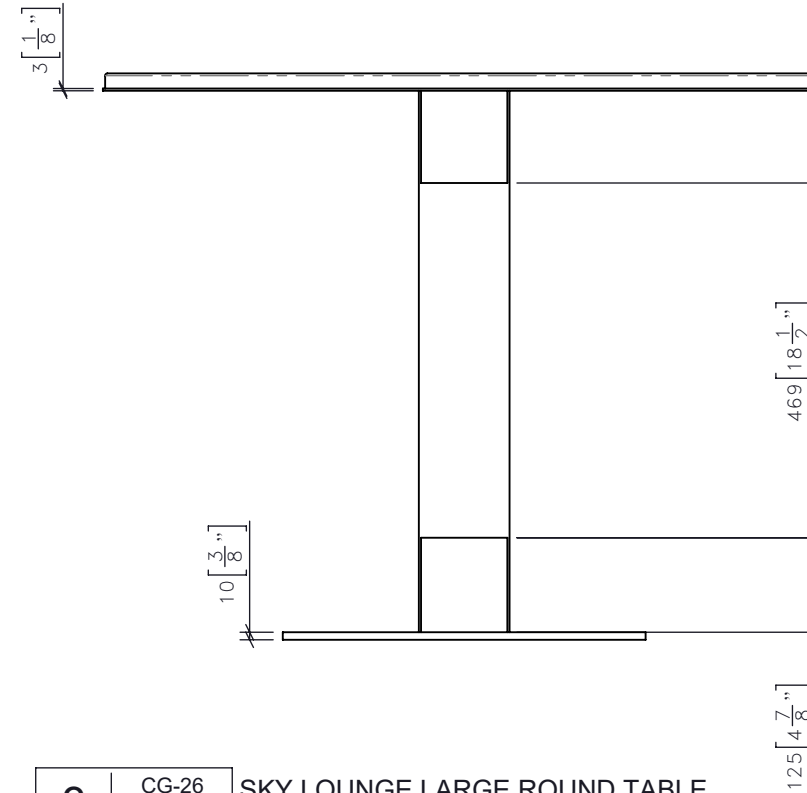
FOR DESIGN INTENT ONLY

DRAWING ARE NOT TO BE SCALED. CONTRACTOR MUST CHECK AND VERIFY ALL JOB DIMENSIONS, DRAWINGS, DETAILS AND SPECIFICATIONS; AND REPORT ANY DISCREPANCIES TO DESIGNER BEFORE PROCEEDING WITH WORK.

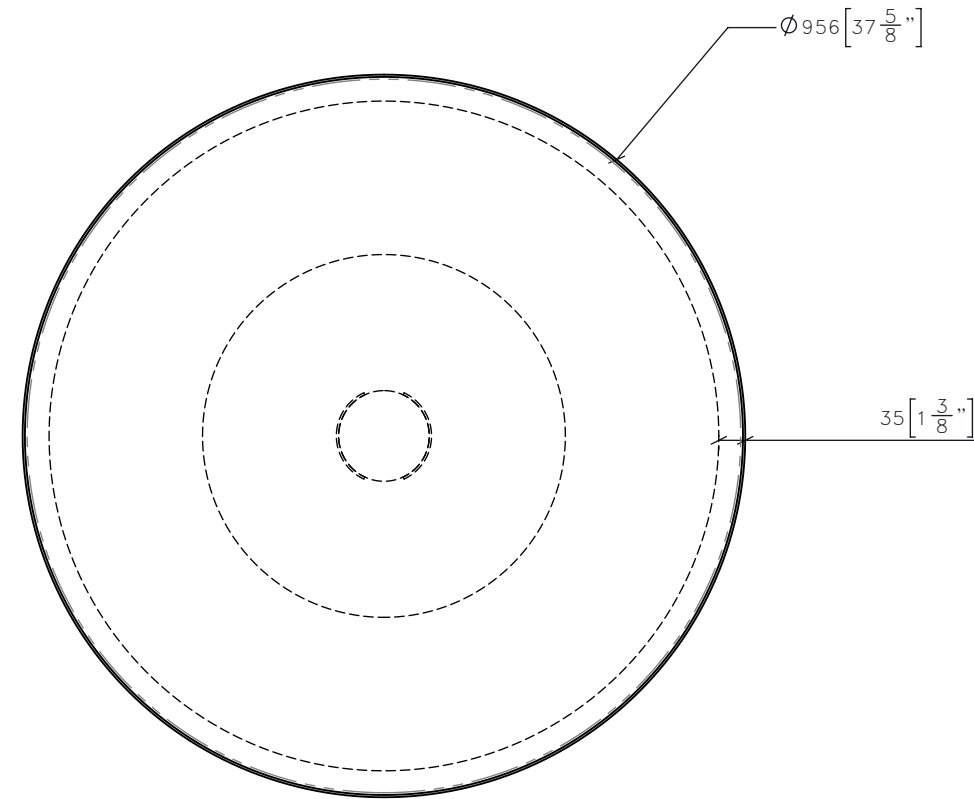
-REV/	-ISSUED FOR	-DATE



1 CG-26 SKY LOUNGE LARGE ROUND TABLE
1:10 FRONT ELEVATION



3 CG-26 SKY LOUNGE LARGE ROUND TABLE
1:10 SIDE ELEVATION



2 CG-26 SKY LOUNGE LARGE ROUND TABLE
1:10 PLAN

STUDIO MUNGE
25 WINGOLD AVENUE
TORONTO, ONTARIO
M6B 1P8 CANADA
416.588.1668
STUDIOMUNGE.COM

-SCALE AS NOTED	-DATE 4/26/20
-DRAWN BY AM	-CHECKED BY
-PROJECT NAME SHANGRILA NANNING	
-DRAWING TITLE CG-26 SKY LOUNGE LARGE ROUND TABLE	
-PROJECT NUMBER 16108	
-DRAWING NUMBER 1 / 2	

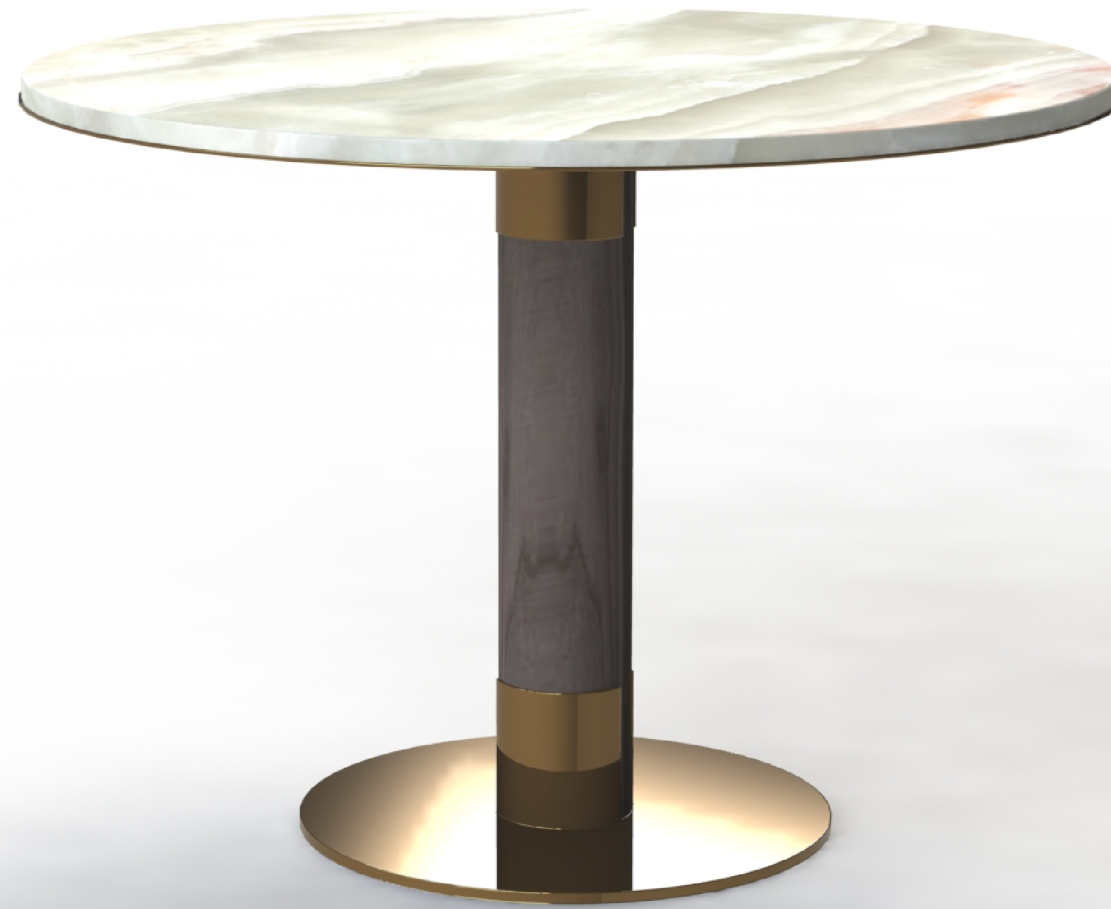
STUDIO MUNGE
Y
E
M
D
C
B
A
Y

1 2 3 4 5 6

FOR DESIGN INTENT ONLY

DRAWING ARE NOT TO BE SCALED. CONTRACTOR MUST CHECK AND VERIFY ALL JOB DIMENSIONS, DRAWINGS, DETAILS AND SPECIFICATIONS; AND REPORT ANY DISCREPANCIES TO DESIGNER BEFORE PROCEEDING WITH WORK.

-REV/	-ISSUED FOR	-DATE



**STUDIO
MUNGE**
25 WINGOLD AVENUE
TORONTO, ONTARIO
M6B 1P8 CANADA
416.588.1668
STUDIOMUNGE.COM

-SCALE AS NOTED	-DATE 4/26/20
-DRAWN BY AM	-CHECKED BY
-PROJECT NAME SHANGRILA NANNING	
-DRAWING TITLE CG-26 SKY LOUNGE LARGE ROUND TABLE	
-PROJECT NUMBER 16108	
-DRAWING NUMBER 2 / 2	

1 2 3 4 5 6