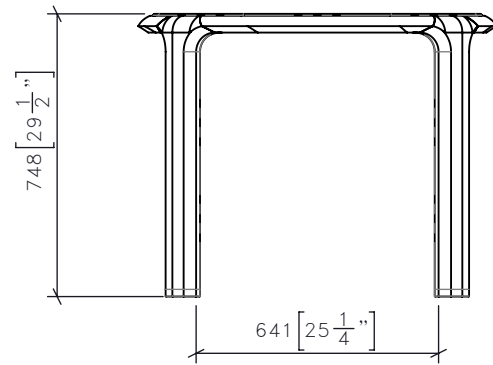


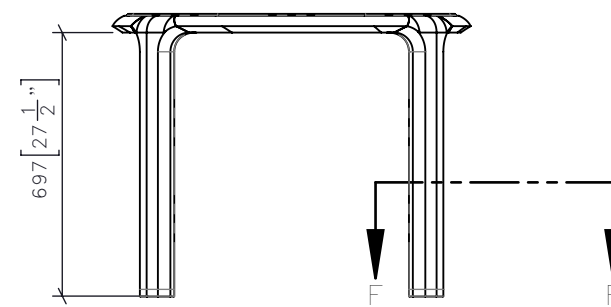
FOR DESIGN INTENT ONLY

DRAWING ARE NOT TO BE SCALED. CONTRACTOR MUST CHECK AND VERIFY ALL JOB DIMENSIONS, DRAWINGS, DETAILS AND SPECIFICATIONS; AND REPORT ANY DISCREPANCIES TO DESIGNER BEFORE PROCEEDING WITH WORK.

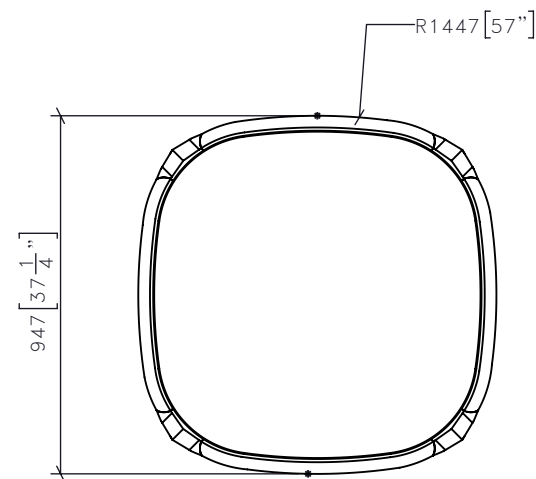
REV	ISSUED FOR	DATE



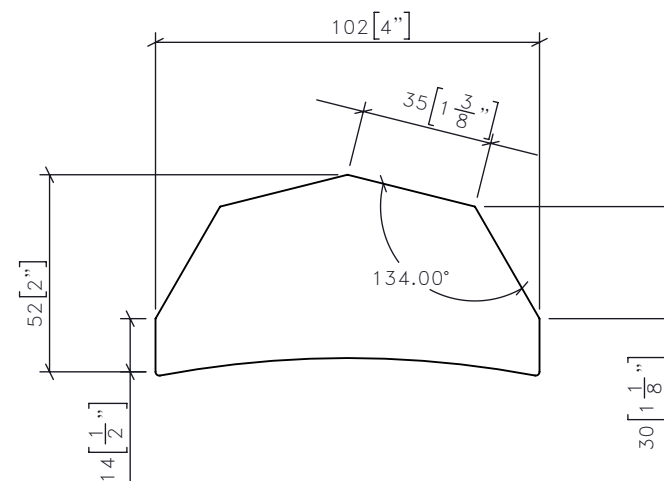
**1** CG-XX ROUND TABLE FRONT ELEVATION  
1:20



**3** CG-XX ROUND TABLE SIDE ELEVATION  
1:20



**2** CG-XX ROUND TABLE PLAN  
1:20



**4** CG-XX ROUND TABLE SECTION F-F  
1:20

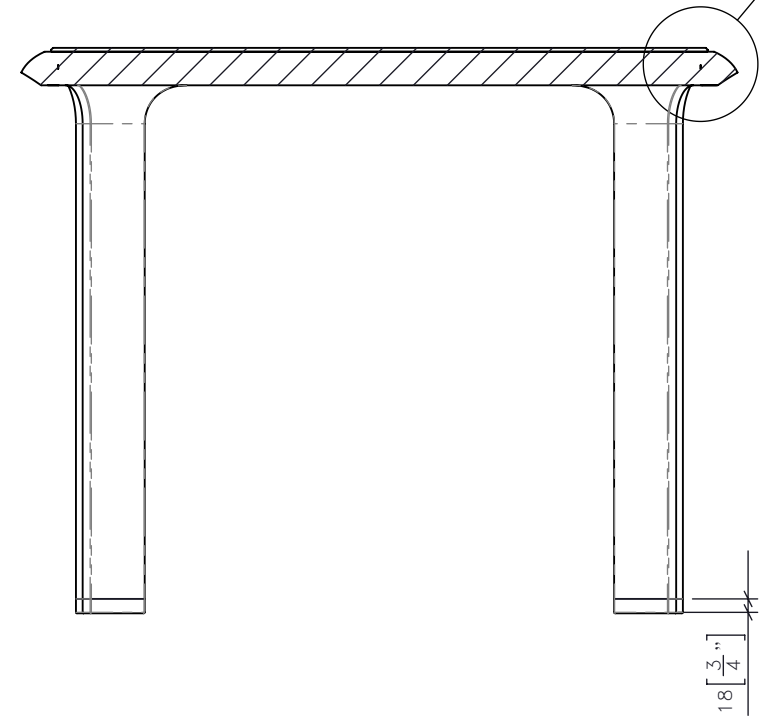
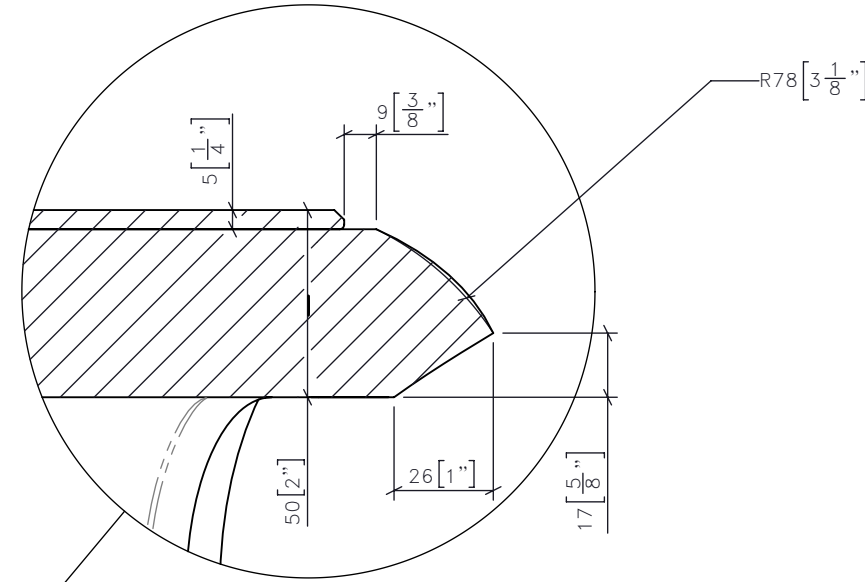
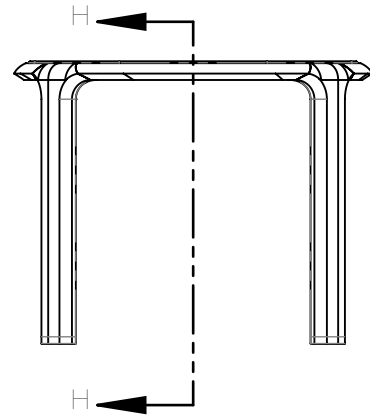
**STUDIO MUNGE**  
25 WINGOLD AVENUE  
TORONTO, ONTARIO  
M6B 1P8 CANADA  
416.588.1668  
STUDIOMUNGE.COM

<b>-SCALE</b> AS NOTED	<b>-DATE</b> 4/26/20
<b>-DRAWN BY</b> RC	<b>-CHECKED BY</b>
<b>-PROJECT NAME</b>  SHANGRI-LA NANNING	
<b>-DRAWING TITLE</b>  CG-XX ROUND TABLE	
<b>-PROJECT NUMBER</b> 16108	
<b>-DRAWING NUMBER</b> 1 / 4	

STUDIO MUNGE

FOR DESIGN INTENT ONLY

DRAWING ARE NOT TO BE SCALED. CONTRACTOR MUST CHECK AND VERIFY ALL JOB DIMENSIONS, DRAWINGS, DETAILS AND SPECIFICATIONS; AND REPORT ANY DISCREPANCIES TO DESIGNER BEFORE PROCEEDING WITH WORK.



-REV/	-ISSUED FOR	-DATE

**STUDIO MUNGE**  
 25 WINGOLD AVENUE  
 TORONTO, ONTARIO  
 M6B 1P8 CANADA  
 416.588.1668  
 STUDIOMUNGE.COM

**-SCALE**  
AS NOTED

**-DATE**  
4/26/20

**-DRAWN BY**  
RC

**-CHECKED BY**

**-PROJECT NAME**  
  
SHANGRI-LA NANNING

**-DRAWING TITLE**  
  
CG-XX  
ROUND TABLE

**-PROJECT NUMBER**  
16108

**-DRAWING NUMBER**  
2 / 4

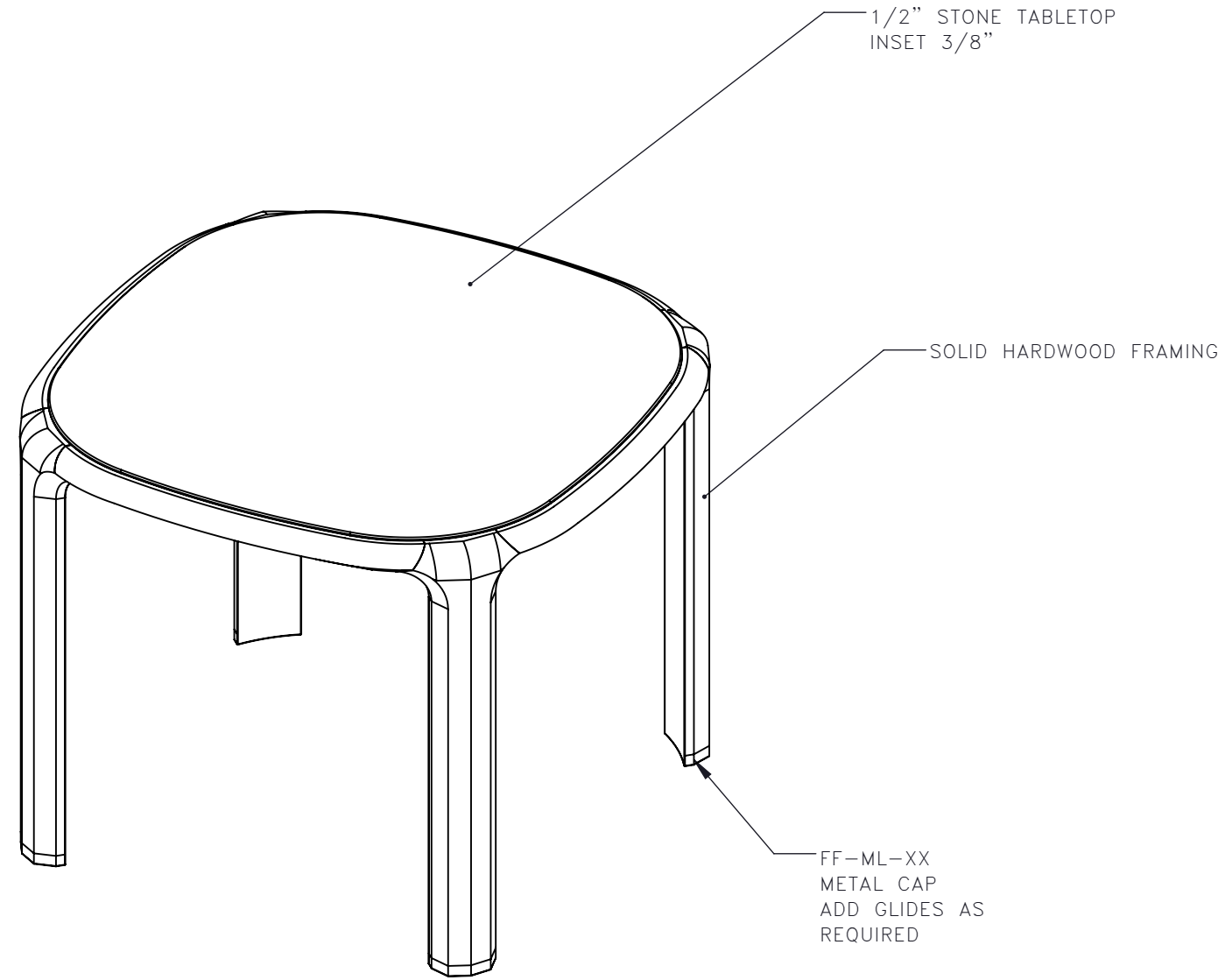
**5** | CG-XX | **ROUND TABLE**  
1:20 | SECTION H-H

STUDIO MUNGE  
E  
D  
C  
B  
A  
X  
Y

FOR DESIGN INTENT ONLY

DRAWING ARE NOT TO BE SCALED. CONTRACTOR MUST CHECK AND VERIFY ALL JOB DIMENSIONS, DRAWINGS, DETAILS AND SPECIFICATIONS; AND REPORT ANY DISCREPANCIES TO DESIGNER BEFORE PROCEEDING WITH WORK.

-REV/	-ISSUED FOR	-DATE



**STUDIO  
MUNGE**  
25 WINGOLD AVENUE  
TORONTO, ONTARIO  
M6B 1P8 CANADA  
416.588.1668  
STUDIOMUNGE.COM

**-SCALE**  
AS NOTED

**-DATE**  
4/26/20

**-DRAWN BY**  
RC

**-CHECKED BY**

**-PROJECT NAME**  
  
SHANGRI-LA NANNING

**-DRAWING TITLE**  
  
CG-XX  
ROUND TABLE

**-PROJECT NUMBER**  
16108

**-DRAWING NUMBER**  
3 / 4

**6** | CG-XX | **ROUND TABLE**  
1:10 | **ISOMETRIC FRONT**

STUDIO MUNGE  
E  
F  
D  
C  
B  
A  
Y

FOR DESIGN INTENT ONLY

DRAWING ARE NOT TO BE SCALED. CONTRACTOR MUST CHECK AND VERIFY ALL JOB DIMENSIONS, DRAWINGS, DETAILS AND SPECIFICATIONS; AND REPORT ANY DISCREPANCIES TO DESIGNER BEFORE PROCEEDING WITH WORK.

-REV/	-ISSUED FOR	-DATE



**STUDIO MUNGE**  
25 WINGOLD AVENUE  
TORONTO, ONTARIO  
M6B 1P8 CANADA  
416.588.1668  
STUDIOMUNGE.COM

**-SCALE**  
AS NOTED

**-DATE**  
4/26/20

**-DRAWN BY**  
RC

**-CHECKED BY**

**-PROJECT NAME**  
  
SHANGRI-LA NANNING

**-DRAWING TITLE**  
  
CG-XX  
ROUND TABLE

**-PROJECT NUMBER**  
16108

**-DRAWING NUMBER**  
4 / 4

**7** | CG-XX | **ROUND TABLE**  
1:10 | **RENDERED VIEW**