

-REV/	-ISSUED FOR	-DATE

**STUDIO MUNGE**  
 25 WINGOLD AVENUE  
 TORONTO, ONTARIO  
 M6B 1P8 CANADA  
 416.588.1668  
 STUDIOMUNGE.COM

**-SCALE**  
AS NOTED

**-DATE**  
2/13/19

**-DRAWN BY**  
RC

**-CHECKED BY**

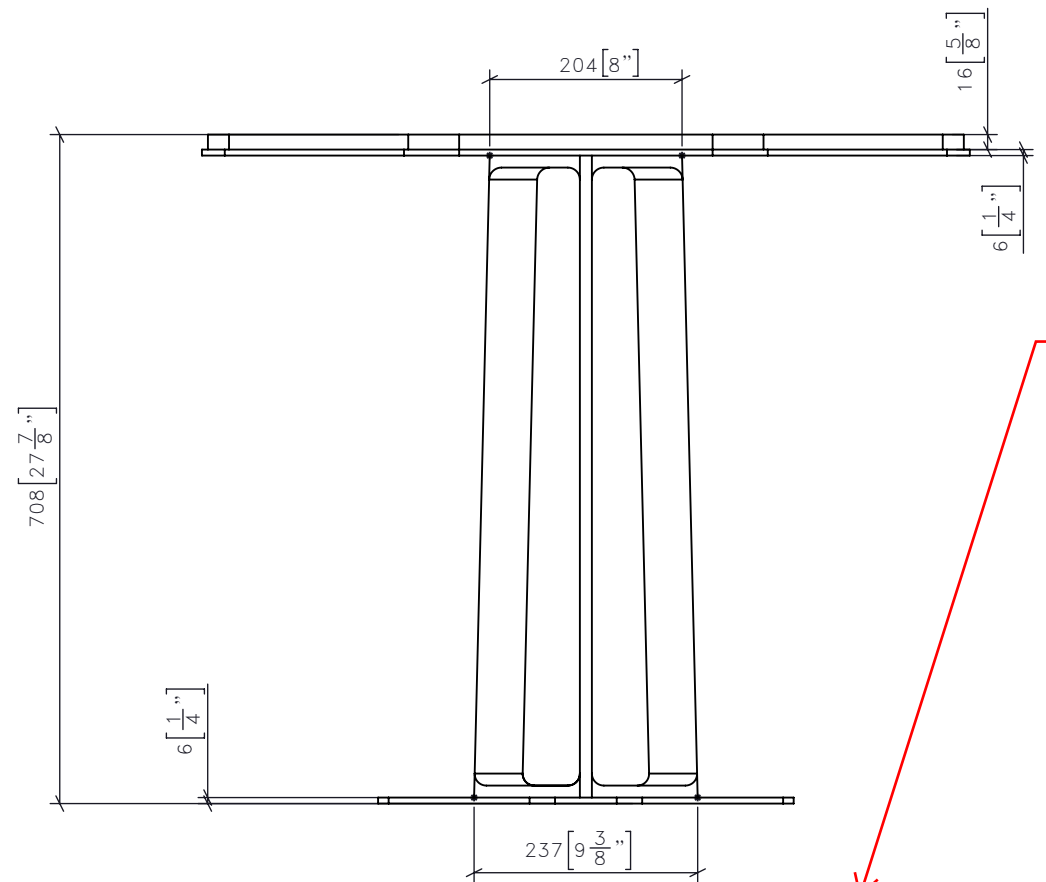
**-PROJECT NAME**  
  
SHANGRI-LA NANNING

**-DRAWING TITLE**  
  
CG-XX  
LOUNGE DINING TABLE

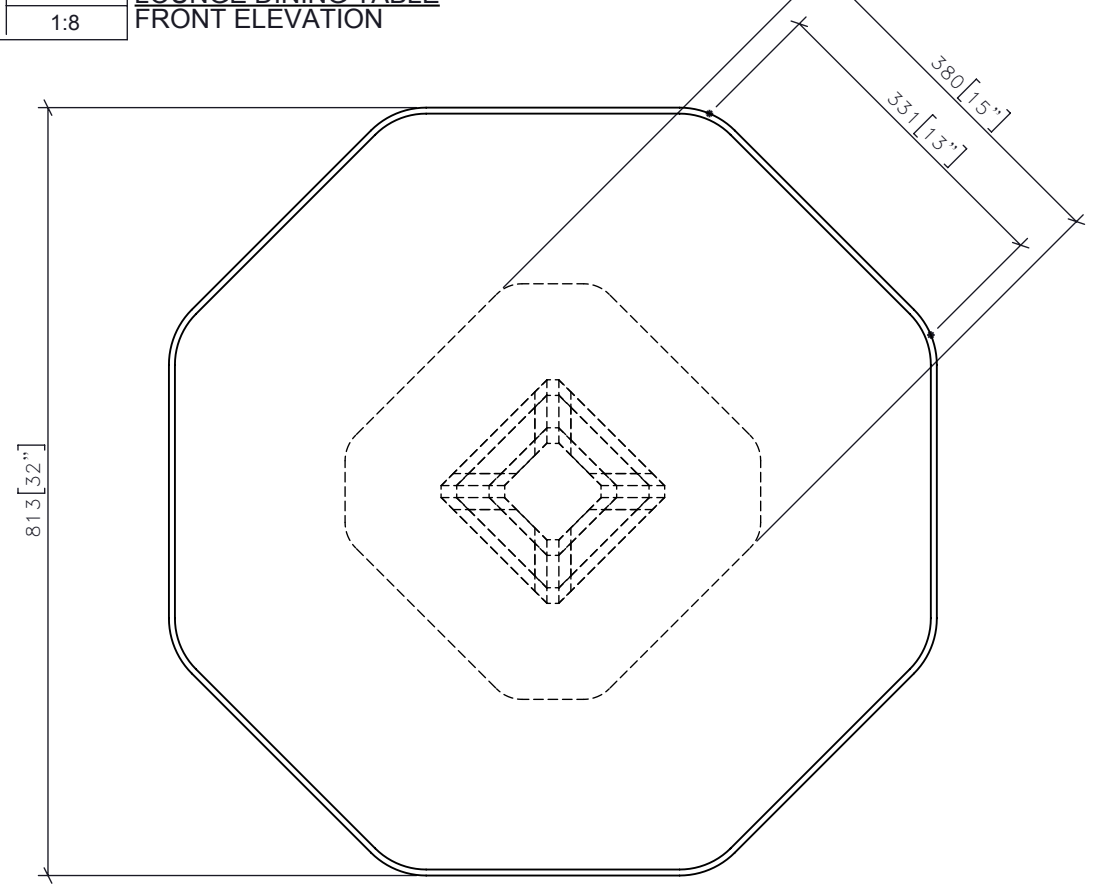
**-PROJECT NUMBER**  
16108

**-DRAWING NUMBER**  
1 / 2

**1** CG-XX  
1:8 LOUNGE DINING TABLE  
FRONT ELEVATION



**2** CG-XX  
1:8 LOUNGE DINING TABLE  
PLAN



**INCREASE**

FF-ML-XX  
METAL TRIM  
TO PREVENT  
DAMAGE TO STONE  
TOP

FF-ST-XX  
STONE TOP

FF-ML-XX  
METAL FRAME  
CONSTRUCTION

ALL SEAMS TO BE  
WELDED AND  
SANDED

ADD GLIDES AS NEEDED

STUDIO MUNGE  
E  
D  
C  
B  
A  
Y

FOR DESIGN INTENT ONLY

DRAWING ARE NOT TO BE SCALED. CONTRACTOR MUST CHECK AND VERIFY ALL JOB DIMENSIONS, DRAWINGS, DETAILS AND SPECIFICATIONS; AND REPORT ANY DISCREPANCIES TO DESIGNER BEFORE PROCEEDING WITH WORK.



-REV/	-ISSUED FOR	-DATE

**STUDIO  
MUNGE**  
25 WINGOLD AVENUE  
TORONTO, ONTARIO  
M6B 1P8 CANADA  
416.588.1668  
STUDIOMUNGE.COM

**-SCALE**  
AS NOTED

**-DATE**  
2/13/19

**-DRAWN BY**  
RC

**-CHECKED BY**

**-PROJECT NAME**  
  
SHANGRI-LA NANNING

**-DRAWING TITLE**  
  
CG-XX  
LOUNGE DINING TABLE

**-PROJECT NUMBER**  
16108

**-DRAWING NUMBER**  
2 / 2

**3** | CG-XX | LOUNGE DINING TABLE  
1:10 | RENDERED VIEW