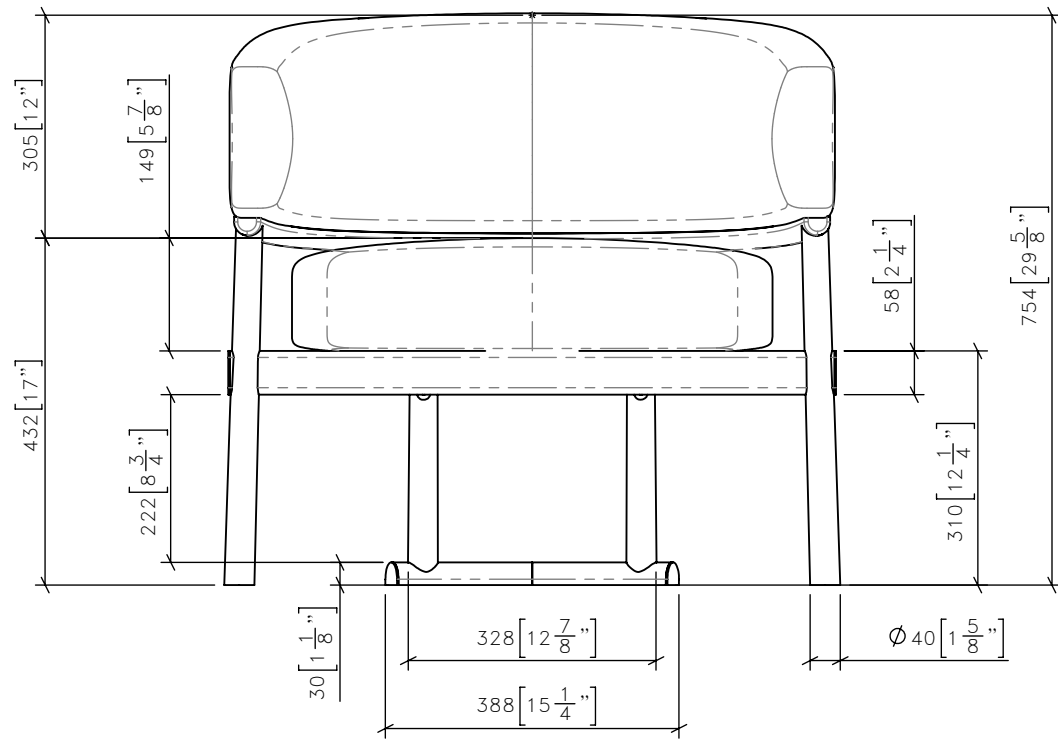
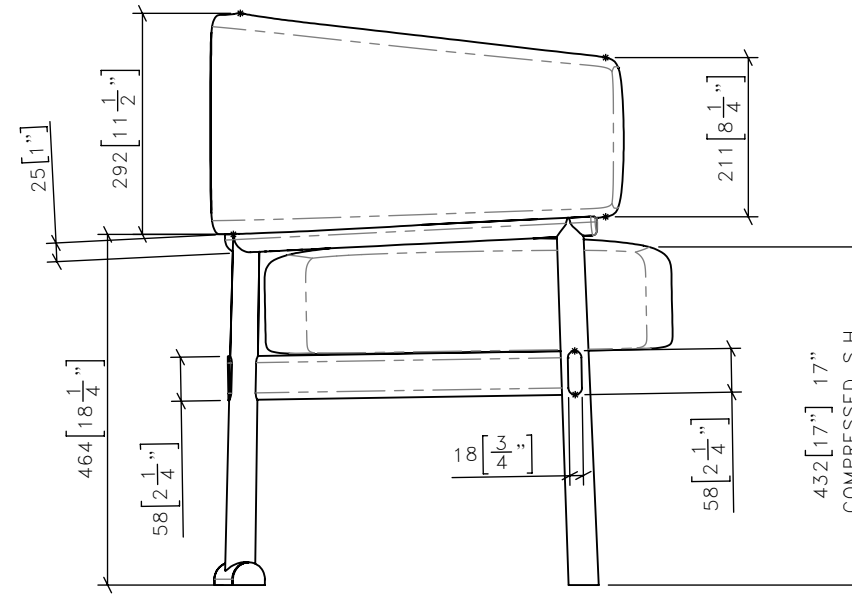


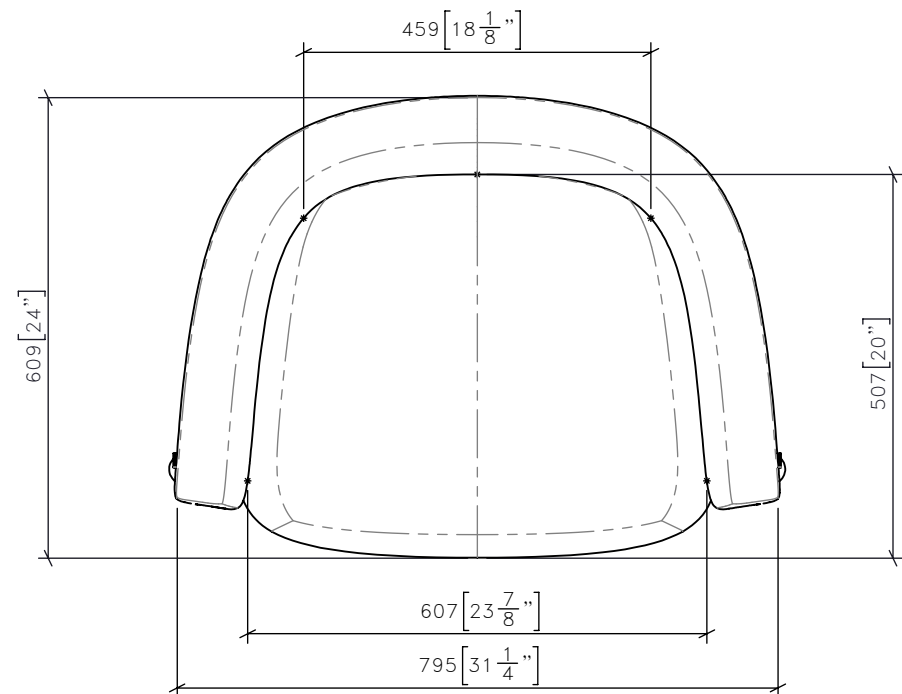
-REV/	-ISSUED FOR	-DATE



1 | SG-24 | SKY LOUNGE CHAIR
1:10 | FRONT ELEVATION



3 | SG-24 | SKY LOUNGE CHAIR
1:10 | SIDE ELEVATION



2 | SG-24 | SKY LOUNGE CHAIR
1:10 | PLAN

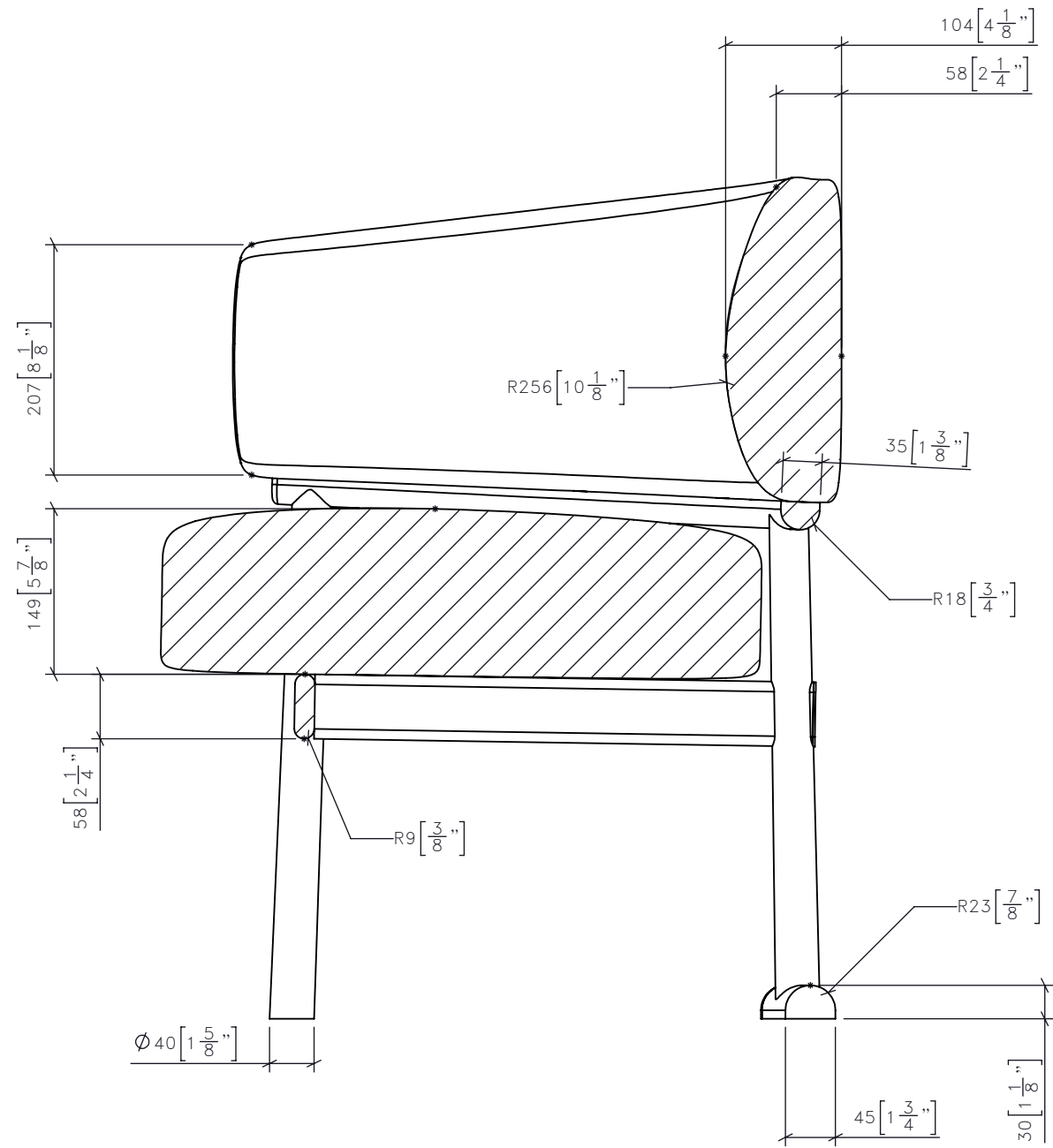
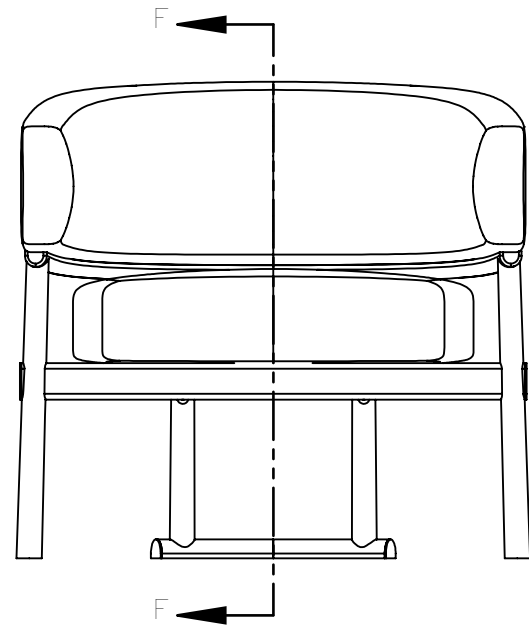
STUDIO MUNGE
25 WINGOLD AVENUE
TORONTO, ONTARIO
M6B 1P8 CANADA
416.588.1668
STUDIOMUNGE.COM

-SCALE AS NOTED	-DATE 2020-04-23
-DRAWN BY AM	-CHECKED BY
-PROJECT NAME SHANGRILA NANNING	
-DRAWING TITLE SG-24 SKY LOUNGE CHAIR	
-PROJECT NUMBER 16108	
-DRAWING NUMBER 1 / 5	

FOR DESIGN INTENT ONLY

DRAWING ARE NOT TO BE SCALED. CONTRACTOR MUST CHECK AND VERIFY ALL JOB DIMENSIONS, DRAWINGS, DETAILS AND SPECIFICATIONS; AND REPORT ANY DISCREPANCIES TO DESIGNER BEFORE PROCEEDING WITH WORK.

-REV/	-ISSUED FOR	-DATE



4	SG-24	SKY LOUNGE CHAIR SECTION F-F
	1:12	

STUDIO MUNGE
 25 WINGOLD AVENUE
 TORONTO, ONTARIO
 M6B 1P8 CANADA
 416.588.1668
 STUDIOMUNGE.COM

-SCALE
AS NOTED

-DATE
2020-04-23

-DRAWN BY
AM

-CHECKED BY

-PROJECT NAME

SHANGRILA NANNING

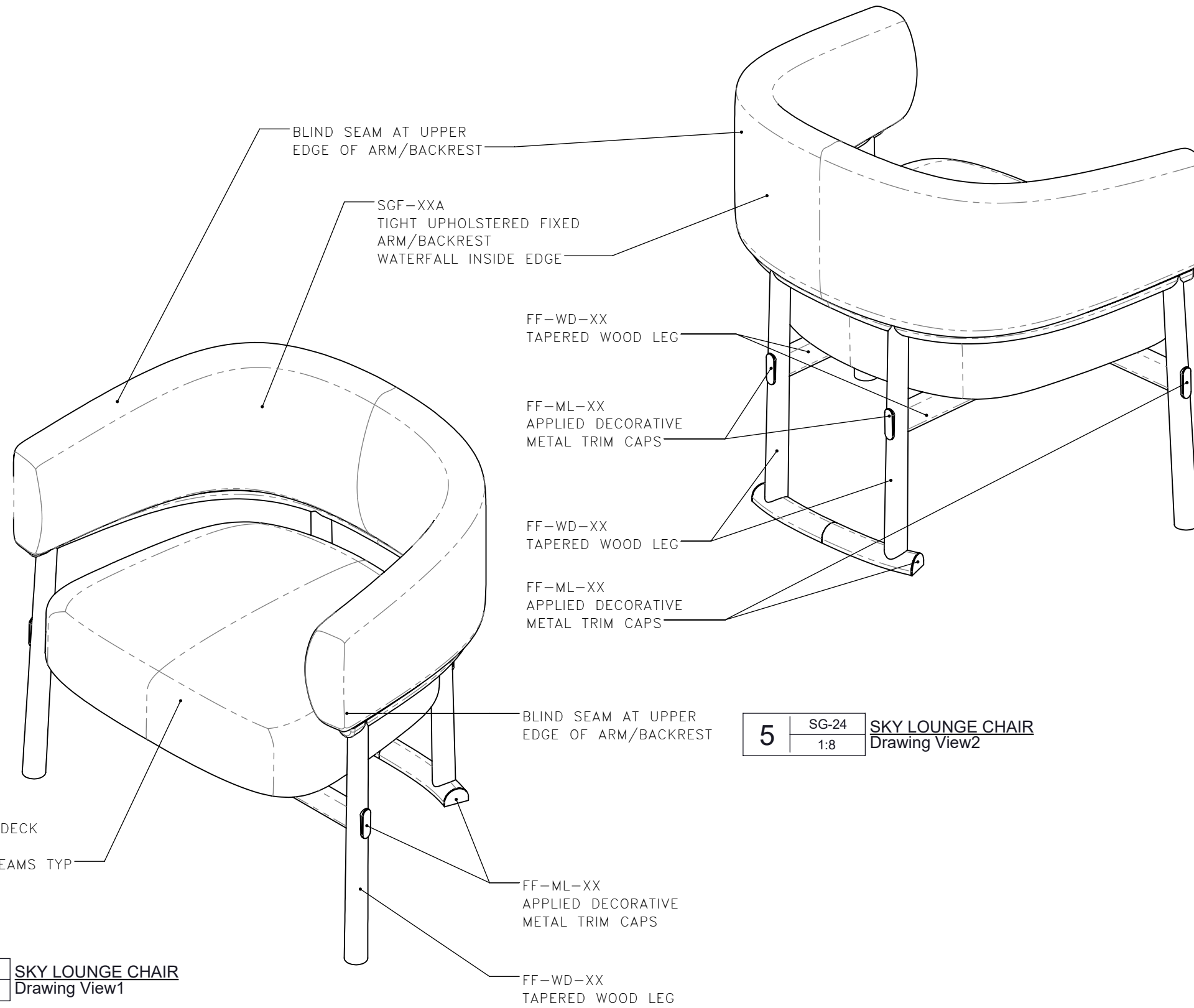
-DRAWING TITLE

SG-24
SKY LOUNGE CHAIR

-PROJECT NUMBER
16108

-DRAWING NUMBER
2 / 5

-REV/	-ISSUED FOR	-DATE



5	SG-24	SKY LOUNGE CHAIR
	1:8	

5	SG-24	SKY LOUNGE CHAIR
	1:8	

STUDIO MUNGE
 25 WINGOLD AVENUE
 TORONTO, ONTARIO
 M6B 1P8 CANADA
 416.588.1668
 STUDIOMUNGE.COM

-SCALE
AS NOTED

-DATE
2020-04-23

-DRAWN BY
AM

-CHECKED BY

-PROJECT NAME

SHANGRILA NANNING

-DRAWING TITLE

SG-24
SKY LOUNGE CHAIR

-PROJECT NUMBER
16108

-DRAWING NUMBER
3 / 5

STUDIO MUNGE
Y
E
M
D
C
B
A
Y

FOR DESIGN INTENT ONLY

DRAWING ARE NOT TO BE SCALED. CONTRACTOR MUST CHECK AND VERIFY ALL JOB DIMENSIONS, DRAWINGS, DETAILS AND SPECIFICATIONS; AND REPORT ANY DISCREPANCIES TO DESIGNER BEFORE PROCEEDING WITH WORK.

-REV/	-ISSUED FOR	-DATE



**STUDIO
MUNGE** 25 WINGOLD AVENUE
TORONTO, ONTARIO
M6B 1P8 CANADA
416.588.1668
STUDIOMUNGE.COM

-SCALE AS NOTED **-DATE** 2020-04-23

-DRAWN BY AM **-CHECKED BY**

-PROJECT NAME
SHANGRILA NANNING

-DRAWING TITLE
SG-24
SKY LOUNGE CHAIR

-PROJECT NUMBER
16108

-DRAWING NUMBER
4 / 5

STUDIO MUNGE
Y
E
M
D
C
B
A
Y

FOR DESIGN INTENT ONLY

DRAWING ARE NOT TO BE SCALED. CONTRACTOR MUST CHECK AND VERIFY ALL JOB DIMENSIONS, DRAWINGS, DETAILS AND SPECIFICATIONS; AND REPORT ANY DISCREPANCIES TO DESIGNER BEFORE PROCEEDING WITH WORK.

-REV/	-ISSUED FOR	-DATE



STUDIO MUNGE
25 WINGOLD AVENUE
TORONTO, ONTARIO
M6B 1P8 CANADA
416.588.1668
STUDIOMUNGE.COM

-SCALE
AS NOTED

-DATE
2020-04-23

-DRAWN BY
AM

-CHECKED BY

-PROJECT NAME
SHANGRILA NANNING

-DRAWING TITLE
SG-24
SKY LOUNGE CHAIR

-PROJECT NUMBER
16108

-DRAWING NUMBER
5 / 5