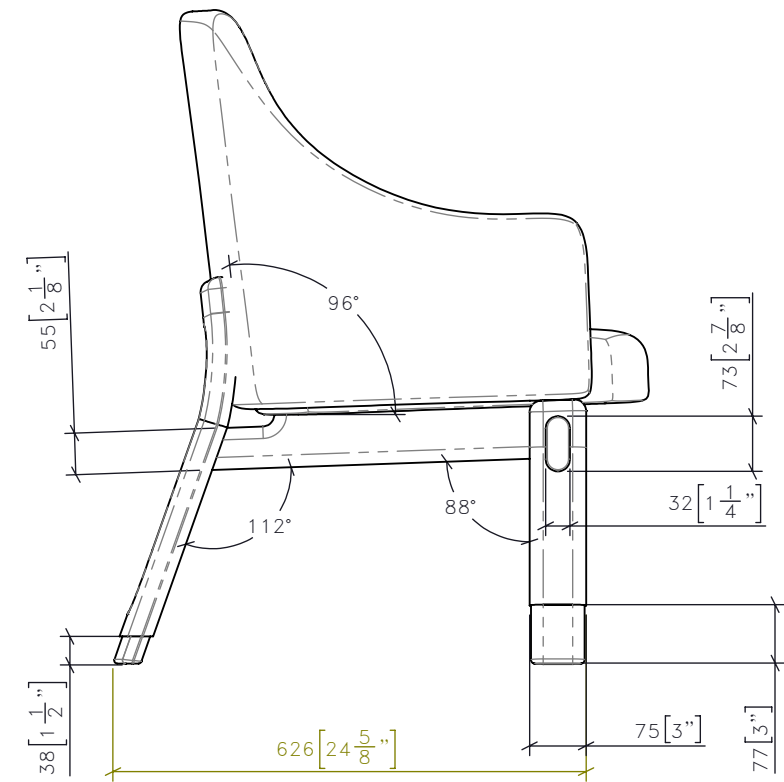
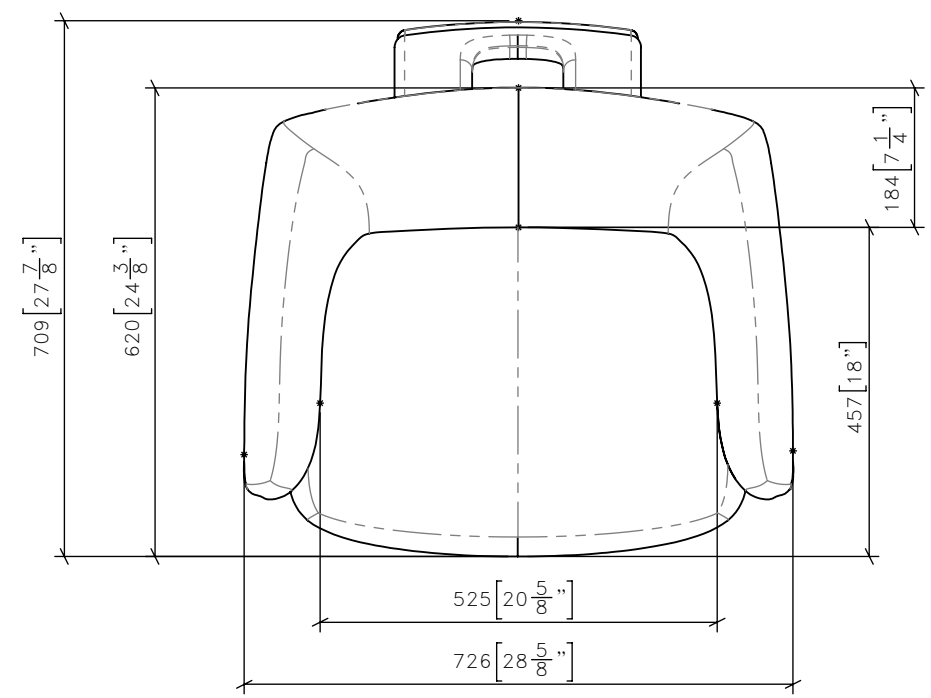


1 | SG-27 | SKY LOBBY DINING CHAIR
1:10 | FRONT ELEVATION



3 | SG-27 | SKY LOBBY DINING CHAIR
1:10 | SIDE ELEVATION



2 | SG-27 | SKY LOBBY DINING CHAIR
1:10 | PLAN (HIDDEN LINES SHOWN)

-REV/	-ISSUED FOR	-DATE

STUDIO MUNGE
 25 WINGOLD AVENUE
 TORONTO, ONTARIO
 M6B 1P8 CANADA
 416.588.1668
 STUDIOMUNGE.COM

-SCALE
AS NOTED

-DATE
2020-04-23

-DRAWN BY
LS

-CHECKED BY

-PROJECT NAME

SHANGRI LA NANNING

-DRAWING TITLE

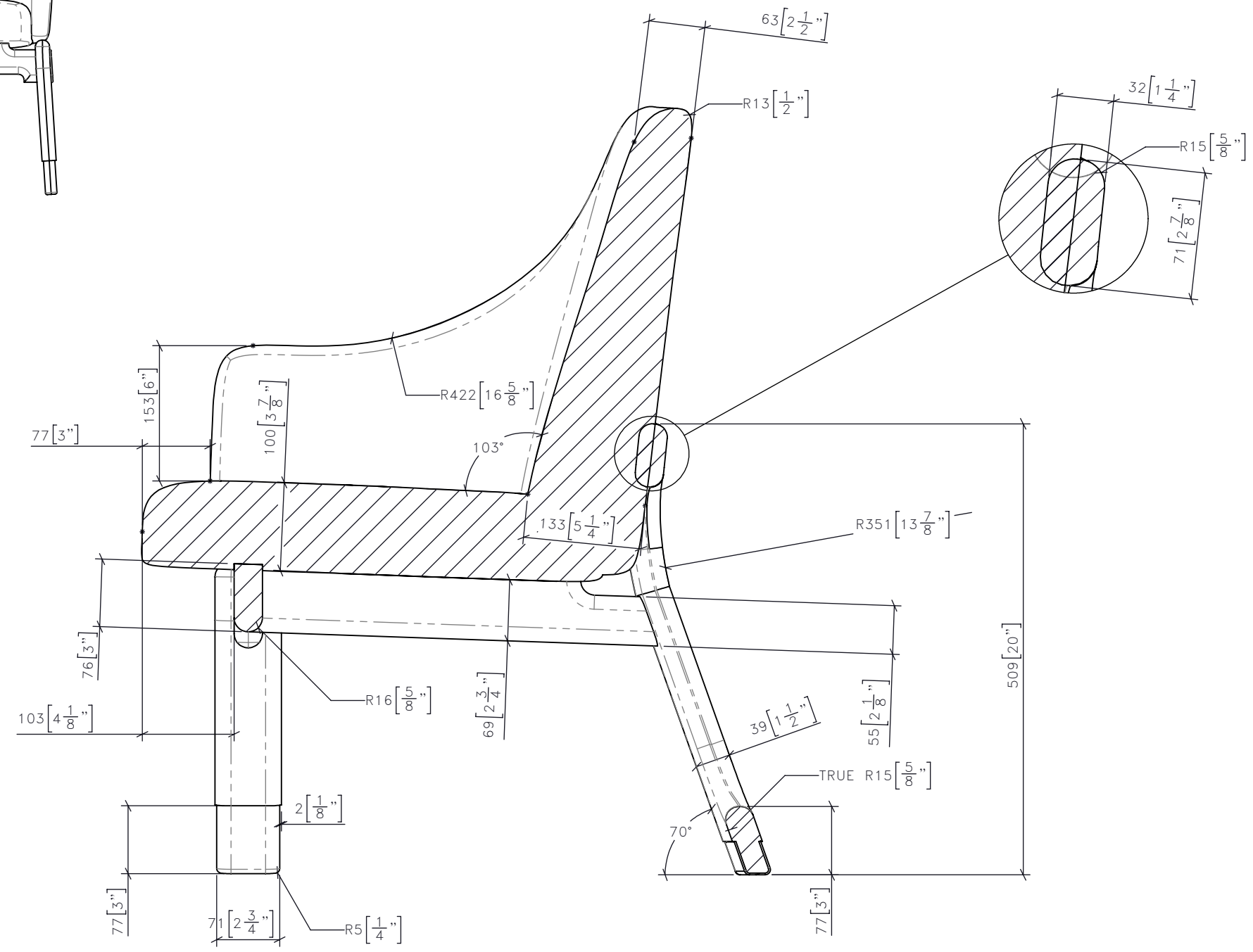
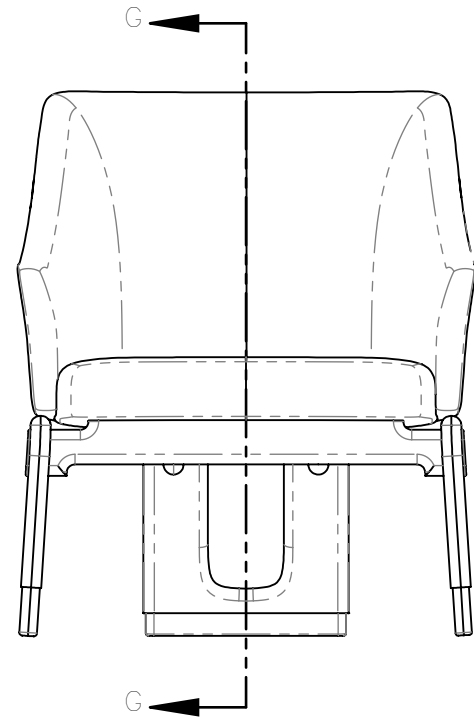
SG-27
SKY LOBBY DINING CHAIR

-PROJECT NUMBER
16108

-DRAWING NUMBER
1 / 5

FOR DESIGN INTENT ONLY

DRAWING ARE NOT TO BE SCALED. CONTRACTOR MUST CHECK AND VERIFY ALL JOB DIMENSIONS, DRAWINGS, DETAILS AND SPECIFICATIONS; AND REPORT ANY DISCREPANCIES TO DESIGNER BEFORE PROCEEDING WITH WORK.



-REV/	-ISSUED FOR	-DATE

STUDIO MUNGE
 25 WINGOLD AVENUE
 TORONTO, ONTARIO
 M6B 1P8 CANADA
 416.588.1668
 STUDIOMUNGE.COM

-SCALE
AS NOTED

-DATE
2020-04-23

-DRAWN BY
LS

-CHECKED BY

-PROJECT NAME

SHANGRI LA NANNING

-DRAWING TITLE

SG-27
SKY LOBBY DINING CHAIR

-PROJECT NUMBER
16108

-DRAWING NUMBER
2 / 5

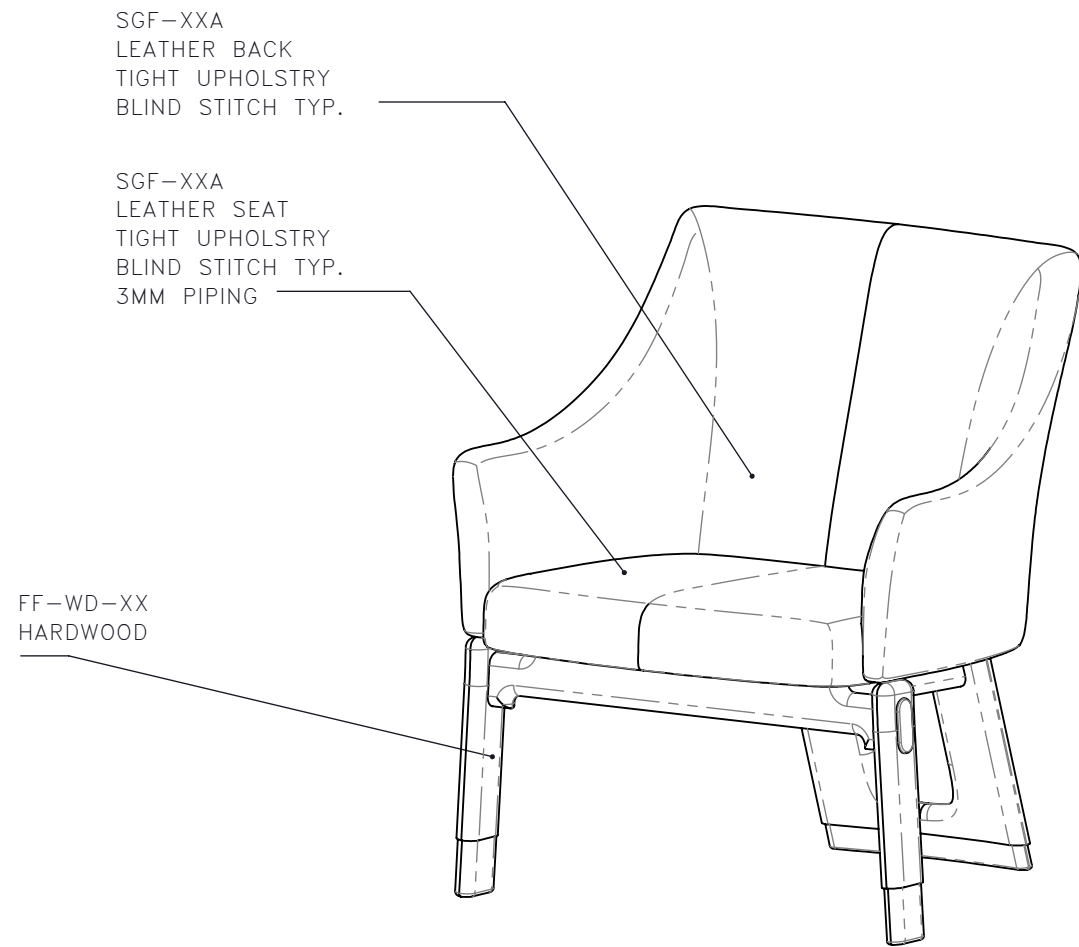
1 | SG-27 | SKY LOBBY DINING CHAIR
1:12 | SECTION G-G

STUDIO MUNGE

FOR DESIGN INTENT ONLY

DRAWING ARE NOT TO BE SCALED. CONTRACTOR MUST CHECK AND VERIFY ALL JOB DIMENSIONS, DRAWINGS, DETAILS AND SPECIFICATIONS; AND REPORT ANY DISCREPANCIES TO DESIGNER BEFORE PROCEEDING WITH WORK.

-REV/	-ISSUED FOR	-DATE



SGF-XXA
LEATHER BACK
TIGHT UPHOLSTRY
BLIND STITCH TYP.

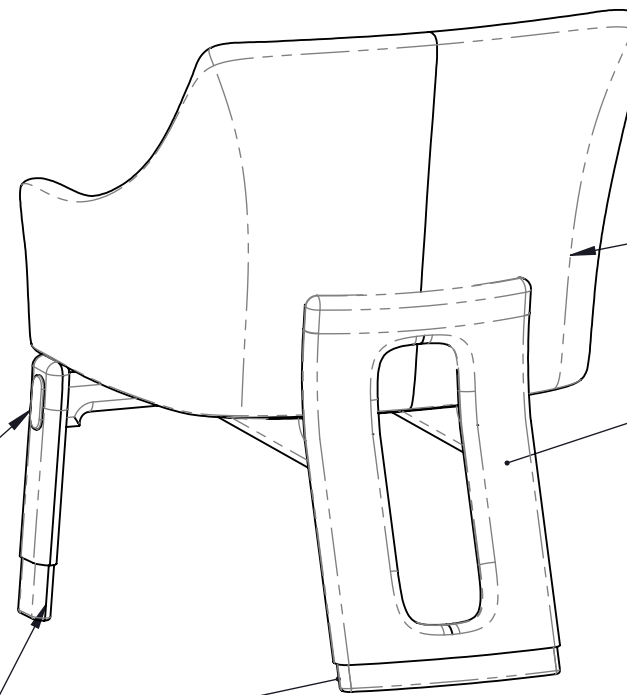
SGF-XXA
LEATHER SEAT
TIGHT UPHOLSTRY
BLIND STITCH TYP.
3MM PIPING

FF-WD-XX
HARDWOOD

4 | SG-27 | **SKY LOBBY DINING CHAIR**
1:10 | DIMETRIC FRONT

FF-WD-XX
HARDWOOD THRU JOINERY

FF-ML-XX
METAL FOOT CAPS
OILED BRASS
ADD GLIDES AS NEEDED



SGF-XXA
LEATHER BACK
TIGHT UPHOLSTRY
BLIND STITCH TYP.

FF-WD-XX
HARDWOOD
FRAME

5 | SG-27 | **SKY LOBBY DINING CHAIR**
1:10 | DIMETRIC BACK

STUDIO MUNGE
25 WINGOLD AVENUE
TORONTO, ONTARIO
M6B 1P8 CANADA
416.588.1668
STUDIOMUNGE.COM

-SCALE
AS NOTED

-DATE
2020-04-23

-DRAWN BY
LS

-CHECKED BY

-PROJECT NAME

SHANGRI LA NANNING

-DRAWING TITLE

SG-27
SKY LOBBY DINING CHAIR

-PROJECT NUMBER
16108

-DRAWING NUMBER
3 / 5

STUDIO MUNGE
E
D
C
B
A
Y

FOR DESIGN INTENT ONLY

DRAWING ARE NOT TO BE SCALED. CONTRACTOR MUST CHECK AND VERIFY ALL JOB DIMENSIONS, DRAWINGS, DETAILS AND SPECIFICATIONS; AND REPORT ANY DISCREPANCIES TO DESIGNER BEFORE PROCEEDING WITH WORK.

-REV/	-ISSUED FOR	-DATE



**STUDIO
MUNGE**
25 WINGOLD AVENUE
TORONTO, ONTARIO
M6B 1P8 CANADA
416.588.1668
STUDIOMUNGE.COM

-SCALE
AS NOTED

-DATE
2020-04-23

-DRAWN BY
LS

-CHECKED BY

-PROJECT NAME

SHANGRI LA NANNING

-DRAWING TITLE

SG-27
SKY LOBBY DINING CHAIR

-PROJECT NUMBER
16108

-DRAWING NUMBER
4 / 5

6	SG-27	<u>SKY LOBBY DINING CHAIR</u>
	1:10	

STUDIO MUNGE
E
D
C
B
A
Y

FOR DESIGN INTENT ONLY

DRAWING ARE NOT TO BE SCALED. CONTRACTOR MUST CHECK AND VERIFY ALL JOB DIMENSIONS, DRAWINGS, DETAILS AND SPECIFICATIONS; AND REPORT ANY DISCREPANCIES TO DESIGNER BEFORE PROCEEDING WITH WORK.

-REV/	-ISSUED FOR	-DATE



**STUDIO
MUNGE**
25 WINGOLD AVENUE
TORONTO, ONTARIO
M6B 1P8 CANADA
416.588.1668
STUDIOMUNGE.COM

-SCALE
AS NOTED

-DATE
2020-04-23

-DRAWN BY
LS

-CHECKED BY

-PROJECT NAME

SHANGRI LA NANNING

-DRAWING TITLE

SG-27
SKY LOBBY DINING CHAIR

-PROJECT NUMBER
16108

-DRAWING NUMBER
5 / 5

7	SG-27	SKY LOBBY DINING CHAIR
	1:10	