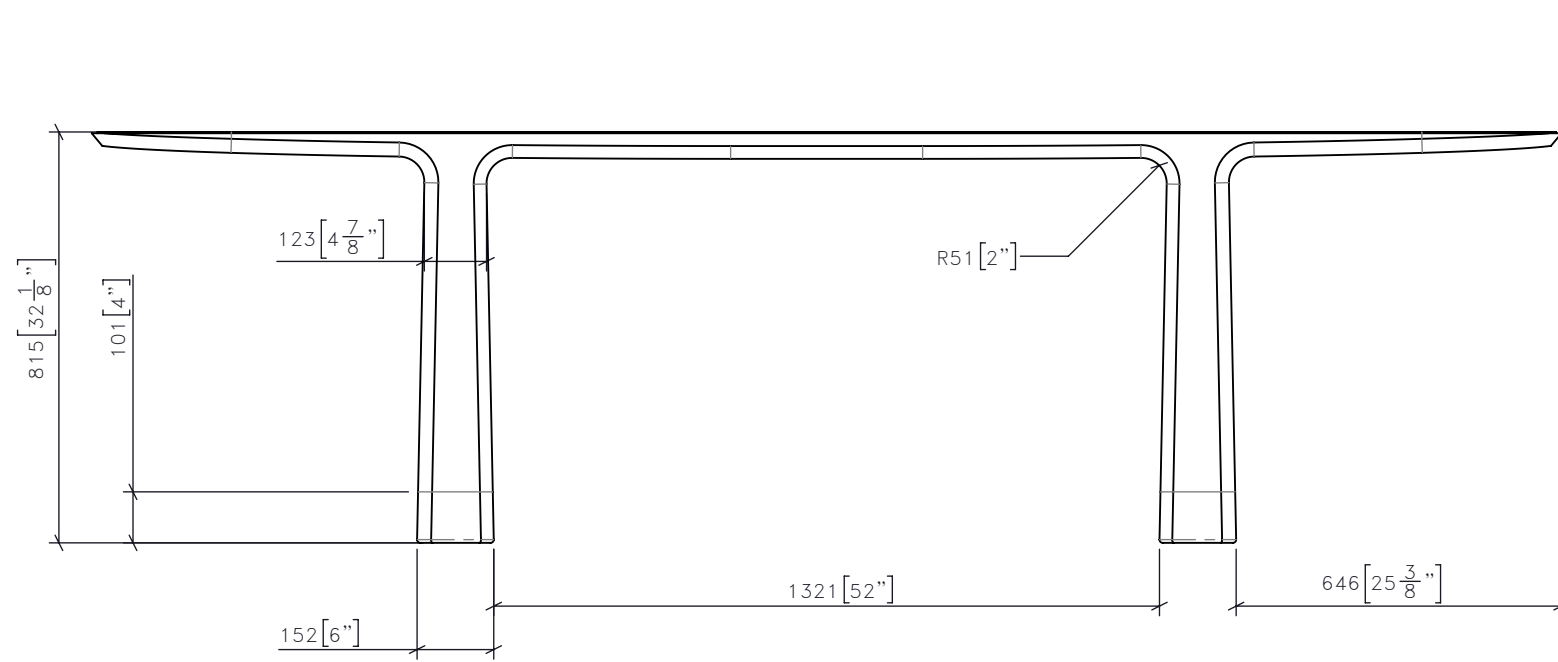
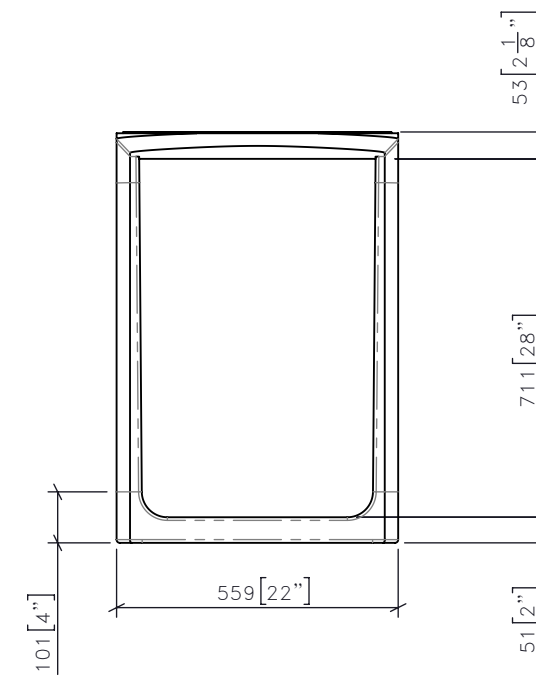


FOR DESIGN INTENT ONLY

DRAWING ARE NOT TO BE SCALED. CONTRACTOR MUST CHECK AND VERIFY ALL JOB DIMENSIONS, DRAWINGS, DETAILS AND SPECIFICATIONS; AND REPORT ANY DISCREPANCIES TO DESIGNER BEFORE PROCEEDING WITH WORK.



1 CG-XX
1:15 CONSOLE
FRONT ELEVATION



3 CG-XX
1:15 CONSOLE
SIDE ELEVATION

-REV/	-ISSUED FOR	-DATE

STUDIO MUNGE
25 WINGOLD AVENUE
TORONTO, ONTARIO
M6B 1P8 CANADA
416.588.1668
STUDIOMUNGE.COM

-SCALE AS NOTED
-DATE 9/28/18

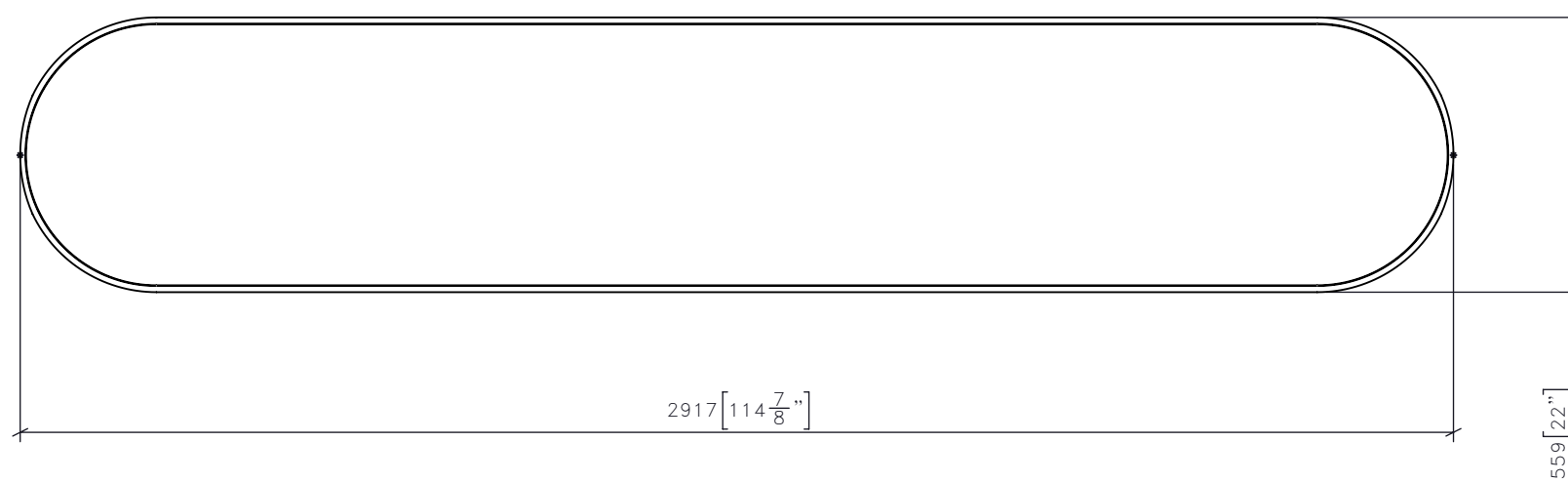
-DRAWN BY RC
-CHECKED BY

-PROJECT NAME
SHANGRI-LA NANNING

-DRAWING TITLE
CG-XX
CONSOLE

-PROJECT NUMBER
16108

-DRAWING NUMBER
1 / 3



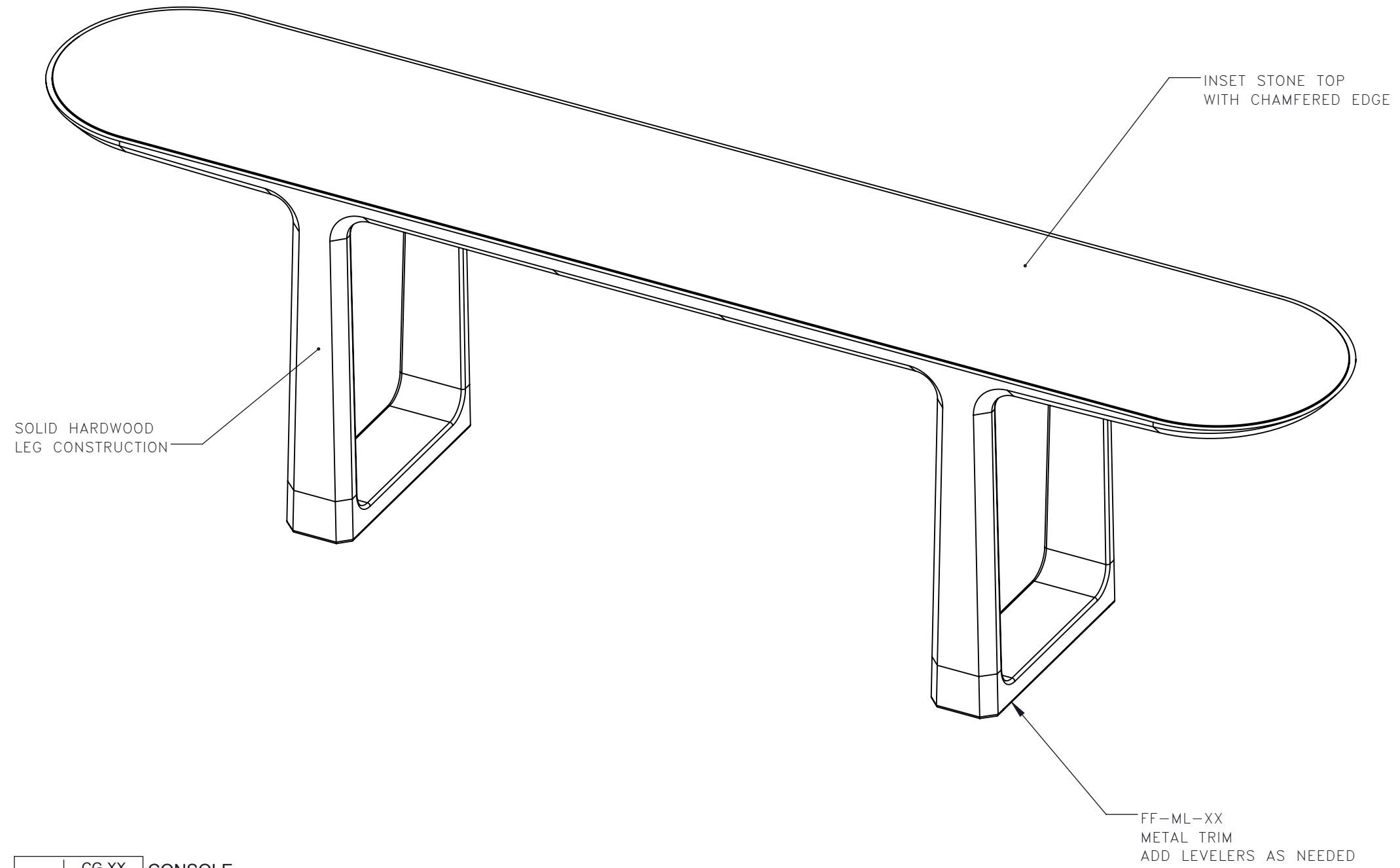
2 CG-XX
1:15 CONSOLE
PLAN

STUDIO MUNGE
E
D
C
B
A
Y

FOR DESIGN INTENT ONLY

DRAWING ARE NOT TO BE SCALED. CONTRACTOR MUST CHECK AND VERIFY ALL JOB DIMENSIONS, DRAWINGS, DETAILS AND SPECIFICATIONS; AND REPORT ANY DISCREPANCIES TO DESIGNER BEFORE PROCEEDING WITH WORK.

-REV/	-ISSUED FOR	-DATE



4 CG-XX CONSOLE ISOMETRIC VIEW
1:10

STUDIO MUNGE
25 WINGOLD AVENUE
TORONTO, ONTARIO
M6B 1P8 CANADA
416.588.1668
STUDIOMUNGE.COM

-SCALE AS NOTED	-DATE 9/28/18
-DRAWN BY RC	-CHECKED BY
-PROJECT NAME SHANGRI-LA NANNING	
-DRAWING TITLE CG-XX CONSOLE	
-PROJECT NUMBER 16108	
-DRAWING NUMBER 2 / 3	

STUDIO MUNGE
M
D
C
B
A
Y

FOR DESIGN INTENT ONLY

DRAWING ARE NOT TO BE SCALED. CONTRACTOR MUST CHECK AND VERIFY ALL JOB DIMENSIONS, DRAWINGS, DETAILS AND SPECIFICATIONS; AND REPORT ANY DISCREPANCIES TO DESIGNER BEFORE PROCEEDING WITH WORK.

-REV/	-ISSUED FOR	-DATE



**STUDIO
MUNGE**
25 WINGOLD AVENUE
TORONTO, ONTARIO
M6B 1P8 CANADA
416.588.1668
STUDIOMUNGE.COM

-SCALE AS NOTED	-DATE 9/28/18
-DRAWN BY RC	-CHECKED BY
-PROJECT NAME SHANGRI-LA NANNING	
-DRAWING TITLE CG-XX CONSOLE	
-PROJECT NUMBER 16108	
-DRAWING NUMBER 3 / 3	

4	CG-XX 1:10	CONSOLE RENDERED VIEW
----------	---------------	---------------------------------