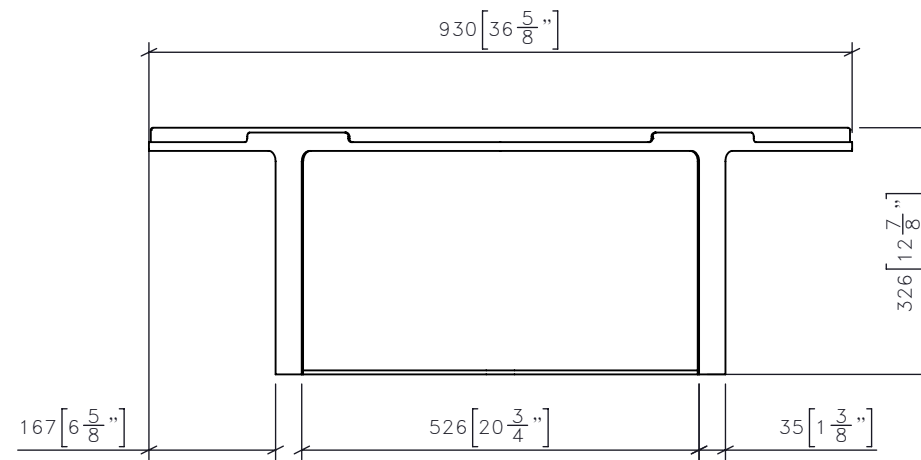
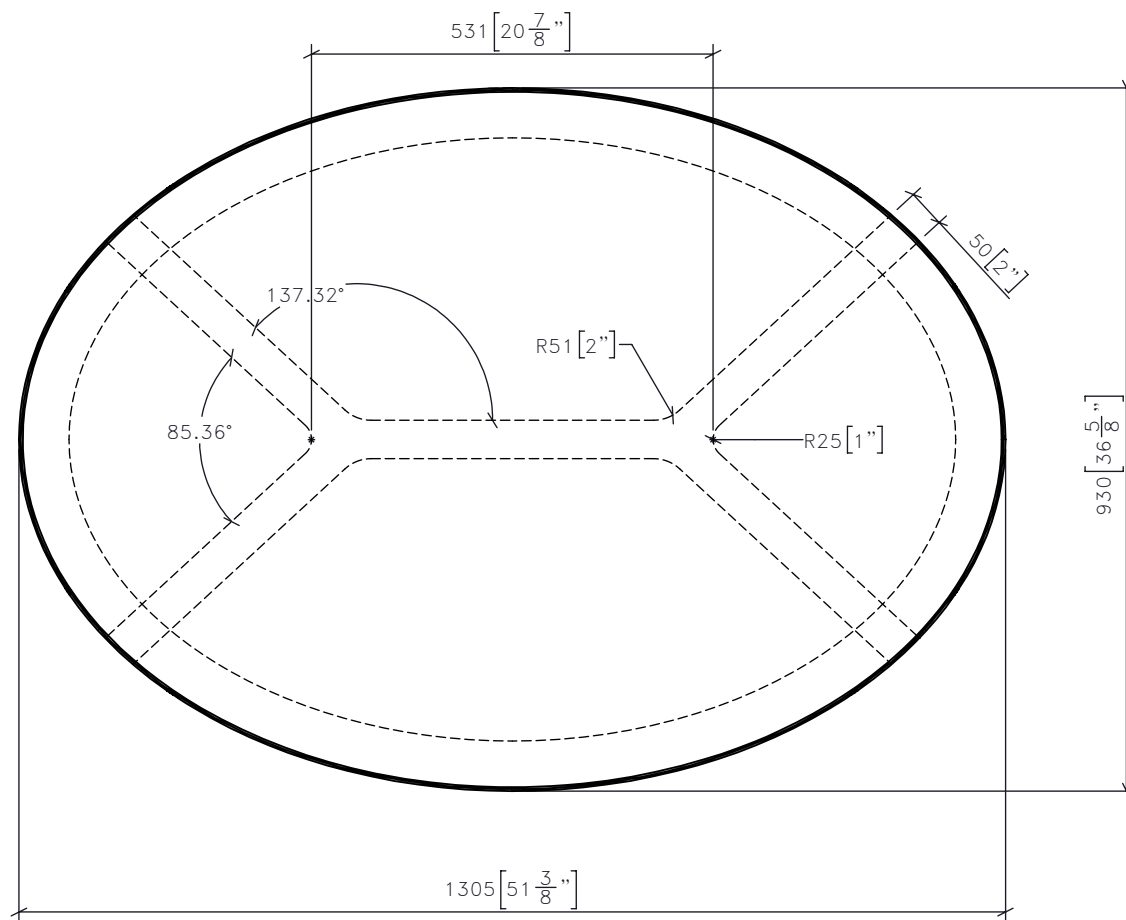


1 CG-06 BRIDAL SUITE COFFEE TABLE
1:10 FRONT ELEVATION



3 CG-06 BRIDAL SUITE COFFEE TABLE
1:10 SIDE ELEVATION



2 CG-06 BRIDAL SUITE COFFEE TABLE
1:10 PLAN

-REV/	-ISSUED FOR	-DATE

STUDIO MUNGE
25 WINGOLD AVENUE
TORONTO, ONTARIO
M6B 1P8 CANADA
416.588.1668
STUDIOMUNGE.COM

-SCALE AS NOTED
-DATE 2020-04-22

-DRAWN BY RC
-CHECKED BY

-PROJECT NAME
SHANGRI-LA NANNING

-DRAWING TITLE
CG-06
BRIDAL SUITE COFFEE TABLE

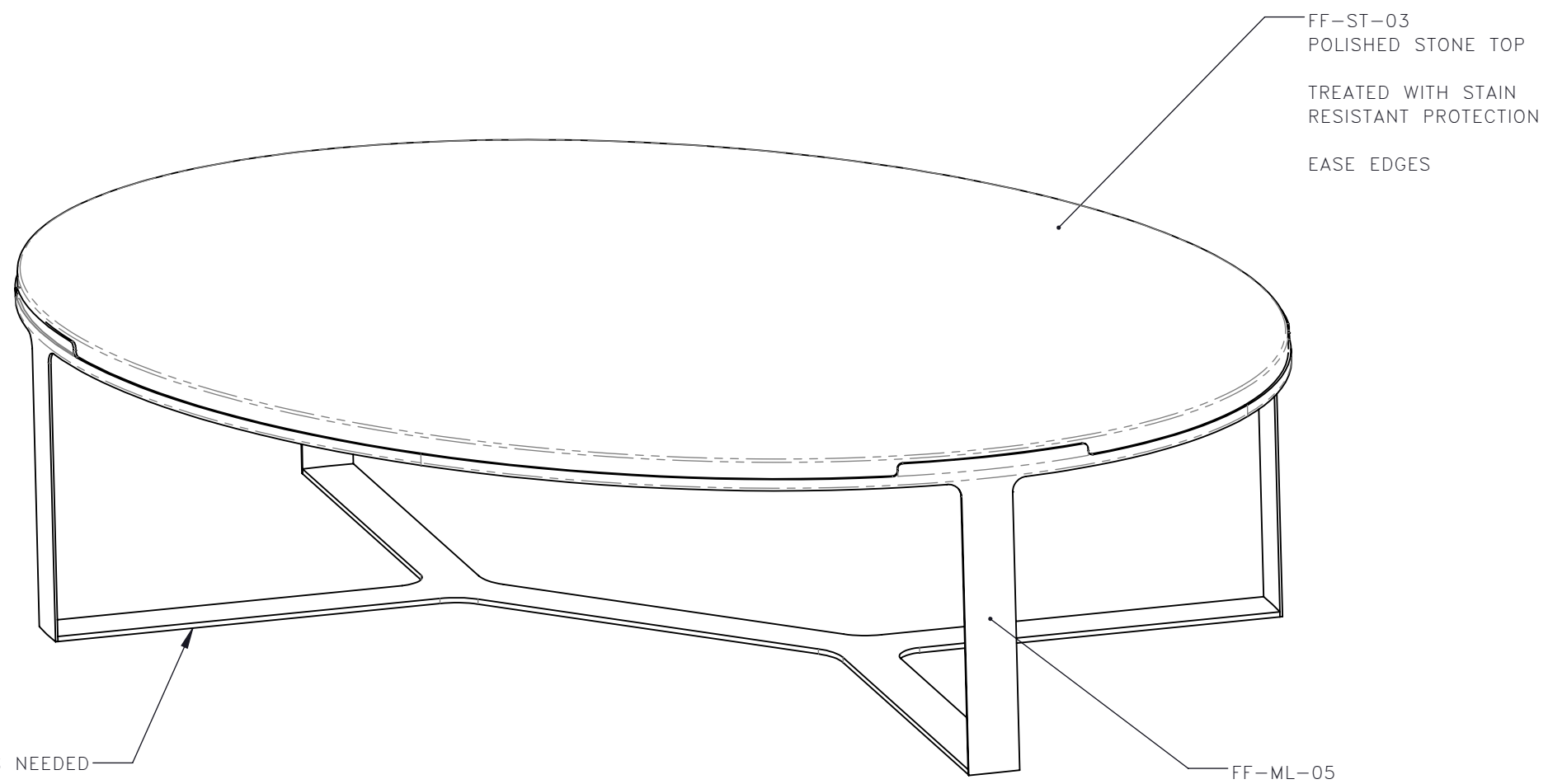
-PROJECT NUMBER
16108

-DRAWING NUMBER
1 / 3

STUDIO MUNGE
E
D
C
B
A
Y

FOR DESIGN INTENT ONLY

DRAWING ARE NOT TO BE SCALED. CONTRACTOR MUST CHECK AND VERIFY ALL JOB DIMENSIONS, DRAWINGS, DETAILS AND SPECIFICATIONS; AND REPORT ANY DISCREPANCIES TO DESIGNER BEFORE PROCEEDING WITH WORK.



NOTE: ALL WELDS TO BE CLEANED/FLUSH

4	CG-06	BRIDAL SUITE COFFEE TABLE ISOMETRIC FRONT
	1:6	

-REV/	-ISSUED FOR	-DATE

STUDIO MUNGE
25 WINGOLD AVENUE
TORONTO, ONTARIO
M6B 1P8 CANADA
416.588.1668
STUDIOMUNGE.COM

-SCALE
AS NOTED

-DATE
2020-04-22

-DRAWN BY
RC

-CHECKED BY

-PROJECT NAME
SHANGRI-LA NANNING

-DRAWING TITLE
CG-06
BRIDAL SUITE COFFEE TABLE

-PROJECT NUMBER
16108

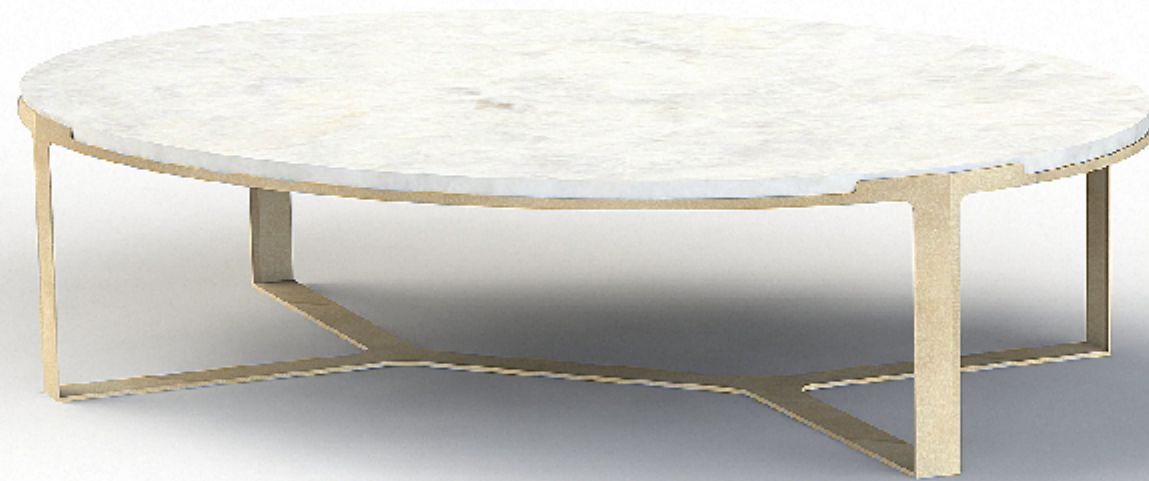
-DRAWING NUMBER
2 / 3

STUDIO MUNGE
E
F
D
C
B
A
Y

FOR DESIGN INTENT ONLY

DRAWING ARE NOT TO BE SCALED. CONTRACTOR MUST CHECK AND VERIFY ALL JOB DIMENSIONS, DRAWINGS, DETAILS AND SPECIFICATIONS; AND REPORT ANY DISCREPANCIES TO DESIGNER BEFORE PROCEEDING WITH WORK.

-REV/	-ISSUED FOR	-DATE



**STUDIO
MUNGE**
25 WINGOLD AVENUE
TORONTO, ONTARIO
M6B 1P8 CANADA
416.588.1668
STUDIOMUNGE.COM

-SCALE
AS NOTED

-DATE
2020-04-22

-DRAWN BY
RC

-CHECKED BY

-PROJECT NAME

SHANGRI-LA NANNING

-DRAWING TITLE

CG-06
BRIDAL SUITE COFFEE TABLE

-PROJECT NUMBER
16108

-DRAWING NUMBER
3 / 3

5	CG-06	BRIDAL SUITE COFFEE TABLE RENDERED VIEW
	1:6	