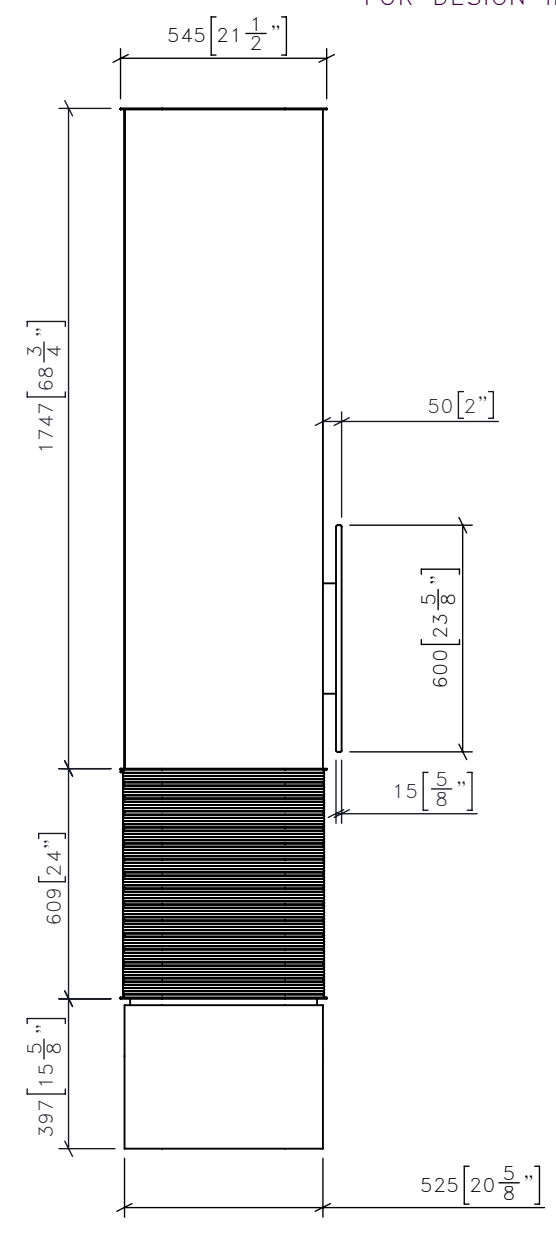
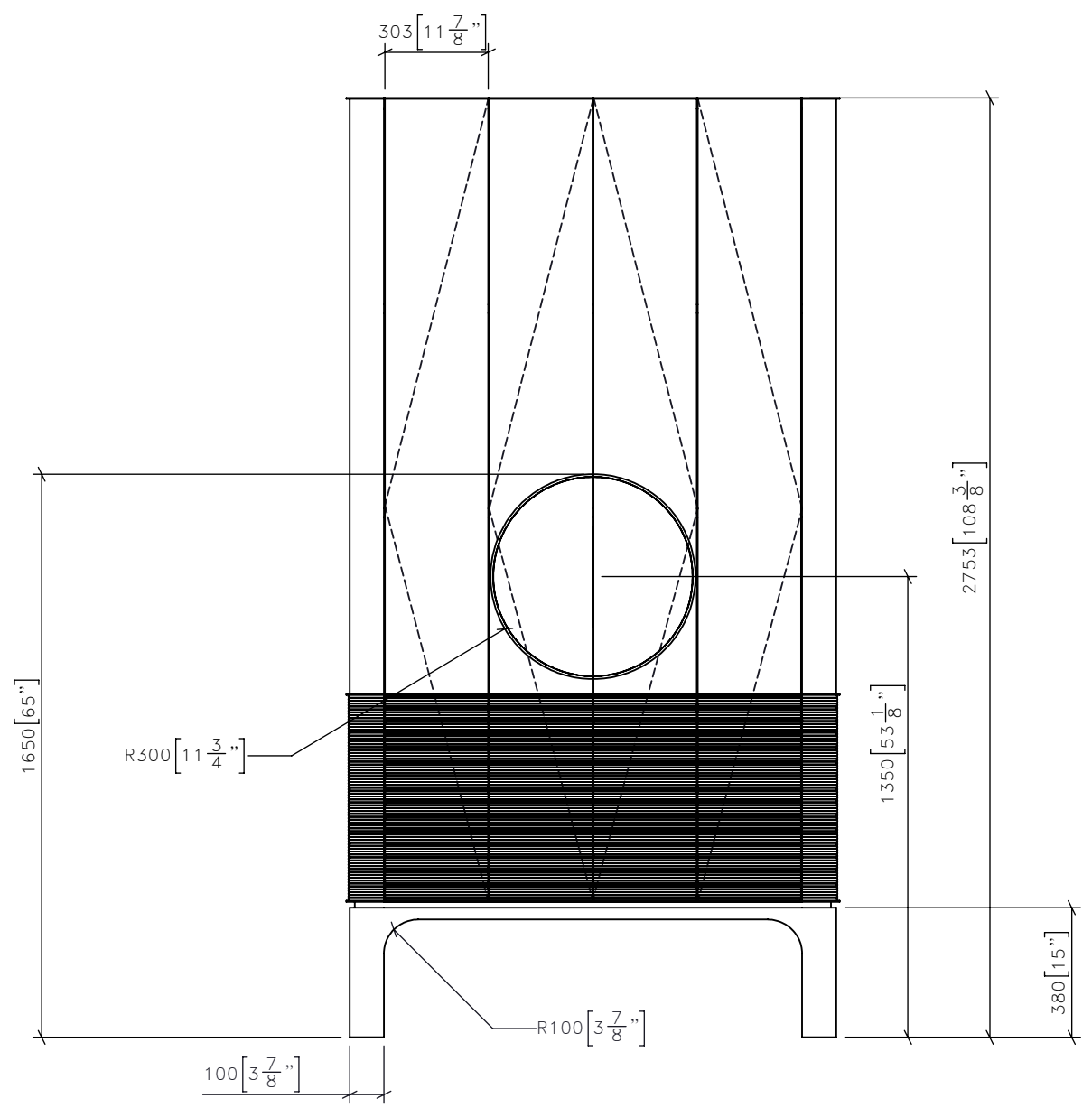


FOR DESIGN INTENT ONLY

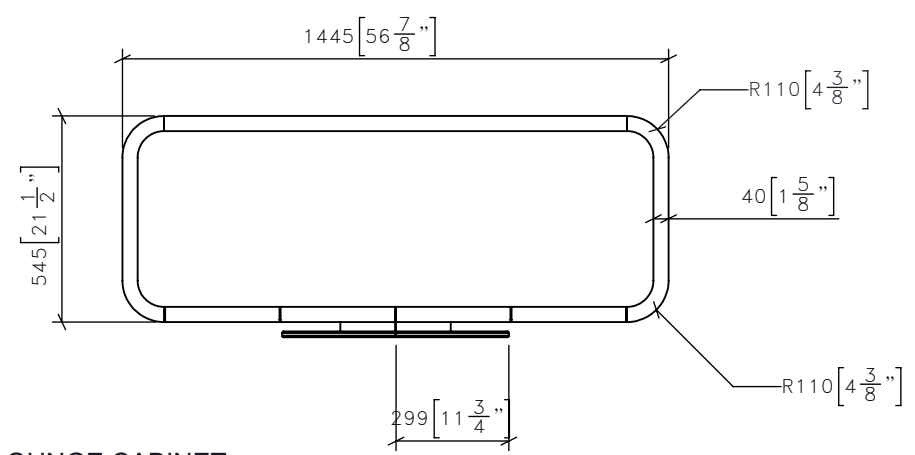
DRAWING ARE NOT TO BE SCALED. CONTRACTOR MUST CHECK AND VERIFY ALL JOB DIMENSIONS, DRAWINGS, DETAILS AND SPECIFICATIONS; AND REPORT ANY DISCREPANCIES TO DESIGNER BEFORE PROCEEDING WITH WORK.

-REV/	-ISSUED FOR	-DATE



1 CG-XX SKY LOUNGE CABINET
1:20 FRONT ELEVATION

3 CG-XX SKY LOUNGE CABINET
1:20 SIDE ELEVATION



2 CG-XX SKY LOUNGE CABINET
1:20 PLAN

STUDIO MUNGE
25 WINGOLD AVENUE
TORONTO, ONTARIO
M6B 1P8 CANADA
416.588.1668
STUDIOMUNGE.COM

-SCALE AS NOTED -DATE 2020-04-25

-DRAWN BY AM -CHECKED BY

-PROJECT NAME

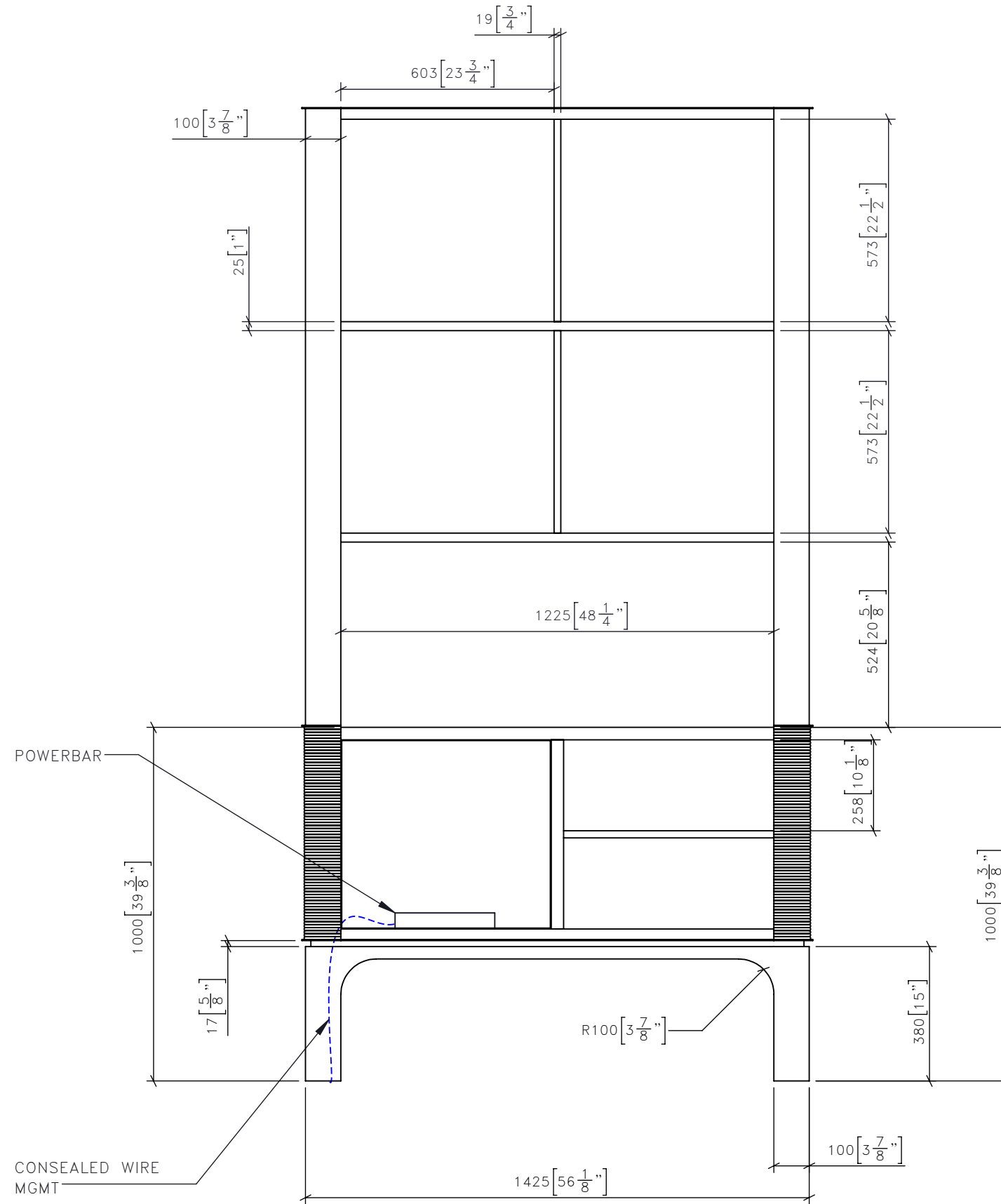
SHANGRILA NANNING

-DRAWING TITLE

CG-XX SKY LOUNGE CABINET

-PROJECT NUMBER 16108

-DRAWING NUMBER 1 / 4



-REV	-ISSUED FOR	-DATE

STUDIO MUNGE
 25 WINGOLD AVENUE
 TORONTO, ONTARIO
 M6B 1P8 CANADA
 416.588.1668
 STUDIOMUNGE.COM

-SCALE
AS NOTED

-DATE
2020-04-25

-DRAWN BY
AM

-CHECKED BY

-PROJECT NAME

SHANGRILA NANNING

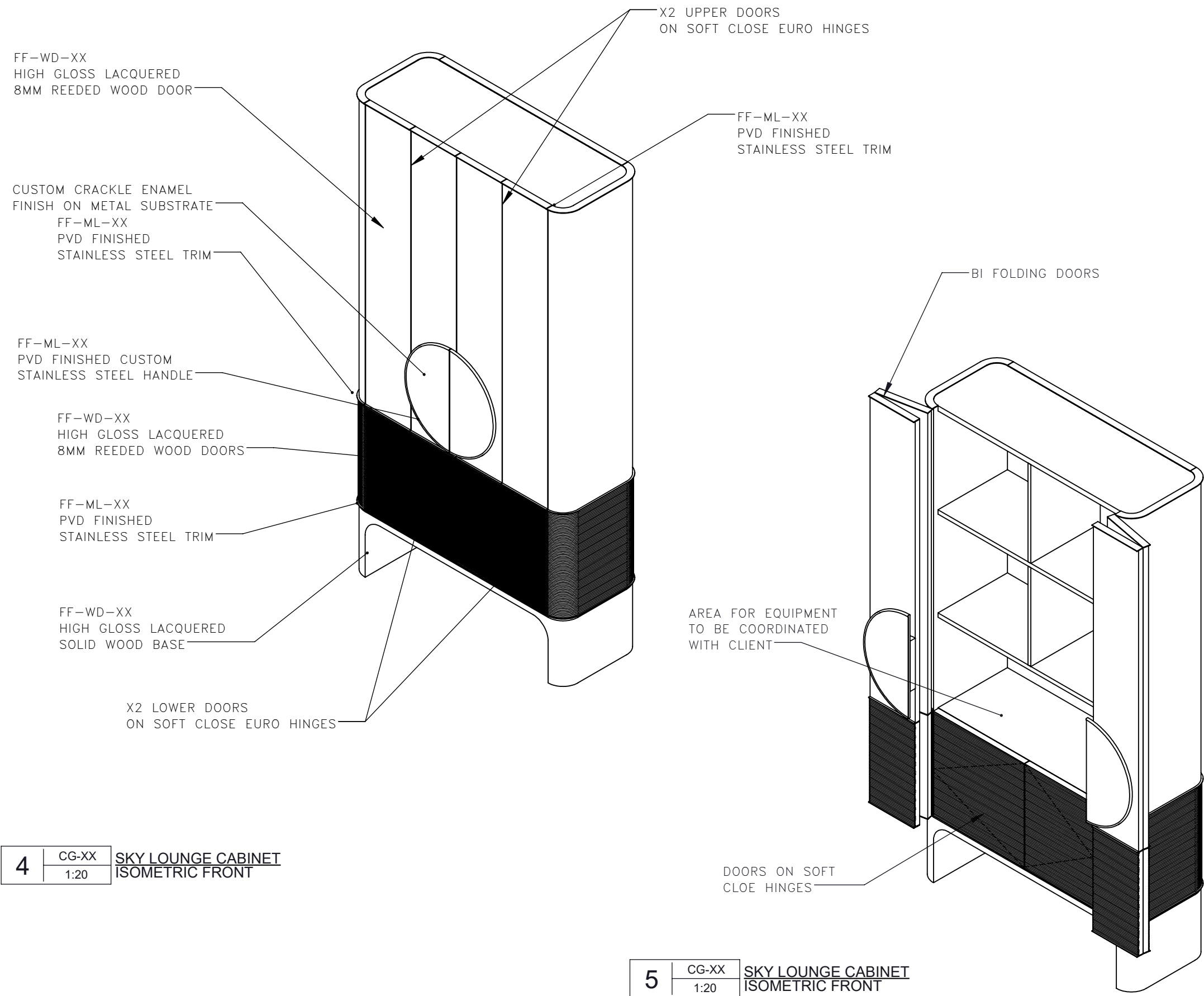
-DRAWING TITLE

CG-XX
SKY LOUNGE CABINET

-PROJECT NUMBER
16108

-DRAWING NUMBER
2 / 4

4 | CG-XX | SKY LOUNGE CABINET
 1:15 | NO DOORS



4	CG-XX	SKY LOUNGE CABINET ISOMETRIC FRONT
	1:20	

5	CG-XX	SKY LOUNGE CABINET ISOMETRIC FRONT
	1:20	

-REV/	-ISSUED FOR	-DATE

**STUDIO
MUNGE**

25 WINGOLD AVENUE
TORONTO, ONTARIO
M6B 1P8 CANADA
416.588.1668
STUDIOMUNGE.COM

-SCALE
AS NOTED

-DATE
2020-04-25

-DRAWN BY
AM

-CHECKED BY

-PROJECT NAME

SHANGRILA NANNING

-DRAWING TITLE

CG-XX
SKY LOUNGE CABINET

-PROJECT NUMBER
16108

-DRAWING NUMBER
3 / 4

STUDIO MUNGE
Y
E
M
D
C
B
A
Y

1 2 3 4 5 6

FOR DESIGN INTENT ONLY

DRAWING ARE NOT TO BE SCALED. CONTRACTOR MUST CHECK AND VERIFY ALL JOB DIMENSIONS, DRAWINGS, DETAILS AND SPECIFICATIONS; AND REPORT ANY DISCREPANCIES TO DESIGNER BEFORE PROCEEDING WITH WORK.



-REV/	-ISSUED FOR	-DATE

STUDIO MUNGE
25 WINGOLD AVENUE
TORONTO, ONTARIO
M6B 1P8 CANADA
416.588.1668
STUDIOMUNGE.COM

-SCALE
AS NOTED

-DATE
2020-04-25

-DRAWN BY
AM

-CHECKED BY

-PROJECT NAME

SHANGRILA NANNING

-DRAWING TITLE

CG-XX
SKY LOUNGE CABINET

-PROJECT NUMBER
16108

-DRAWING NUMBER
4 / 4

1 2 3 4 5 6