


STUDIO MUNGE

<p><b>SEATING INSTRUCTONS:</b></p> <ul style="list-style-type: none"> <li>- ALL SEAMS TO BE BLIND UNLESS OTHERWISE SPECIFIED</li> <li>- SUBMITTAL OF SHOP DRAWINGS, FINISH SAMPLES, AND/OR PROTOTYPE TO STUDIO MUNGE FOR REVIEW AND WRITTEN APPROVAL IS REQUIRED FOR ALL PIECES SUPPLIED BY INDICATED VENDOR OR OTHER.</li> <li>- TO BE TIGHT UPHOLSTERED UNLESS OTHERWISE SPECIFIED</li> <li>- DRAWINGS PROVIDED ARE FOR DESIGN INTENT ONLY</li> <li>- PROVIDE CONTRACT QUALITY LOW PROFILE LEVELERS AS REQUIRED</li> <li>- PROVIDE CONTRACT QUALITY LOW PROFILE GLIDES TO PROTECT FLOOR FROM SCRATCHING</li> <li>- REFER TO DRAWINGS FOR DETAILS</li> <li>- HARDWARE TO BE HIDDEN UNLESS OTHERWISE SPECIFIED</li> <li>- HARDWARE TO BE REVIEWED AND APPROVED BY SM</li> <li>- MANUFACTURER TO ENSURE NO ISSUE WITH SITE ACCESS AND CLEARANCE FOR DELIVERY AND INSTALLATION</li> <li>- PURCHASING AGENT TO SUBMIT ALL NEW SUBSTITUTIONS TO STUDIO MUNGE FOR WRITTEN APPROVAL PRIOR TO MANUFACTURING AND PURCHASING</li> </ul>	<b>ACCESSORY CODE</b>	<b>DESCRIPTION</b>																								
	<b>REQUIRED ITEM(S) FOR DESIGNER APPROVAL PRIOR TO FABRICATION</b>																									
<p><b>MATERIAL INSTRUCTONS:</b></p> <p>-MATERIALS TO BE OUTDOOR GRADE WHEN REQUIRED AND SPECIFIED IN DRAWINGS AND ORDER</p>	<input type="checkbox"/> SEAMING DIAGRAM <input type="checkbox"/> SHOP DRAWINGS <input type="checkbox"/> PROTOTYPE <input type="checkbox"/> FINISH SAMPLE																									
<table border="1" style="width: 100%; border-collapse: collapse;"> <thead> <tr> <th style="width: 15%;">MATERIAL CODE</th> <th style="width: 45%;">DESCRIPTION</th> <th style="width: 40%;">COLOR/FINISH</th> </tr> </thead> <tbody> <tr> <td>FAB-8001</td> <td>LEATHER</td> <td>REFER TO FABRIC CUTSHEET</td> </tr> <tr> <td>FF-ML-01</td> <td>METAL</td> <td>REFER TO FABRIC CUTSHEET</td> </tr> <tr> <td> </td> <td> </td> <td> </td> </tr> <tr> <td> </td> <td> </td> <td> </td> </tr> <tr> <td> </td> <td> </td> <td> </td> </tr> <tr> <td> </td> <td> </td> <td> </td> </tr> <tr> <td> </td> <td> </td> <td> </td> </tr> </tbody> </table>	MATERIAL CODE	DESCRIPTION	COLOR/FINISH	FAB-8001	LEATHER	REFER TO FABRIC CUTSHEET	FF-ML-01	METAL	REFER TO FABRIC CUTSHEET																	
MATERIAL CODE	DESCRIPTION	COLOR/FINISH																								
FAB-8001	LEATHER	REFER TO FABRIC CUTSHEET																								
FF-ML-01	METAL	REFER TO FABRIC CUTSHEET																								

DRAWING ARE NOT TO BE SCALED. CONTRACTOR MUST CHECK AND VERIFY ALL JOB DIMENSIONS, DRAWINGS, DETAILS AND SPECIFICATIONS; AND REPORT ANY DISCREPANCIES TO DESIGNER BEFORE PROCEEDING WITH WORK.

-REV/	-ISSUED FOR	-DATE

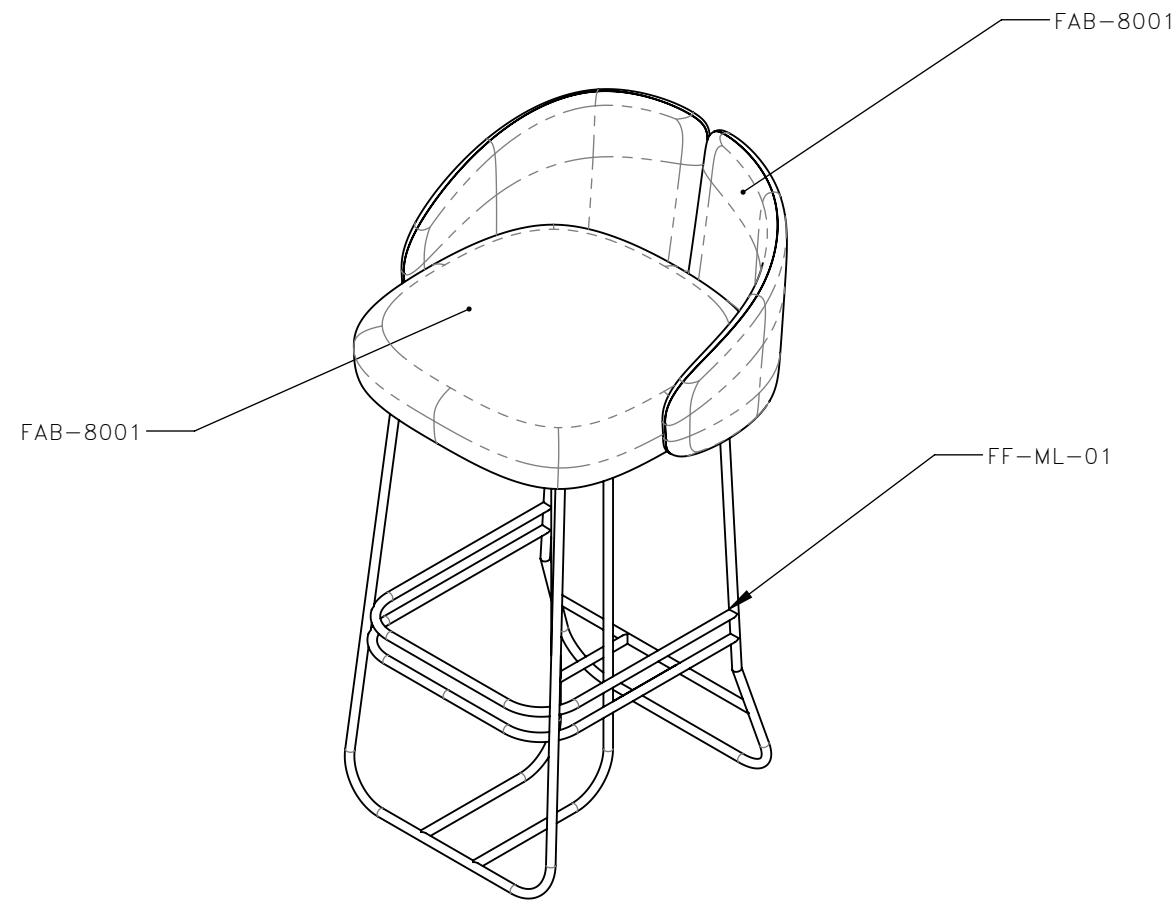
# STUDIO MUNGE

25 WINGOLD AVENUE  
TORONTO, ONTARIO  
M6B 1P8 CANADA  
416.588.1668  
STUDIOMUNGE.COM

---

-SCALE AS NOTED	-DATE 5/20/21
-DRAWN BY CS	-CHECKED BY
-PROJECT NAME	
MGM QINGDAO	
-DRAWING TITLE	
SG-8001 BARSTOOL	
-PROJECT NUMBER	
17126	
-DRAWING NUMBER	
1 / 5	

STUDIO MUNGE  
Y  
F  
E  
D  
C  
B  
A  
Y



**1** SG-8001 BARSTOOL  
1:10 ISOMETRIC FRONT



**2** SG-8001 BARSTOOL  
1:10 ISOMETRIC REAR

DRAWING ARE NOT TO BE SCALED. CONTRACTOR MUST CHECK AND VERIFY ALL JOB DIMENSIONS, DRAWINGS, DETAILS AND SPECIFICATIONS; AND REPORT ANY DISCREPANCIES TO DESIGNER BEFORE PROCEEDING WITH WORK.

REV	ISSUED FOR	DATE

**STUDIO MUNGE**  
25 WINGOLD AVENUE  
TORONTO, ONTARIO  
M6B 1P8 CANADA  
416.588.1668  
STUDIOMUNGE.COM

SCALE AS NOTED DATE 5/20/21

DRAWN BY CS CHECKED BY

PROJECT NAME

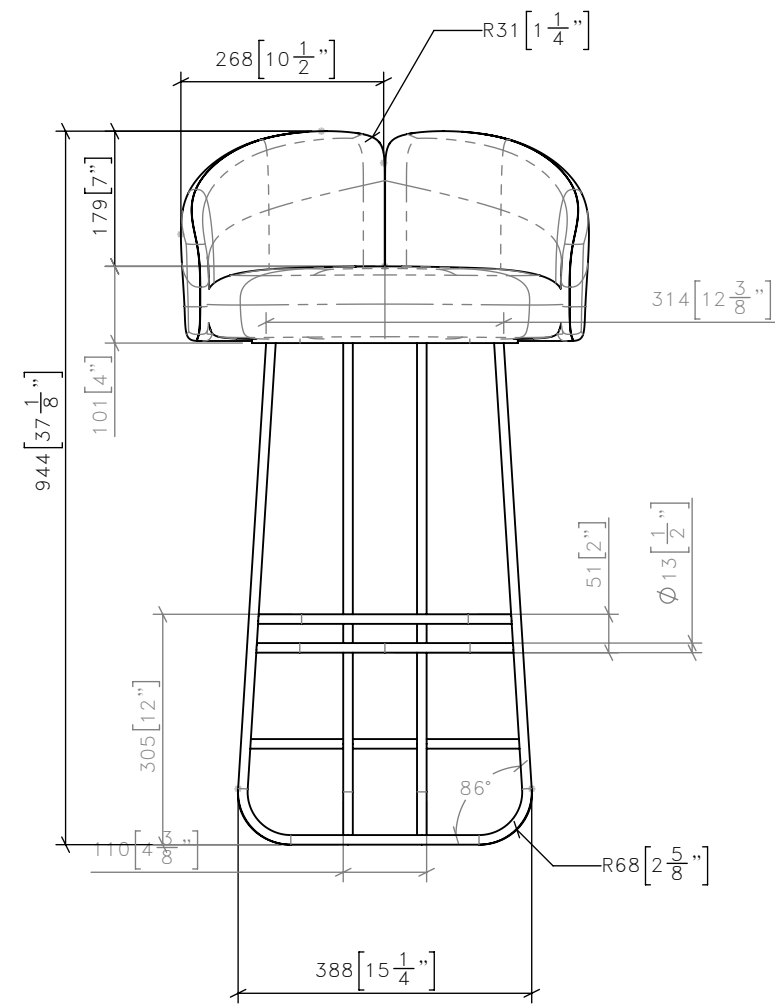
MGM QINGDAO

DRAWING TITLE

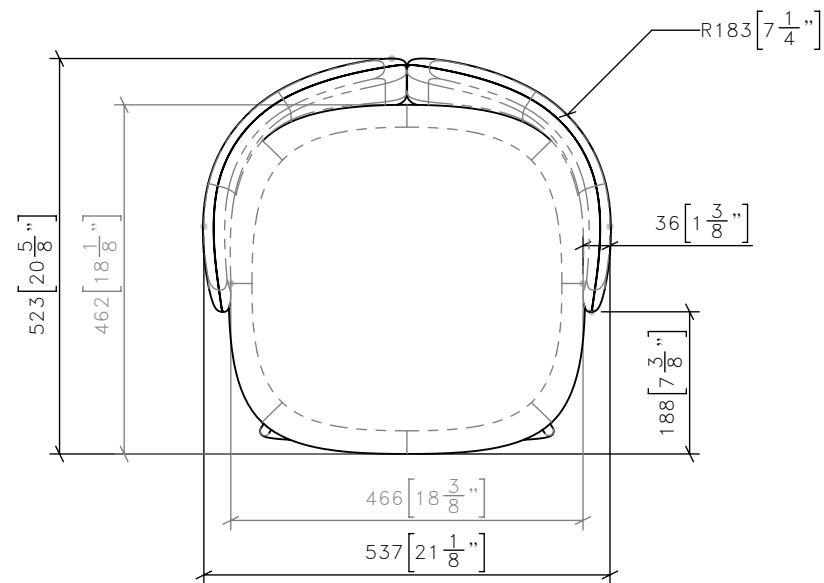
SG-8001  
BARSTOOL

PROJECT NUMBER 17126

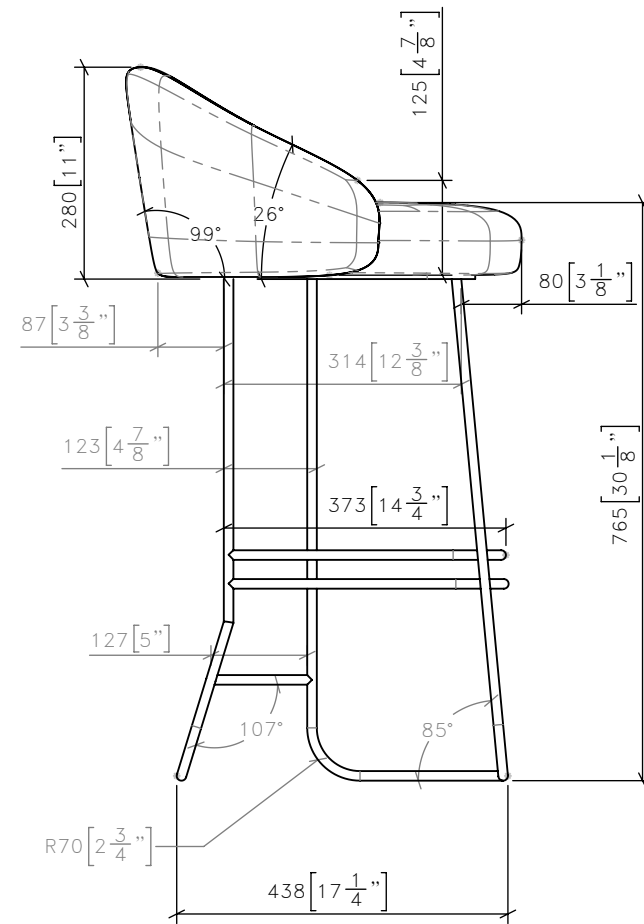
DRAWING NUMBER 2 / 5



**3** SG-8001 BARSTOOL  
1:10 FRONT ELEVATION



**4** SG-8001 BARSTOOL  
1:10 PLAN



**5** SG-8001 BARSTOOL  
1:10 SIDE ELEVATION

DRAWING ARE NOT TO BE SCALED. CONTRACTOR MUST CHECK AND VERIFY ALL JOB DIMENSIONS, DRAWINGS, DETAILS AND SPECIFICATIONS; AND REPORT ANY DISCREPANCIES TO DESIGNER BEFORE PROCEEDING WITH WORK.

—REV/ —ISSUED FOR —DATE

STUDIO  
MUNGE

25 WINGOLD AVENUE  
TORONTO, ONTARIO  
M6B 1P8 CANADA  
416.588.1668  
STUDIOMUNGE.COM

—SCALE  
AS NOTED

—DATE  
5/20/21

—DRAWN BY  
CS

—CHECKED BY

—PROJECT NAME

MGM QINGDAO

—DRAWING TITLE

SG-8001  
BARSTOOL

—PROJECT NUMBER

17126

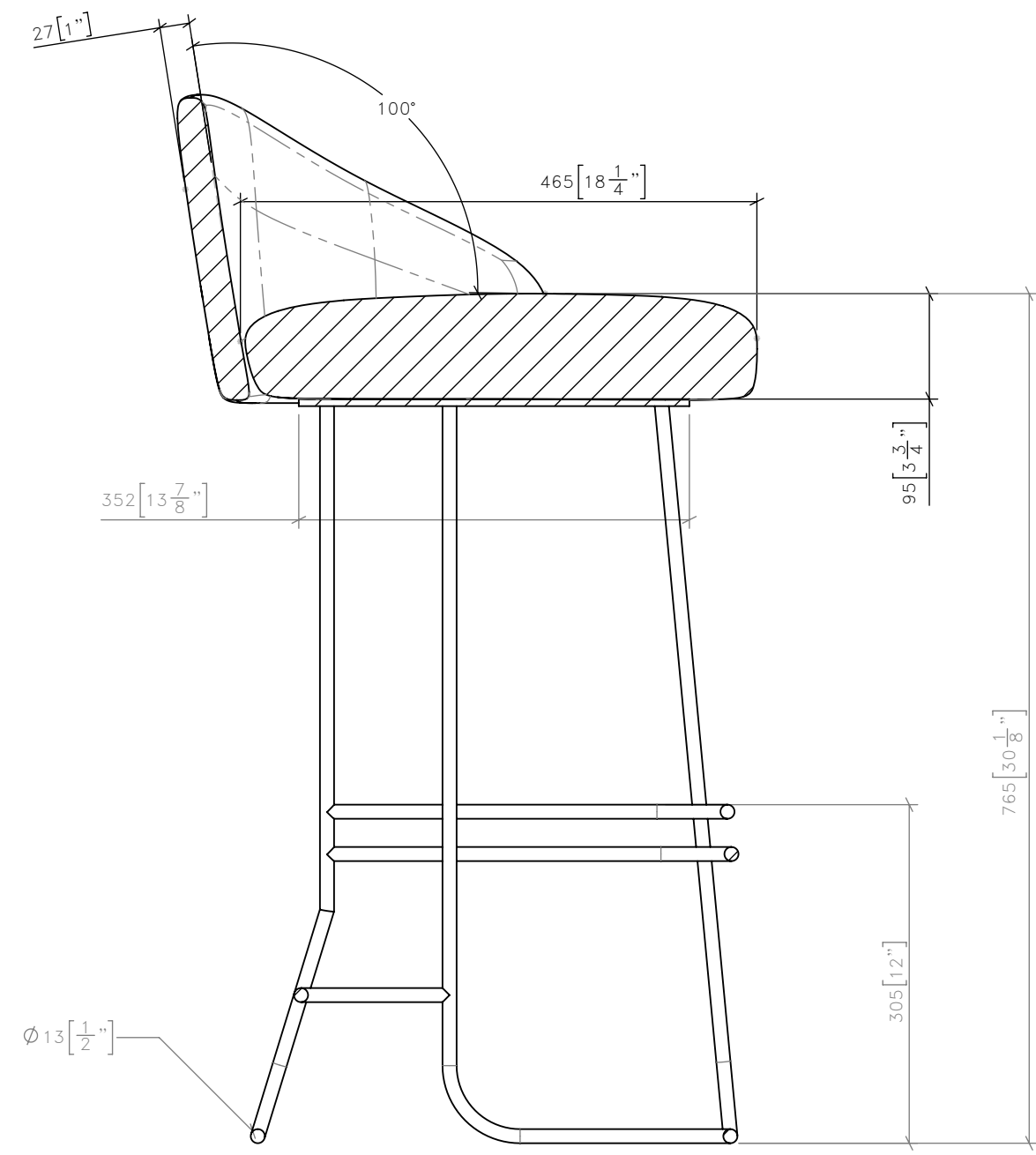
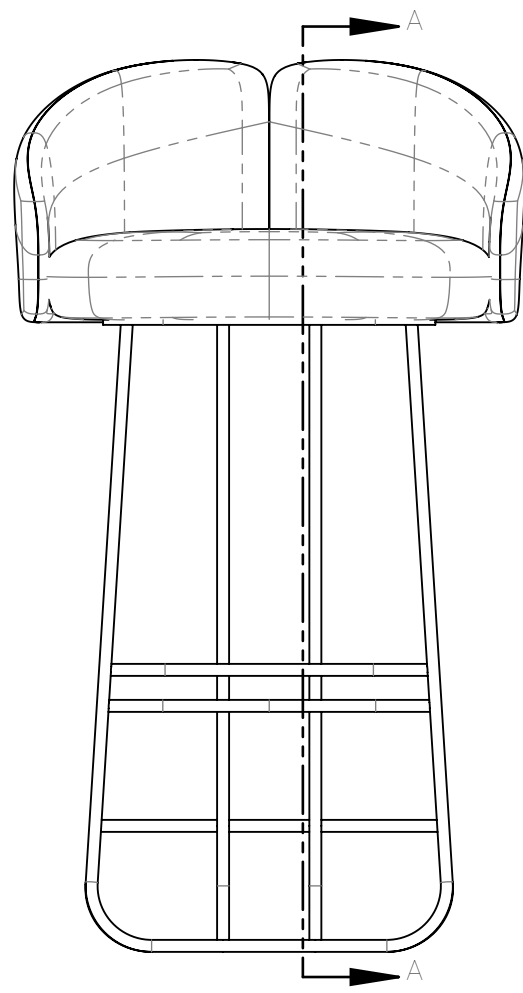
—DRAWING NUMBER

3 / 5

STUDIO MUNGE

DRAWING ARE NOT TO BE SCALED. CONTRACTOR MUST CHECK AND VERIFY ALL JOB DIMENSIONS, DRAWINGS, DETAILS AND SPECIFICATIONS; AND REPORT ANY DISCREPANCIES TO DESIGNER BEFORE PROCEEDING WITH WORK.

REV.	ISSUED FOR	DATE



**6** SG-8001 BARSTOOL  
1:8 SECTION A-A

**STUDIO MUNGE**  
25 WINGOLD AVENUE  
TORONTO, ONTARIO  
M6B 1P8 CANADA  
416.588.1668  
STUDIOMUNGE.COM

SCALE AS NOTED	DATE 5/20/21
DRAWN BY CS	CHECKED BY
PROJECT NAME  MGM QINGDAO	
DRAWING TITLE  SG-8001 BARSTOOL	
PROJECT NUMBER 17126	
DRAWING NUMBER 4 / 5	

STUDIO MUNGE  
Y  
E  
F  
D  
C  
B  
A  
Y



7	SG-8001	BARSTOOL
	1:8	RENDERED VIEW

DRAWING ARE NOT TO BE SCALED. CONTRACTOR MUST CHECK AND VERIFY ALL JOB DIMENSIONS, DRAWINGS, DETAILS AND SPECIFICATIONS; AND REPORT ANY DISCREPANCIES TO DESIGNER BEFORE PROCEEDING WITH WORK.

REV	ISSUED FOR	DATE

**STUDIO  
MUNGE**  
25 WINGOLD AVENUE  
TORONTO, ONTARIO  
M6B 1P8 CANADA  
416.588.1668  
STUDIOMUNGE.COM

<b>SCALE</b> AS NOTED	<b>DATE</b> 5/20/21
<b>DRAWN BY</b> CS	<b>CHECKED BY</b> 
<b>PROJECT NAME</b>  MGM QINGDAO	
<b>DRAWING TITLE</b>  SG-8001 BARSTOOL	
<b>PROJECT NUMBER</b> 17126	
<b>DRAWING NUMBER</b> 5 / 5	