

STUDIO MUNGE

CASE GOODS INSTRUCTONS:

- DRAWINGS PROVIDED ARE FOR DESIGN INTENT ONLY
- SUBMITTAL OF SHOP DRAWINGS, FINISH SAMPLES, AND/OR PROTOTYPE TO STUDIO MUNGE FOR REVIEW AND WRITTEN APPROVAL IS REQUIRED FOR ALL PIECES SUPPLIED BY INDICATED VENDOR OR OTHER.
- PROVIDE CONTRACT QUALITY LOW PROFILE LEVELERS AS REQUIRED
- PROVIDE CONTRACT QUALITY LOW PROFILE GLIDES TO PROTECT FLOOR FROM SCRATCHING
- PROVIDE CONTRACT QUALITY UNDER-MOUNTED SOFT CLOSE SLIDES FOR PULL OUT COMPONENTS UNLESS OTHERWISE SPECIFIED
- PROVIDE CONTRACT QUALITY SOFT CLOSE HINGED UNLESS OTHERWISE SPECIFIED
- REFER TO DRAWINGS FOR DETAILS
- BLOCKING TO BE COORDINATED ONSITE TO PREVENT TIPPING
- INTEGRATED LIGHTING TO BE COORDINATED WITH ELECTRICAL ENGINEER
- HARDWARE TO BE REVIEWED AND APPROVED BY SM
- WOOD CONSTRUCTION IS TO BE SELECTED, SEASONED, FREE OF KNOTS, FREE OF WORMS AND VERMIN, AND KILN-DRIED TO A MOISTURE CONTENT NOT TO EXCEED 7%. IF IMPORTED, FUMIGATION MAY BE REQUIRED DEPENDING ON COUNTRY OF ORIGIN AND CERTIFICATE
- ALL WELDS ON METAL TO BE GROUND SMOOTH AND CLEAN
- PURCHASING AGENT TO SUBMIT ALL NEW SUBSTITUTIONS TO STUDIO MUNGE FOR WRITTEN APPROVAL PRIOR TO MANUFACTURING AND PURCHASING

MATERIAL INSTRUCTONS:

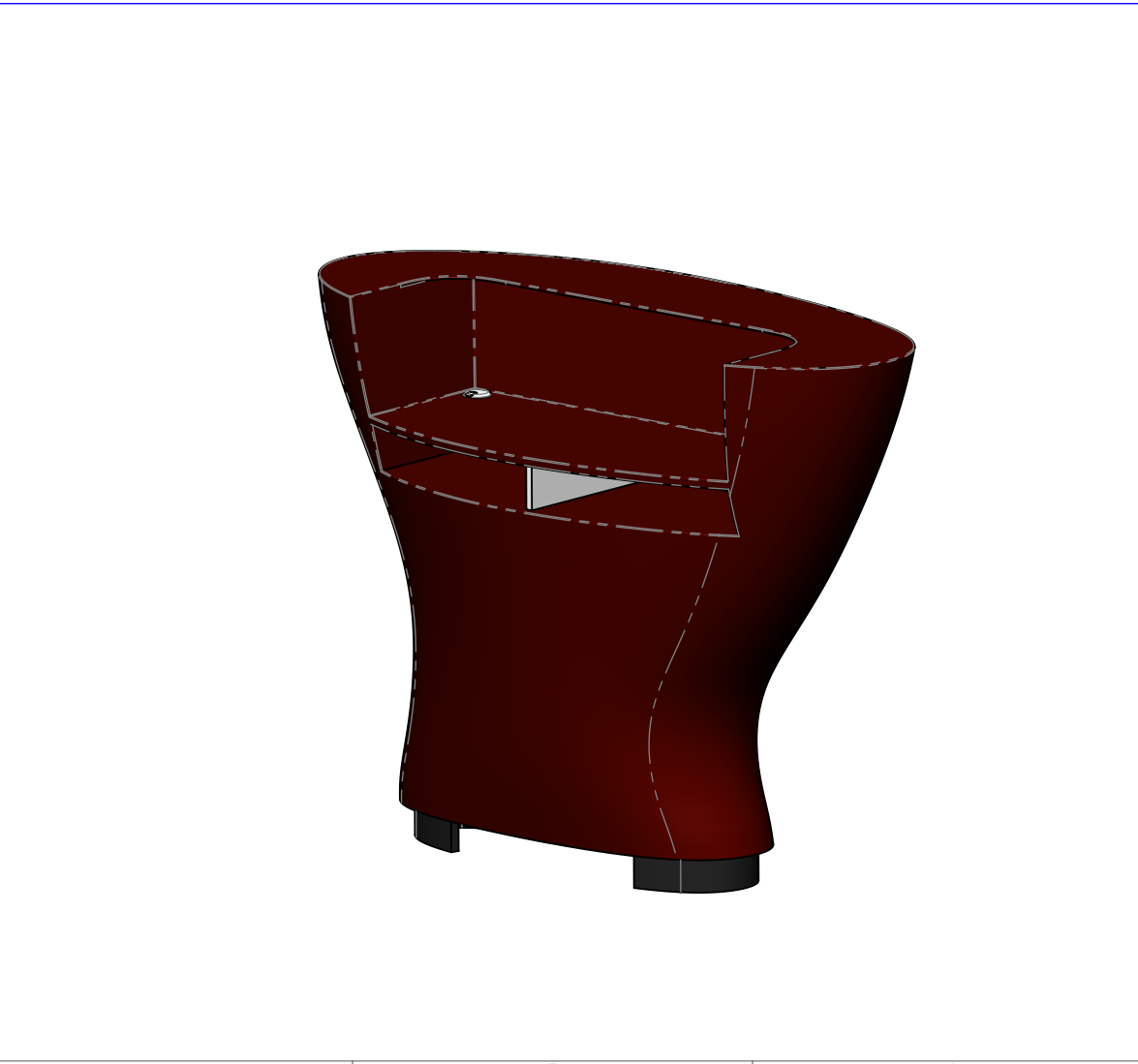
- MATERIALS TO BE OUTDOOR GRADE WHEN REQUIRED AND SPECIFIED IN DRAWINGS AND ORDER
- REFER TO DRAWINGS FOR GRAIN DIRECTION WHEN APPLICABLE

MATERIAL CODE	DESCRIPTION	COLOR/FINISH
FF-ML-8002	METAL	REFER TO SPEC. SHEET

EQUIPMENT CODE	EQUIPMENT DESCRIPTION	QTY
N/A	SURFACE GROMMET – WIRE MANAGEMENT	2

REQUIRED ITEM(S) FOR DESIGNER APPROVAL PRIOR TO FABRICATION

SEAMING DIAGRAM
 SHOP DRAWINGS
 PROTOTYPE
 FINISH SAMPLE



DRAWING ARE NOT TO BE SCALED. CONTRACTOR MUST CHECK AND VERIFY ALL JOB DIMENSIONS, DRAWINGS, DETAILS AND SPECIFICATIONS; AND REPORT ANY DISCREPANCIES TO DESIGNER BEFORE PROCEEDING WITH WORK.

REV	ISSUED FOR	DATE

STUDIO MUNGE
 25 WINGOLD AVENUE
 TORONTO, ONTARIO
 M6B 1P8 CANADA
 416.588.1668
 STUDIOMUNGE.COM

-SCALE
 AS NOTED

-DATE
 5/20/21

-DRAWN BY
 CS

-CHECKED BY
 CS

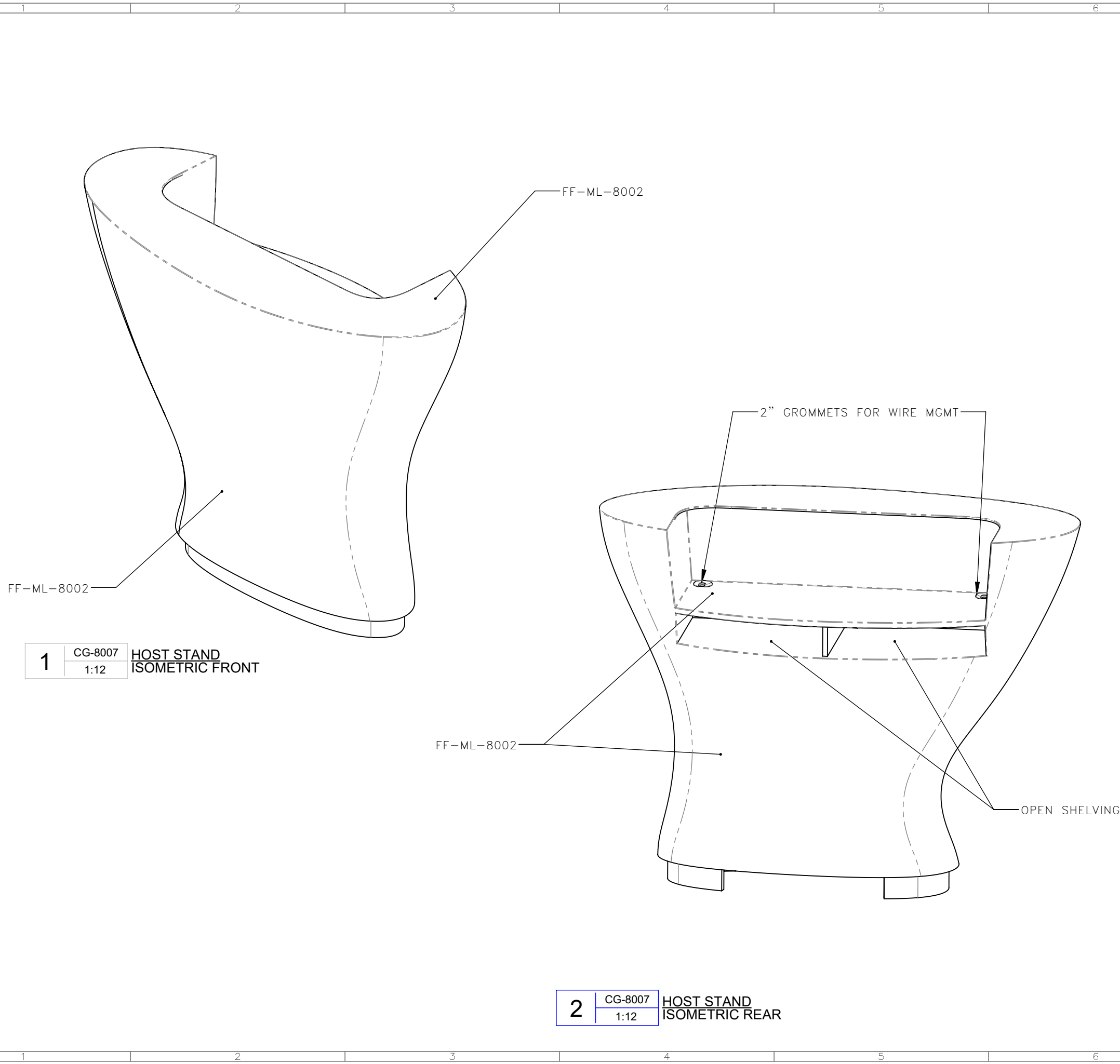
-PROJECT NAME
 MGM QINGDAO

-DRAWING TITLE
 CG-8007
 HOST STAND

-PROJECT NUMBER
 17162

-DRAWING NUMBER
 1 / 5

STUDIO MUNGE
Y
F
E
D
C
B
A
X



1 CG-8007 HOST STAND
1:12 ISOMETRIC FRONT

2 CG-8007 HOST STAND
1:12 ISOMETRIC REAR

DRAWING ARE NOT TO BE SCALED. CONTRACTOR MUST CHECK AND VERIFY ALL JOB DIMENSIONS, DRAWINGS, DETAILS AND SPECIFICATIONS; AND REPORT ANY DISCREPANCIES TO DESIGNER BEFORE PROCEEDING WITH WORK.

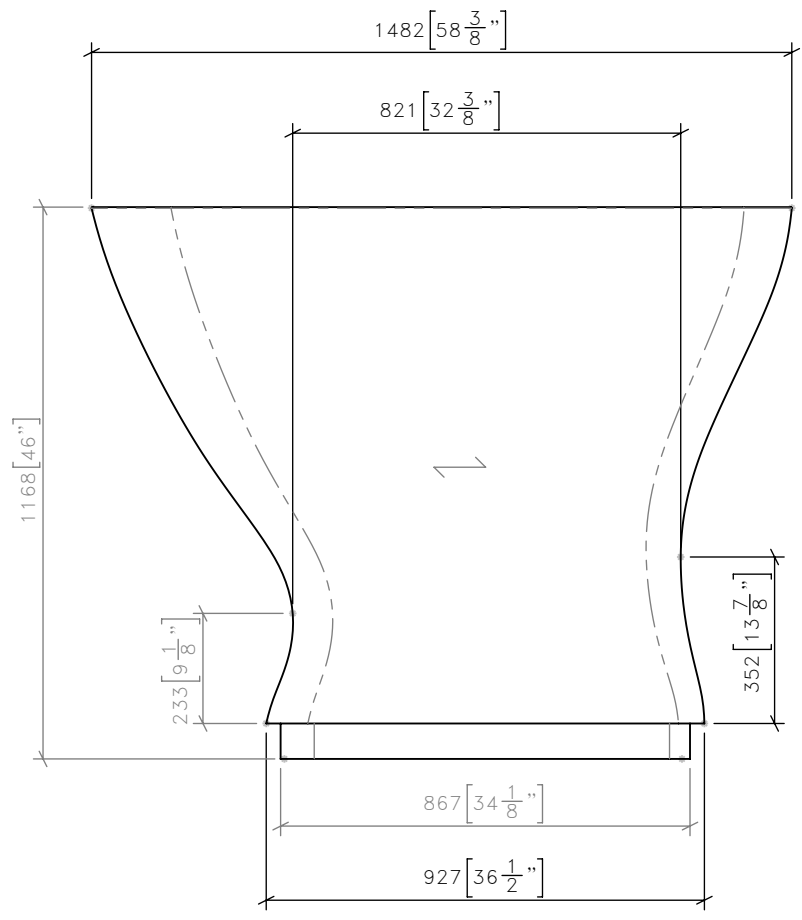
REV	ISSUED FOR	DATE

STUDIO MUNGE
25 WINGOLD AVENUE
TORONTO, ONTARIO
M6B 1P8 CANADA
416.588.1668
STUDIOMUNGE.COM

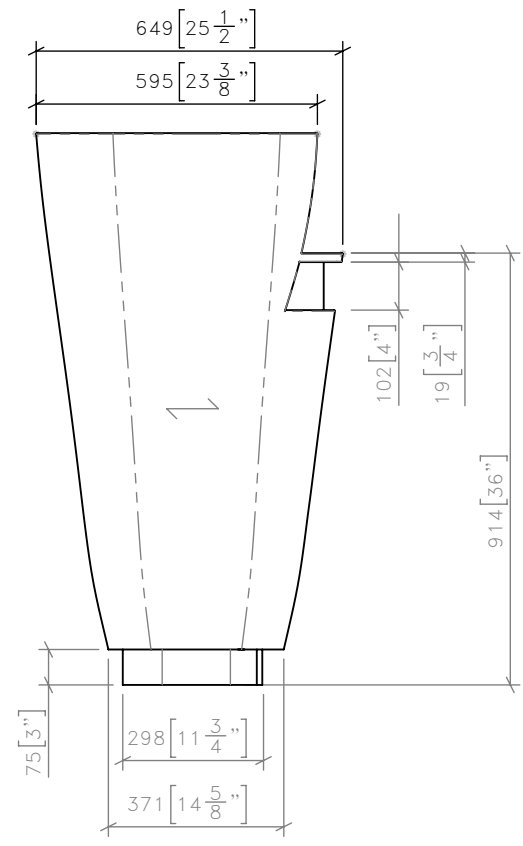
SCALE AS NOTED	DATE 5/20/21
DRAWN BY CS	CHECKED BY
PROJECT NAME MGM QINGDAO	
DRAWING TITLE CG-8007 HOST STAND	
PROJECT NUMBER 17162	
DRAWING NUMBER 2 / 5	

DRAWING ARE NOT TO BE SCALED. CONTRACTOR MUST CHECK AND VERIFY ALL JOB DIMENSIONS, DRAWINGS, DETAILS AND SPECIFICATIONS; AND REPORT ANY DISCREPANCIES TO DESIGNER BEFORE PROCEEDING WITH WORK.

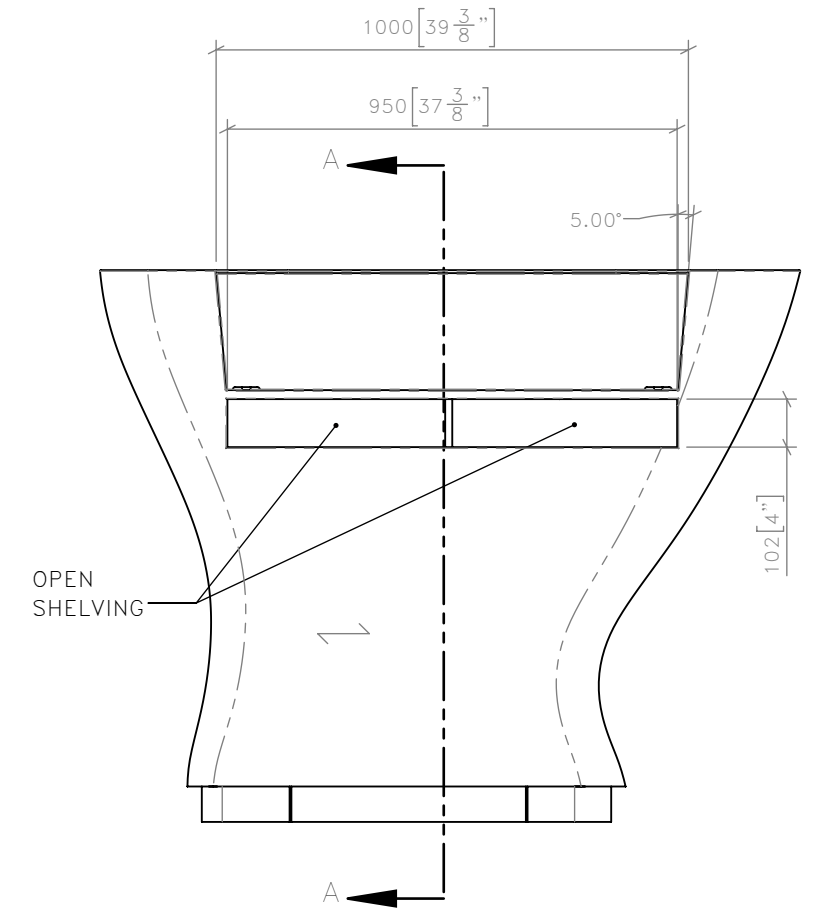
REV	ISSUED FOR	DATE



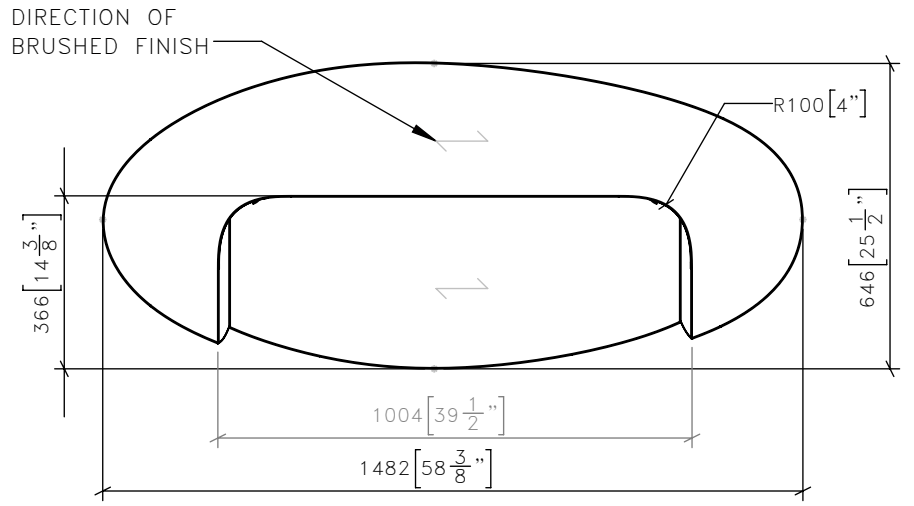
3 CG-8007 HOST STAND FRONT ELEVATION
1:16



5 CG-8007 HOST STAND SIDE ELEVATION
1:16



6 CG-8007 HOST STAND REAR ELEVATION
1:16



4 CG-8007 HOST STAND PLAN
1:16

STUDIO MUNGE
25 WINGOLD AVENUE
TORONTO, ONTARIO
M6B 1P8 CANADA
416.588.1668
STUDIOMUNGE.COM

SCALE AS NOTED DATE 5/20/21

DRAWN BY RC CHECKED BY

PROJECT NAME

MGM QINGDAO

DRAWING TITLE

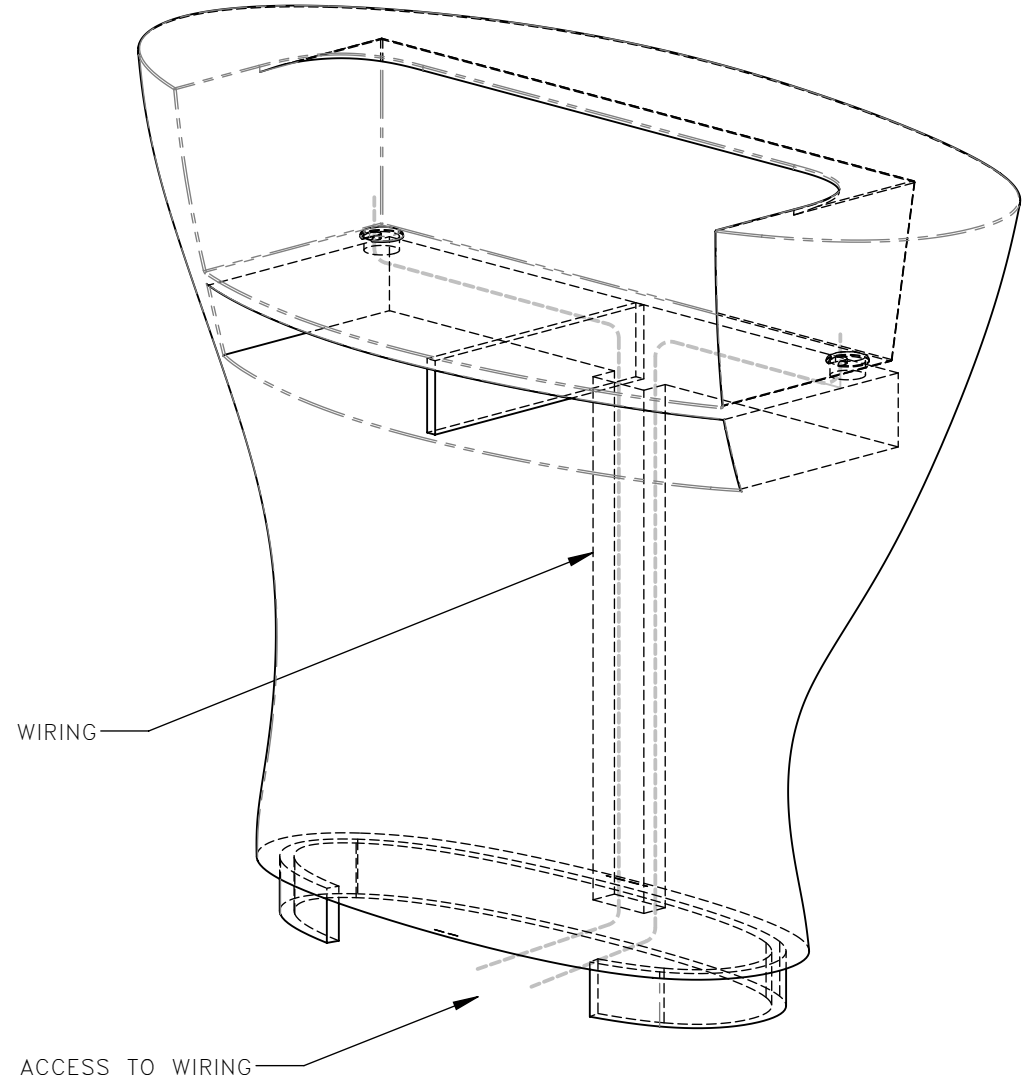
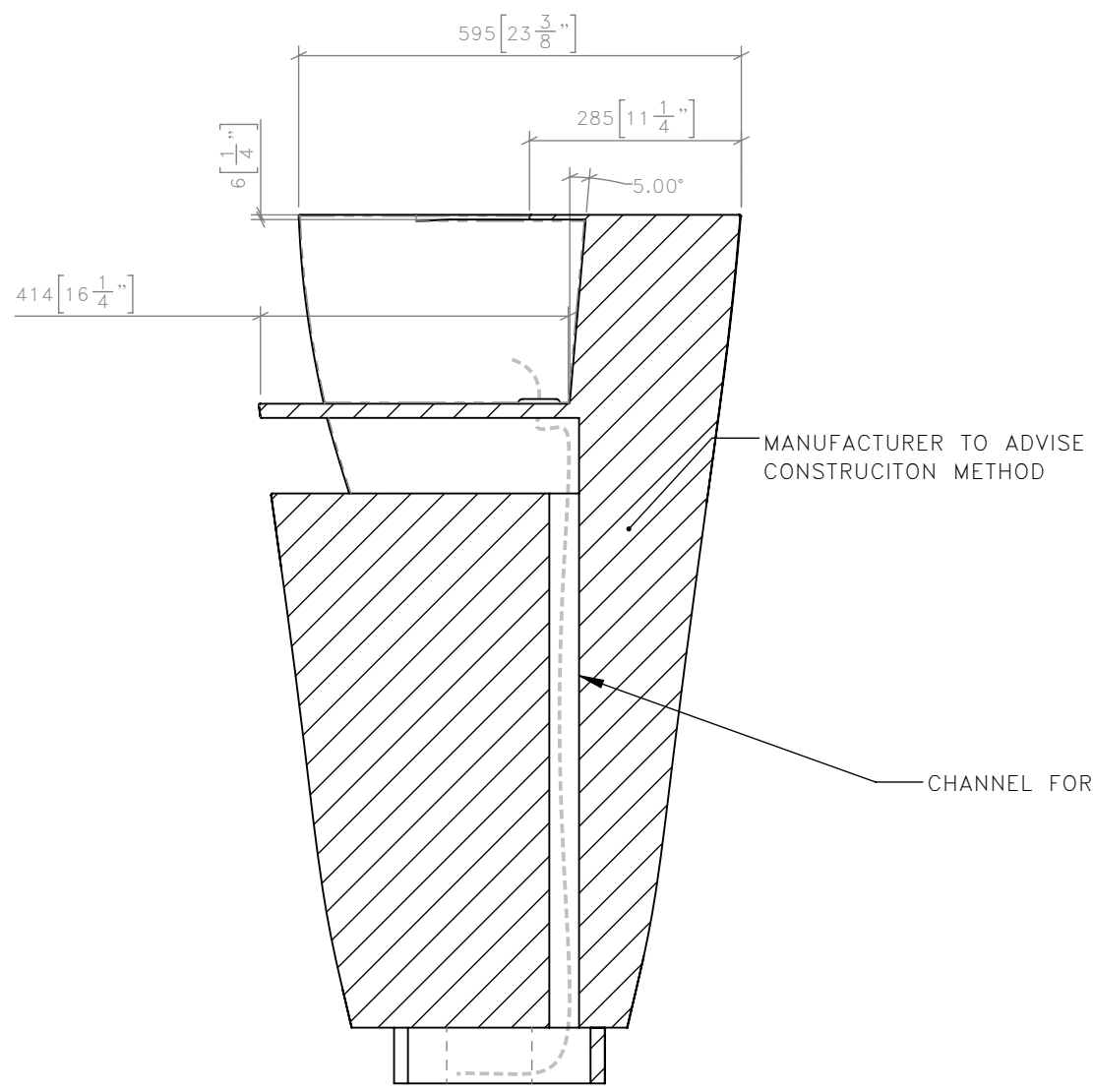
CG-8007 HOST STAND

PROJECT NUMBER 17162

DRAWING NUMBER 3 / 5

DRAWING ARE NOT TO BE SCALED. CONTRACTOR MUST CHECK AND VERIFY ALL JOB DIMENSIONS, DRAWINGS, DETAILS AND SPECIFICATIONS; AND REPORT ANY DISCREPANCIES TO DESIGNER BEFORE PROCEEDING WITH WORK.

REV	ISSUED FOR	DATE



7 CG-8007 HOST STAND
1:10 SECTION A-A

8 CG-8007 HOST STAND
1:10 ISOMETRIC REAR

STUDIO MUNGE
25 WINGOLD AVENUE
TORONTO, ONTARIO
M6B 1P8 CANADA
416.588.1668
STUDIOMUNGE.COM

SCALE AS NOTED	DATE 5/20/21
DRAWN BY RC	CHECKED BY
PROJECT NAME MGM QINGDAO	
DRAWING TITLE CG-8007 HOST STAND	
PROJECT NUMBER 17162	
DRAWING NUMBER 4 / 5	

STUDIO MUNGE
Y
E
D
C
B
A
Y

1 2 3 4 5 6

1 2 3 4 5 6



9 CG-8007 HOST STAND
1:10 RENDERED VIEW

DRAWING ARE NOT TO BE SCALED. CONTRACTOR MUST CHECK AND VERIFY ALL JOB DIMENSIONS, DRAWINGS, DETAILS AND SPECIFICATIONS; AND REPORT ANY DISCREPANCIES TO DESIGNER BEFORE PROCEEDING WITH WORK.

REV	ISSUED FOR	DATE

STUDIO MUNGE
25 WINGOLD AVENUE
TORONTO, ONTARIO
M6B 1P8 CANADA
416.588.1668
STUDIOMUNGE.COM

SCALE AS NOTED DATE 5/20/21

DRAWN BY CS CHECKED BY

PROJECT NAME
MGM QINGDAO

DRAWING TITLE
CG-8007
HOST STAND

PROJECT NUMBER
17162

DRAWING NUMBER
5 / 5