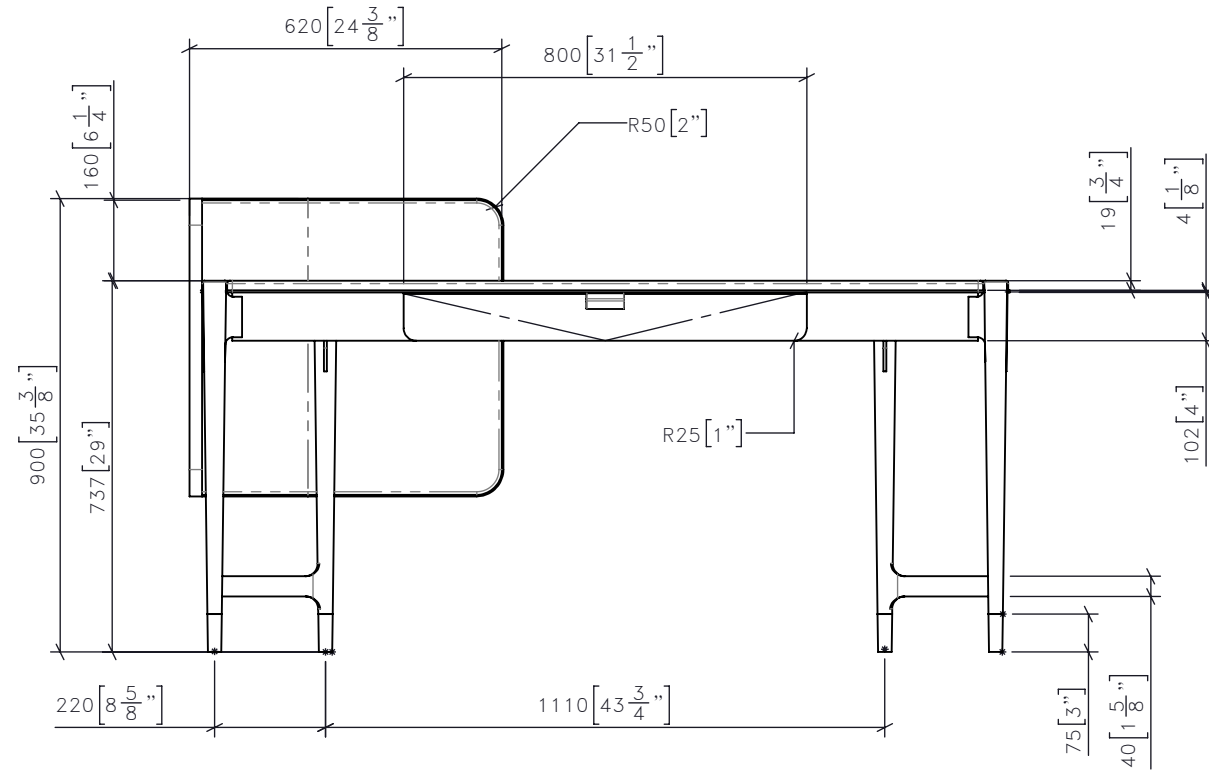
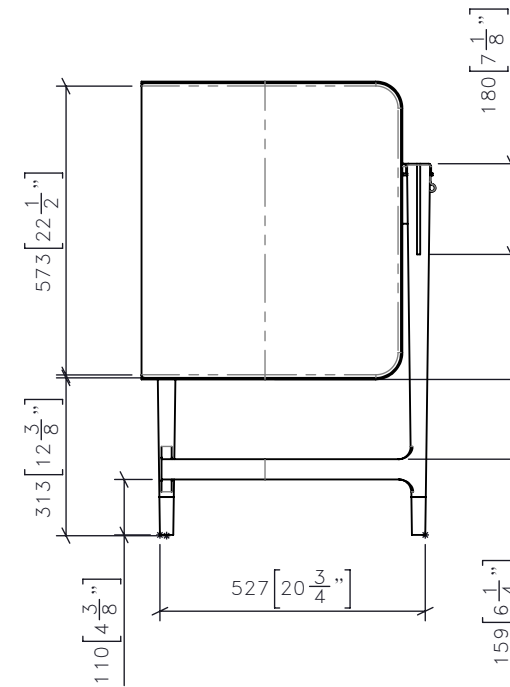


FOR DESIGN INTENT ONLY

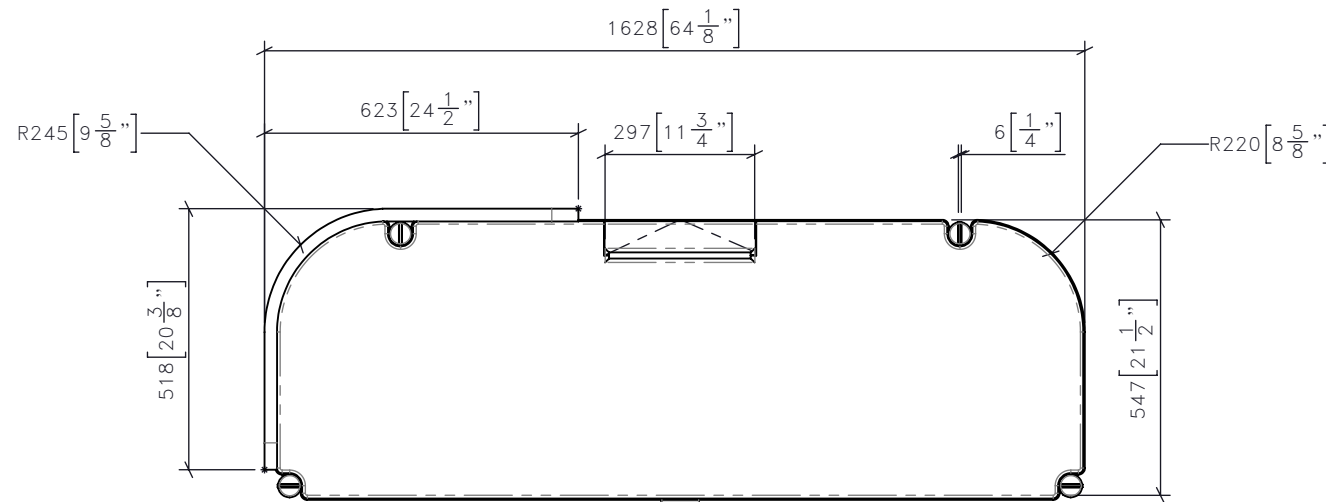
DRAWING ARE NOT TO BE SCALED. CONTRACTOR MUST CHECK AND VERIFY ALL JOB DIMENSIONS, DRAWINGS, DETAILS AND SPECIFICATIONS; AND REPORT ANY DISCREPANCIES TO DESIGNER BEFORE PROCEEDING WITH WORK.



1 CG-205 TYPICAL KING DESK (TYPE D)
1:15 FRONT ELEVATION



3 CG-205 TYPICAL KING DESK (TYPE D)
1:15 SIDE ELEVATION



2 CG-205 TYPICAL KING DESK (TYPE D)
1:15 PLAN

NOTE - MANUFACTURER TO SITE VERIFY FITMENT OF CG-205 COMPONENTS IN ELEVATORS AND DOORWAYS
NOTE - MANUFACTURER TO ENSURE UNIT IS STABLE/SAFE FOR HOSPITALITY USE

-REV/	-ISSUED FOR	-DATE

STUDIO MUNGE
25 WINGOLD AVENUE
TORONTO, ONTARIO
M6B 1P8 CANADA
416.588.1668
STUDIOMUNGE.COM

-SCALE AS NOTED	-DATE 6/11/19
-DRAWN BY LS	-CHECKED BY
-PROJECT NAME MGM QINGDAO	
-DRAWING TITLE CG-205 TYPICAL KING DESK (TYPE D)	
-PROJECT NUMBER 17126	
-DRAWING NUMBER 1 / 4	

STUDIO MUNGE

FOR DESIGN INTENT ONLY

DRAWING ARE NOT TO BE SCALED. CONTRACTOR MUST CHECK AND VERIFY ALL JOB DIMENSIONS, DRAWINGS, DETAILS AND SPECIFICATIONS; AND REPORT ANY DISCREPANCIES TO DESIGNER BEFORE PROCEEDING WITH WORK.

LEATHER DRAWER PULL
CGF-205A

METAL TRIM SURROUND
FF-ML-201

PADDED LEATHER PARTITION
SECURED TO DESK

TIGHT/TAILORED UPHOLSTERY

CGF-205A

METAL AND WOOD
JOINERY DETAIL
REFERENCE IMAGE A.



CUSTOM PROFILE
TAPERED LEGS
50MM TO 21MM
HARDWOOD

FF-WD-201

CUSTOM PROFILE
TAPERED STRETCHER
HARDWOOD

JOINERY BLENDS INTO LEGS

FF-WD-201

4 CG-205 TYPICAL KING DESK (TYPE D)
1:10 FRONT DIMETRIC

WIRE MANAGEMENT CABINET

SOSS HINGED
RECESSED FINGER PULL/WIRE
SLOT

INTEGRATED POWER WITHIN
SPECIFICATION TO BE
CONFIRMED BY CLIENT

FF-WD-201

REFERENCE IMAGE B.



HARDWOOD TABLETOP
FF-WD-201

METAL TRIM 3MM PROUD
FF-ML-201

HARDWOOD FRAME
HARDWOOD CORNER
BLOCKING FOR STABILITY
FF-WD-201

BRASS LEG CAPS
ADD GLIDES AS NEEDED
FF-ML-201

DRAWER
SOFT-CLOSE UNDERMOUNT
GLIDES
FF-WD-201

LEATHER PULL
CGF-205A

-REV/	-ISSUED FOR	-DATE

STUDIO MUNGE
25 WINGOLD AVENUE
TORONTO, ONTARIO
M6B 1P8 CANADA
416.588.1668
STUDIOMUNGE.COM

-SCALE AS NOTED
-DATE 6/11/19

-DRAWN BY LS
-CHECKED BY

-PROJECT NAME

MGM QINGDAO

-DRAWING TITLE

CG-205
TYPICAL KING DESK (TYPE D)

-PROJECT NUMBER
17126

-DRAWING NUMBER
2 / 4

NOTE - MANUFACTURER TO SITE VERIFY FITMENT OF CG-205 COMPONENTS IN ELEVATORS AND DOORWAYS
NOTE - MANUFACTURER TO ENSURE UNIT IS STABLE/SAFE FOR HOSPITALITY USE

STUDIO MUNGE
Y
E
M
D
C
B
A
Y

1 2 3 4 5 6

FOR DESIGN INTENT ONLY

DRAWING ARE NOT TO BE SCALED. CONTRACTOR MUST CHECK AND VERIFY ALL JOB DIMENSIONS, DRAWINGS, DETAILS AND SPECIFICATIONS; AND REPORT ANY DISCREPANCIES TO DESIGNER BEFORE PROCEEDING WITH WORK.

-REV/	-ISSUED FOR	-DATE



**STUDIO
MUNGE**
25 WINGOLD AVENUE
TORONTO, ONTARIO
M6B 1P8 CANADA
416.588.1668
STUDIOMUNGE.COM

-SCALE
AS NOTED

-DATE
6/11/19

-DRAWN BY
LS

-CHECKED BY

-PROJECT NAME

MGM QINGDAO

-DRAWING TITLE

CG-205
TYPICAL KING DESK (TYPE D)

-PROJECT NUMBER
17126

-DRAWING NUMBER
3 / 4

1 2 3 4 5 6

STUDIO MUNGE
Y
E
M
D
C
B
A
Y

1 2 3 4 5 6

FOR DESIGN INTENT ONLY

DRAWING ARE NOT TO BE SCALED. CONTRACTOR MUST CHECK AND VERIFY ALL JOB DIMENSIONS, DRAWINGS, DETAILS AND SPECIFICATIONS; AND REPORT ANY DISCREPANCIES TO DESIGNER BEFORE PROCEEDING WITH WORK.

-REV/	-ISSUED FOR	-DATE



**STUDIO
MUNGE**
25 WINGOLD AVENUE
TORONTO, ONTARIO
M6B 1P8 CANADA
416.588.1668
STUDIOMUNGE.COM

-SCALE
AS NOTED

-DATE
6/11/19

-DRAWN BY
LS

-CHECKED BY

-PROJECT NAME

MGM QINGDAO

-DRAWING TITLE

CG-205
TYPICAL KING DESK (TYPE D)

-PROJECT NUMBER
17126

-DRAWING NUMBER
4 / 4

1 2 3 4 5 6