

STUDIO MUNGE

CASE GOODS INSTRUCTONS:

- DRAWINGS PROVIDED ARE FOR DESIGN INTENT ONLY
- SUBMITTAL OF SHOP DRAWINGS, FINISH SAMPLES, AND/OR PROTOTYPE TO STUDIO MUNGE FOR REVIEW AND WRITTEN APPROVAL IS REQUIRED FOR ALL PIECES SUPPLIED BY INDICATED VENDOR OR OTHER.
- PROVIDE CONTRACT QUALITY LOW PROFILE LEVELERS AS REQUIRED
- PROVIDE CONTRACT QUALITY LOW PROFILE GLIDES TO PROTECT FLOOR FROM SCRATCHING
- PROVIDE CONTRACT QUALITY UNDER-MOUNTED SOFT CLOSE SLIDES FOR PULL OUT COMPONENTS UNLESS OTHERWISE SPECIFIED
- PROVIDE CONTRACT QUALITY SOFT CLOSE HINGED UNLESS OTHERWISE SPECIFIED
- REFER TO DRAWINGS FOR DETAILS
- BLOCKING TO BE COORDINATED ONSITE TO PREVENT TIPPING
- INTEGRATED LIGHTING TO BE COORDINATED WITH ELECTRICAL ENGINEER
- HARDWARE TO BE CONTRACT GRADE AND REVIEWED BY SM FOR APPROVAL
- WOOD CONSTRUCTION IS TO BE SELECTED, SEASONED, FREE OF KNOTS, FREE OF WORMS AND VERMIN, AND KILN-DRIED TO A MOISTURE CONTENT NOT TO EXCEED 7%. IF IMPORTED, FUMIGATION MAY BE REQUIRED DEPENDING ON COUNTRY OF ORIGIN AND CERTIFICATE
- ALL WELDS ON METAL TO BE GROUND SMOOTH AND CLEAN
- PURCHASING AGENT TO SUBMIT ALL NEW SUBSTITUTIONS TO STUDIO MUNGE FOR WRITTEN APPROVAL PRIOR TO MANUFACTURING AND PURCHASING

MATERIAL INSTRUCTONS:

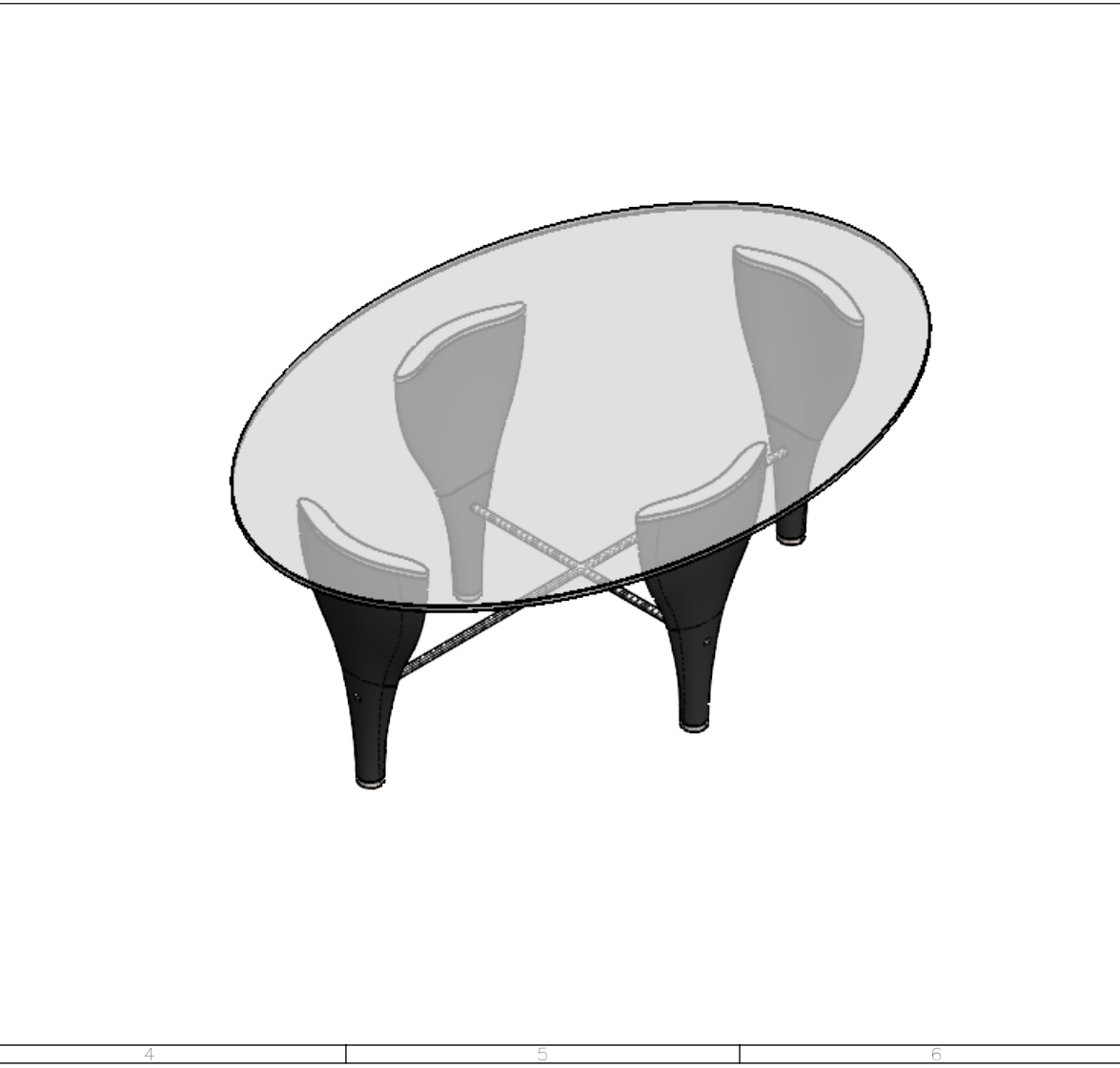
- MATERIALS TO BE OUTDOOR GRADE WHEN REQUIRED AND SPECIFIED IN DRAWINGS AND ORDER
- REFER TO DRAWINGS FOR GRAIN DIRECTION WHEN APPLICABLE

MATERIAL CODE	DESCRIPTION	COLOR/FINISH
FF-ML-1002	METAL BASE AND TRIM	CHAMPAGNE HAIRLINE FINISH
FF-GL-1002	GLASS TABLETOP	GLASS - BROWN TINT
FF-WD-1001	HARDWOOD LEGS	HARDWOOD - DARK STAINED EBONY IN HIGH GLOSS LAQUERED FINISH

EQUIPMENT CODE	EQUIPMENT DESCRIPTION	QTY

REQUIRED ITEM(S) FOR DESIGNER APPROVAL PRIOR TO FABRICATION

- SEAMING DIAGRAM
 SHOP DRAWINGS
 PROTOTYPE
 FINISH SAMPLE



DRAWING ARE NOT TO BE SCALED. CONTRACTOR MUST CHECK AND VERIFY ALL JOB DIMENSIONS, DRAWINGS, DETAILS AND SPECIFICATIONS; AND REPORT ANY DISCREPANCIES TO DESIGNER BEFORE PROCEEDING WITH WORK.

-REV/	-ISSUED FOR	-DATE

STUDIO MUNGE 25 WINGOLD AVENUE
TORONTO, ONTARIO
M6B 1P8 CANADA
416.588.1668
STUDIOMUNGE.COM

-SCALE
AS NOTED

-DATE
8/6/20

-DRAWN BY
LS

-CHECKED BY

-PROJECT NAME
MGM QINGDAO

-DRAWING TITLE
CG-1006
COFFEE TABLE

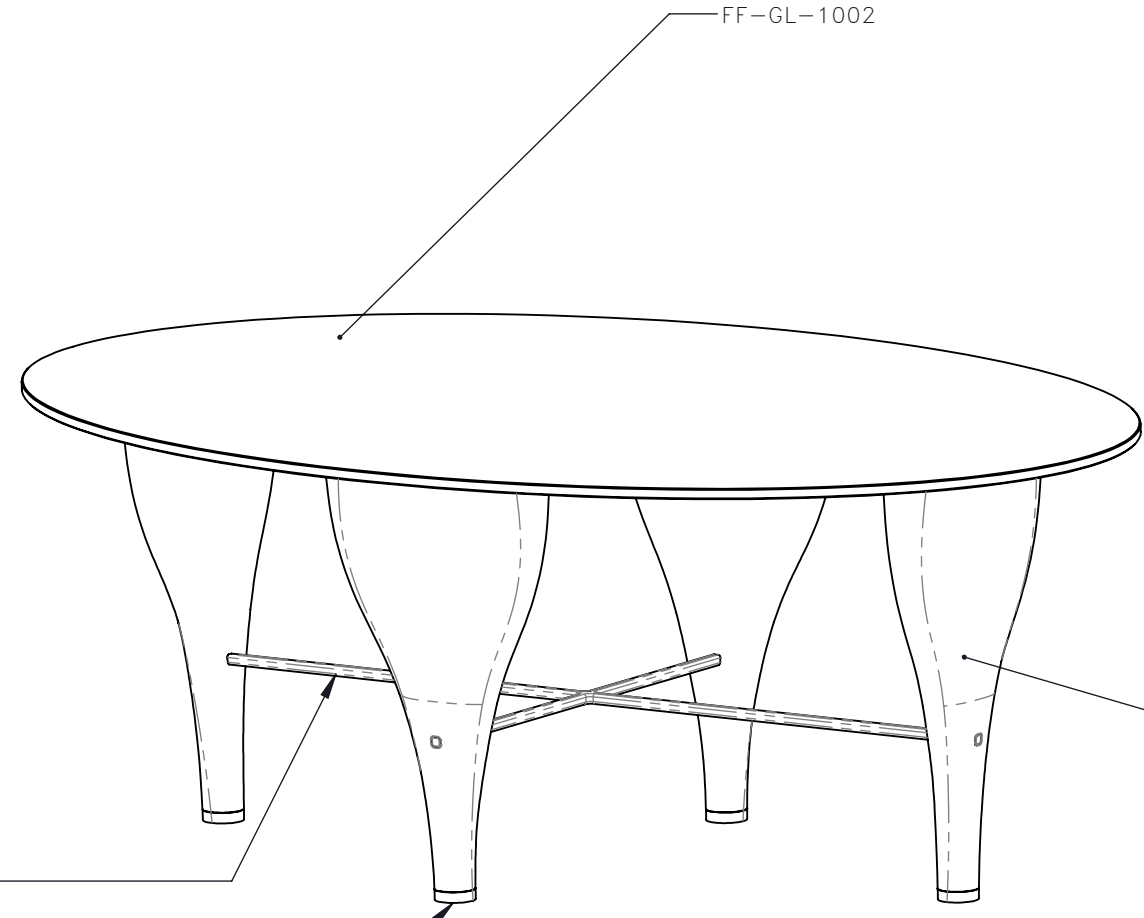
-PROJECT NUMBER
17126

-DRAWING NUMBER
1 / 4

STUDIO MUNGE
M
D
C
B
A
Y

DRAWING ARE NOT TO BE SCALED. CONTRACTOR MUST CHECK AND VERIFY ALL JOB DIMENSIONS, DRAWINGS, DETAILS AND SPECIFICATIONS; AND REPORT ANY DISCREPANCIES TO DESIGNER BEFORE PROCEEDING WITH WORK.

-REV/	-ISSUED FOR	-DATE



FF-ML-1002
METAL STRETCHER

FF-ML-1002
METAL CAPS

FF-WD-1001
CNC CUSTOM PROFILE

FF-ML-1002
METAL CAPS AT TOP OF LEG
UV GLUE GLASS TO LEGS

NOTE: WEIGHT BASE AS NEEDED FOR CONTRACT GRADE STABILITY
NOTE: ADD LOW PROFILE GLIDES AS NEEDED
NOTE: EASE ALL METAL EDGES

1	CG-1006	COFFEE TABLE ISOMETRIC DETAIL
	1:7	

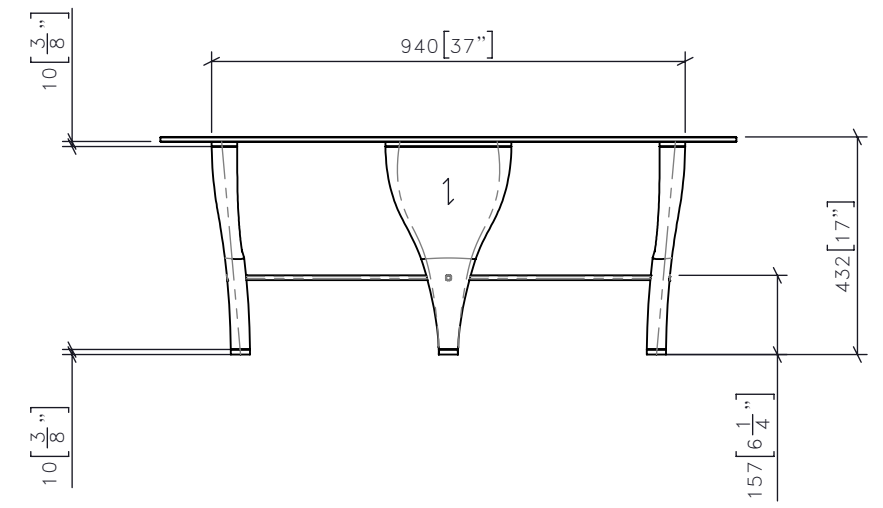
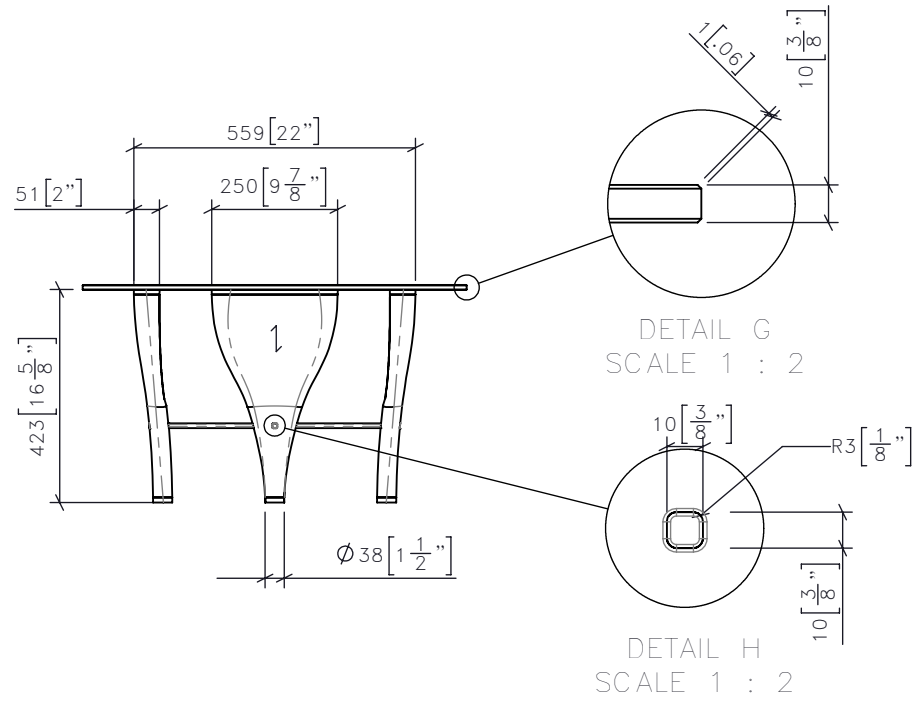
**STUDIO
MUNGE**

25 WINGOLD AVENUE
TORONTO, ONTARIO
M6B 1P8 CANADA
416.588.1668
STUDIOMUNGE.COM

-SCALE AS NOTED	-DATE 8/6/20
-DRAWN BY LS	-CHECKED BY
-PROJECT NAME MGM QINGDAO	
-DRAWING TITLE CG-1006 COFFEE TABLE	
-PROJECT NUMBER 17126	
-DRAWING NUMBER 2 / 4	

DRAWING ARE NOT TO BE SCALED. CONTRACTOR MUST CHECK AND VERIFY ALL JOB DIMENSIONS, DRAWINGS, DETAILS AND SPECIFICATIONS; AND REPORT ANY DISCREPANCIES TO DESIGNER BEFORE PROCEEDING WITH WORK.

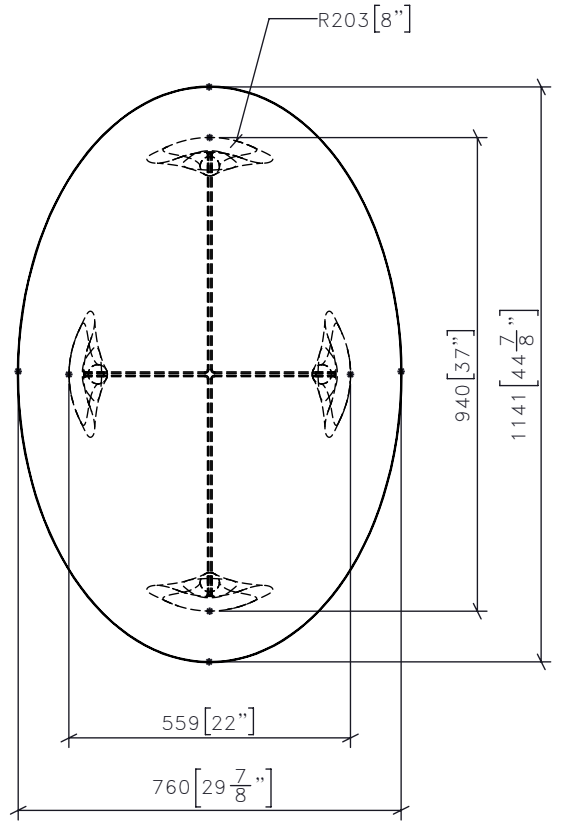
-REV/	-ISSUED FOR	-DATE



3 CG-1006 COFFEE TABLE
1:15 FRONT ELEVATION

5 CG-1006 COFFEE TABLE
1:15 SIDE ELEVATION

STUDIO MUNGE
25 WINGOLD AVENUE
TORONTO, ONTARIO
M6B 1P8 CANADA
416.588.1668
STUDIOMUNGE.COM



4 CG-1006 COFFEE TABLE
1:15 PLAN

-SCALE AS NOTED
-DATE 8/6/20

-DRAWN BY LS
-CHECKED BY

-PROJECT NAME

MGM QINGDAO

-DRAWING TITLE

CG-1006
COFFEE TABLE

-PROJECT NUMBER
17126

-DRAWING NUMBER
3 / 4

STUDIO MUNGE
Y
E
M
D
C
B
A
Y



DRAWING ARE NOT TO BE SCALED. CONTRACTOR MUST CHECK AND VERIFY ALL JOB DIMENSIONS, DRAWINGS, DETAILS AND SPECIFICATIONS; AND REPORT ANY DISCREPANCIES TO DESIGNER BEFORE PROCEEDING WITH WORK.

-REV/	-ISSUED FOR	-DATE

**STUDIO
MUNGE**
25 WINGOLD AVENUE
TORONTO, ONTARIO
M6B 1P8 CANADA
416.588.1668
STUDIOMUNGE.COM

-SCALE
AS NOTED

-DATE
8/6/20

-DRAWN BY
LS

-CHECKED BY

-PROJECT NAME

MGM QINGDAO

-DRAWING TITLE

CG-1006
COFFEE TABLE

-PROJECT NUMBER
17126

-DRAWING NUMBER
4 / 4