

STUDIO MUNGE

SEATING INSTRUCTONS:

- ALL SEAMS TO BE BLIND UNLESS OTHERWISE SPECIFIED
- SUBMITTAL OF SHOP DRAWINGS, FINISH SAMPLES, AND/OR PROTOTYPE TO STUDIO MUNGE FOR REVIEW AND WRITTEN APPROVAL IS REQUIRED FOR ALL PIECES SUPPLIED BY INDICATED VENDOR OR OTHER.
- TO BE TIGHT UPHOLSTERED UNLESS OTHERWISE SPECIFIED
- DRAWINGS PROVIDED ARE FOR DESIGN INTENT ONLY
- PROVIDE CONTRACT QUALITY LOW PROFILE LEVELERS AS REQUIRED
- PROVIDE CONTRACT QUALITY LOW PROFILE GLIDES TO PROTECT FLOOR FROM SCRATCHING
- REFER TO DRAWINGS FOR DETAILS
- HARDWARE TO BE HIDDEN UNLESS OTHERWISE SPECIFIED
- HARDWARE TO BE REVIEWED AND APPROVED BY SM
- MANUFACTURER TO ENSURE NO ISSUE WITH SITE ACCESS AND CLEARANCE FOR DELIVERY AND INSTALLATION
- PURCHASING AGENT TO SUBMIT ALL NEW SUBSTITUTIONS TO STUDIO MUNGE FOR WRITTEN APPROVAL PRIOR TO MANUFACTURING AND PURCHASING

ACCESSORY CODE	DESCRIPTION
FB-AC-09A	18" X 18" PILLOW X 2 REFER TO CUTSHEET
FB-AC-09B	16" X 16" PILLOW X 1 REFER TO CUTSHEET
REQUIRED ITEM(S) FOR DESIGNER APPROVAL PRIOR TO FABRICATION	
<input type="checkbox"/> SEAMING DIAGRAM <input type="checkbox"/> SHOP DRAWINGS <input type="checkbox"/> PROTOTYPE <input type="checkbox"/> FINISH SAMPLE	

DRAWING ARE NOT TO BE SCALED. CONTRACTOR MUST CHECK AND VERIFY ALL JOB DIMENSIONS, DRAWINGS, DETAILS AND SPECIFICATIONS; AND REPORT ANY DISCREPANCIES TO DESIGNER BEFORE PROCEEDING WITH WORK.

-REV/	-ISSUED FOR	-DATE

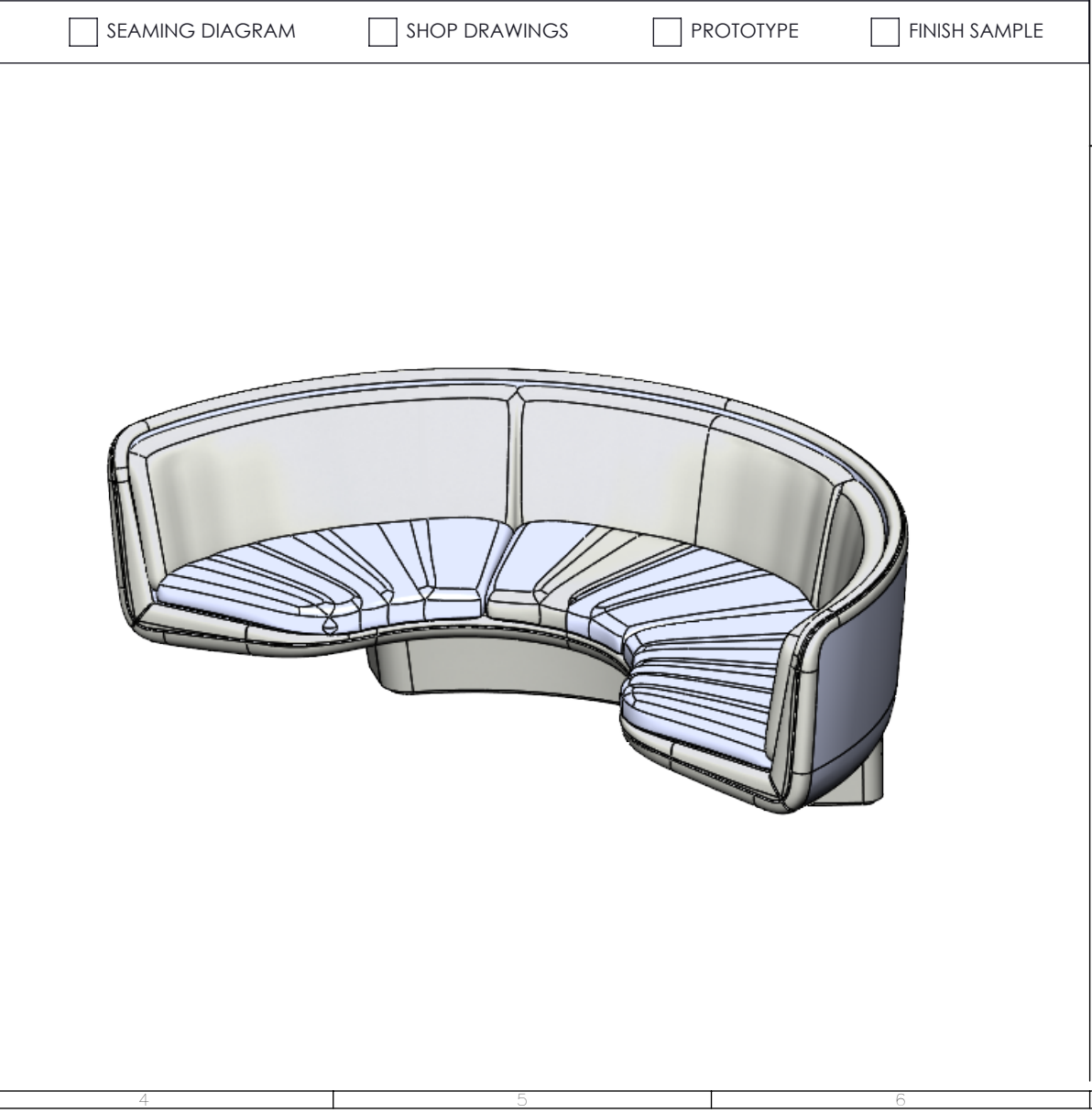
STUDIO MUNGE

25 WINGOLD AVENUE
TORONTO, ONTARIO
M6B 1P8 CANADA
416.588.1668
STUDIOMUNGE.COM

MATERIAL INSTRUCTONS:

-MATERIALS TO BE OUTDOOR GRADE WHEN REQUIRED AND SPECIFIED IN DRAWINGS AND ORDER

MATERIAL CODE	DESCRIPTION	COLOR/FINISH
FAB-8003	REFER TO MATERIAL CUTSHEET	REFER TO FINISH CUTSHEET
FAB-8004	REFER TO MATERIAL CUTSHEET	REFER TO FINISH CUTSHEET

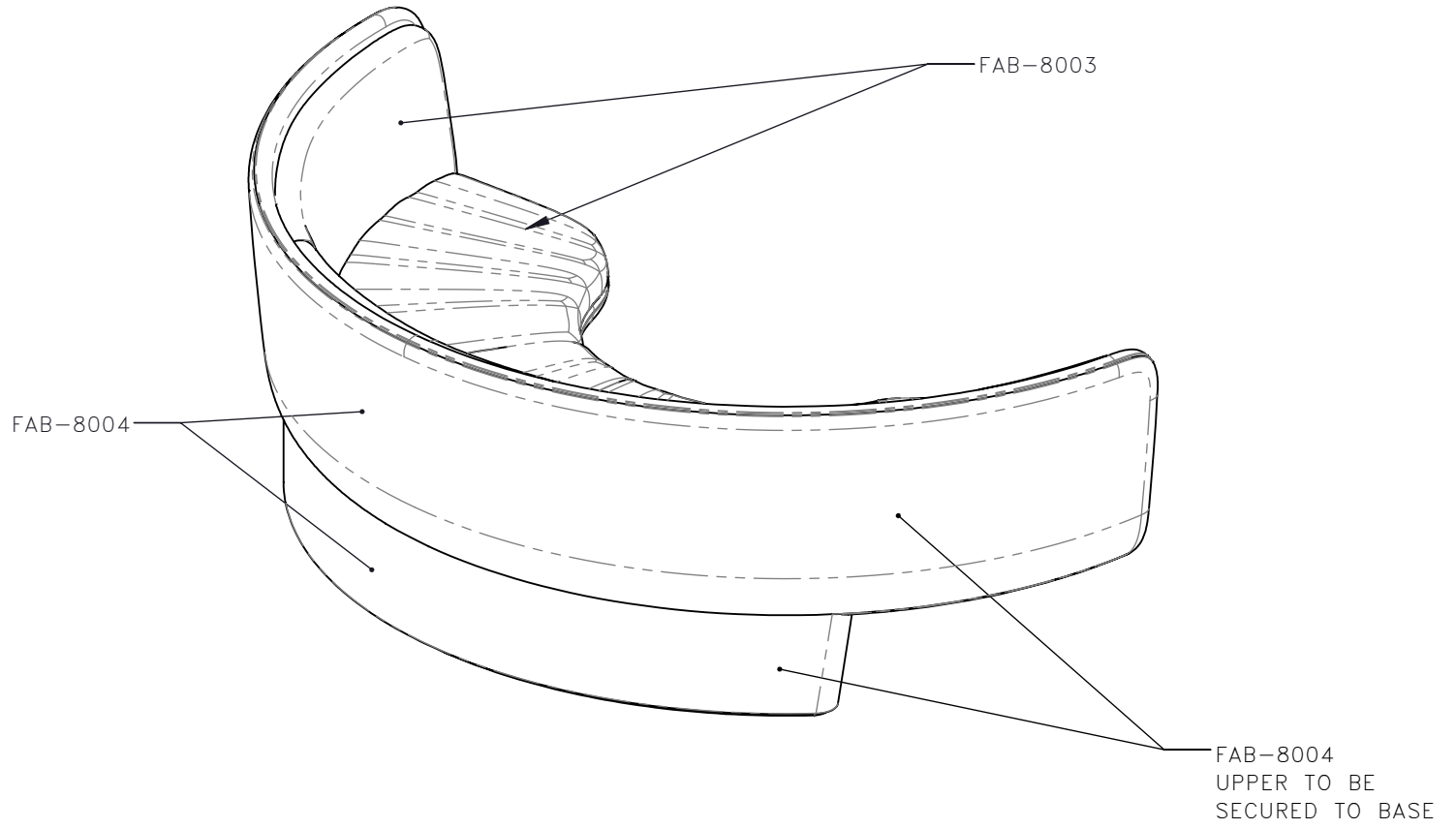


-SCALE AS NOTED	-DATE 2021-05-17
-DRAWN BY RC	-CHECKED BY
-PROJECT NAME	
MGM	
-DRAWING TITLE	
SG-8005 BAR SIDE BAQUETTE	
-PROJECT NUMBER	
17126	
-DRAWING NUMBER	
1 / 5	

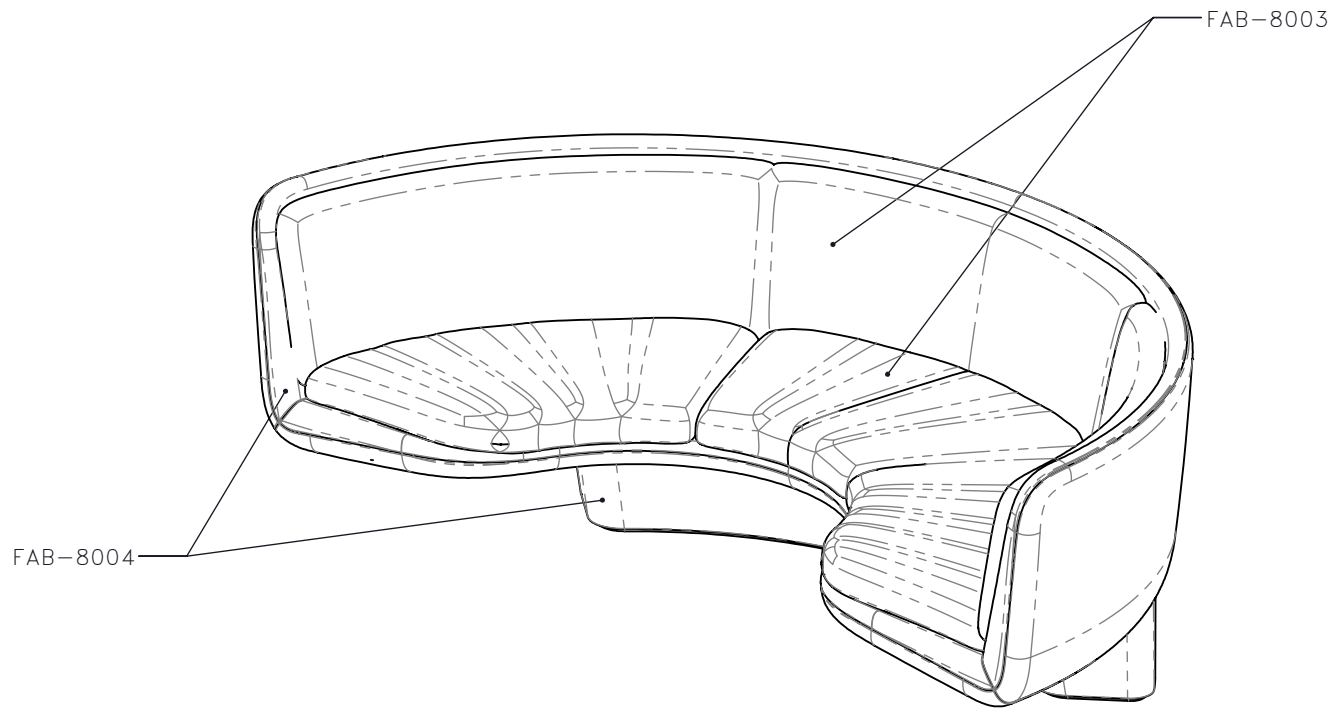
STUDIO MUNGE

DRAWING ARE NOT TO BE SCALED. CONTRACTOR MUST CHECK AND VERIFY ALL JOB DIMENSIONS, DRAWINGS, DETAILS AND SPECIFICATIONS; AND REPORT ANY DISCREPANCIES TO DESIGNER BEFORE PROCEEDING WITH WORK.

-REV/	-ISSUED FOR	-DATE



1 | SG-8005 | **BAR SIDE BAQUETTE**
1:16 | ISOMETRIC REAR



2 | SG-8005 | **BAR SIDE BAQUETTE**
1:16 | ISOMETRIC FRONT

STUDIO MUNGE
25 WINGOLD AVENUE
TORONTO, ONTARIO
M6B 1P8 CANADA
416.588.1668
STUDIOMUNGE.COM

-SCALE
AS NOTED

-DATE
2021-05-17

-DRAWN BY
RC

-CHECKED BY

-PROJECT NAME

MGM

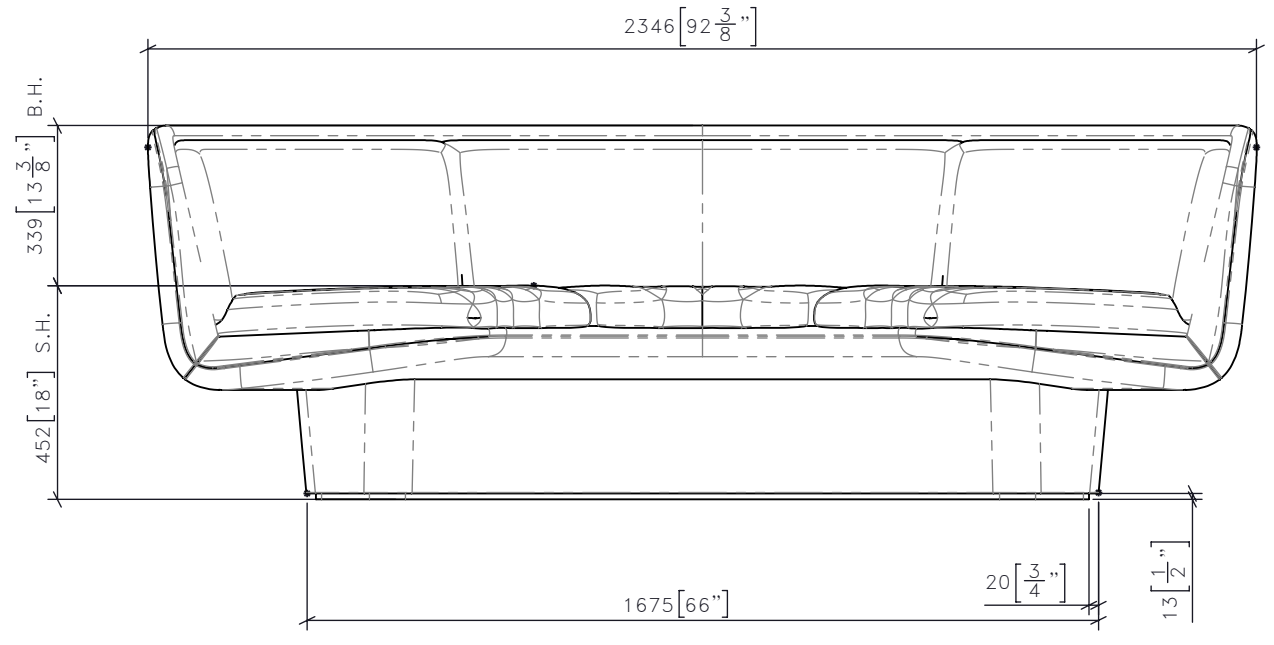
-DRAWING TITLE

SG-8005
BAR SIDE BAQUETTE

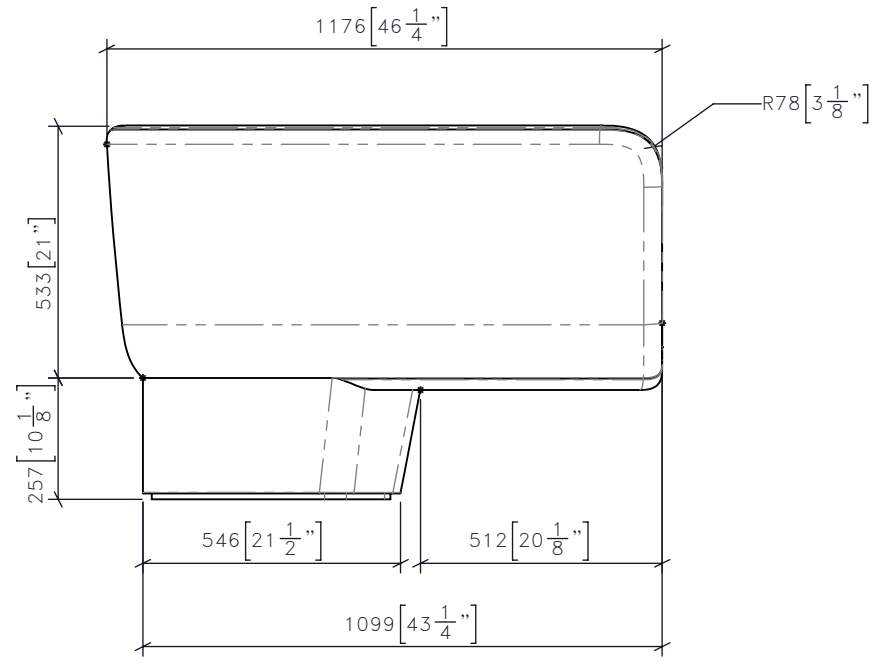
-PROJECT NUMBER
17126

-DRAWING NUMBER
2 / 5

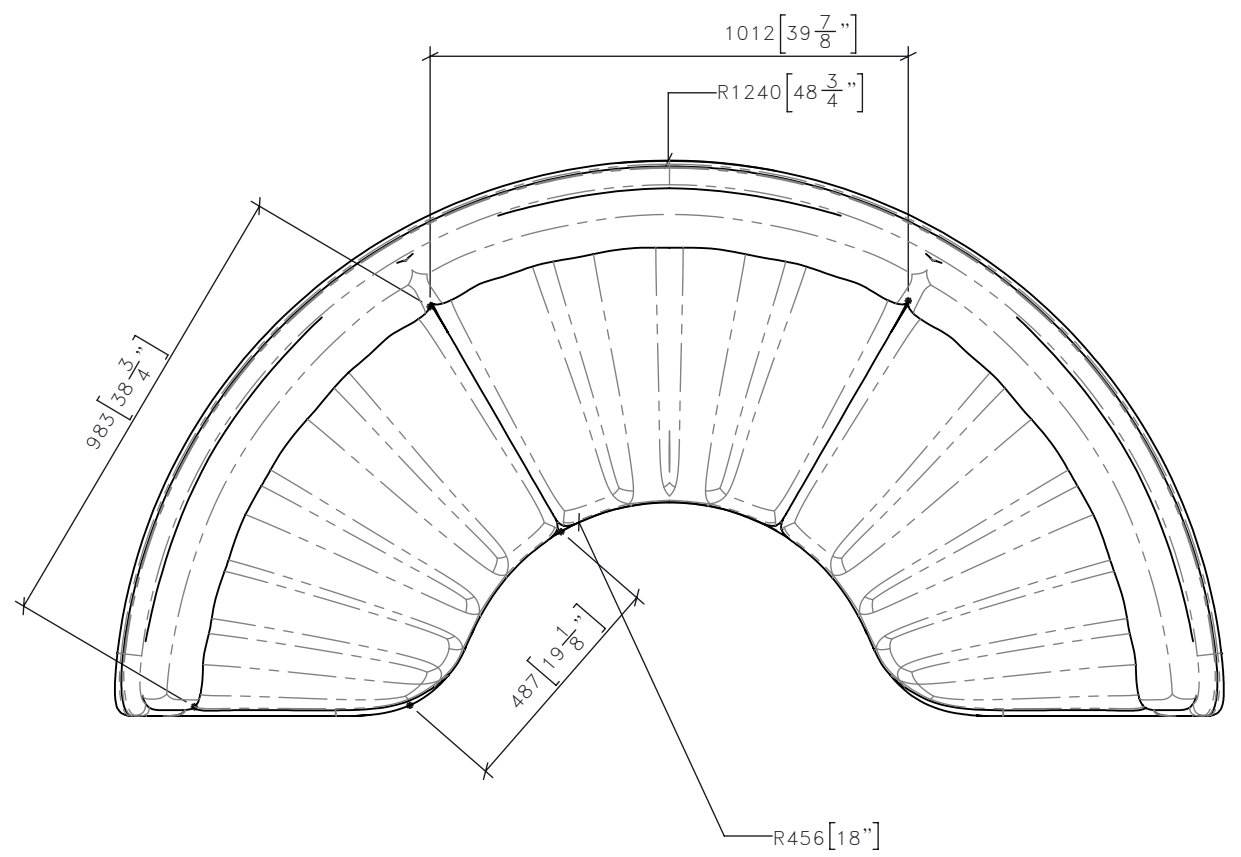
DRAWING ARE NOT TO BE SCALED. CONTRACTOR MUST CHECK AND VERIFY ALL JOB DIMENSIONS, DRAWINGS, DETAILS AND SPECIFICATIONS; AND REPORT ANY DISCREPANCIES TO DESIGNER BEFORE PROCEEDING WITH WORK.



3 | SG-8005 | **BAR SIDE BAQUETTE**
1:16 | **FRONT ELEVATION**



5 | SG-8005 | **BAR SIDE BAQUETTE**
1:16 | **BACK ELEVATION**



4 | SG-8005 | **BAR SIDE BAQUETTE**
1:16 | **PLAN**

-REV/	-ISSUED FOR	-DATE

STUDIO MUNGE
25 WINGOLD AVENUE
TORONTO, ONTARIO
M6B 1P8 CANADA
416.588.1668
STUDIOMUNGE.COM

-SCALE
AS NOTED

-DATE
2021-05-17

-DRAWN BY
RC

-CHECKED BY

-PROJECT NAME

MGM

-DRAWING TITLE

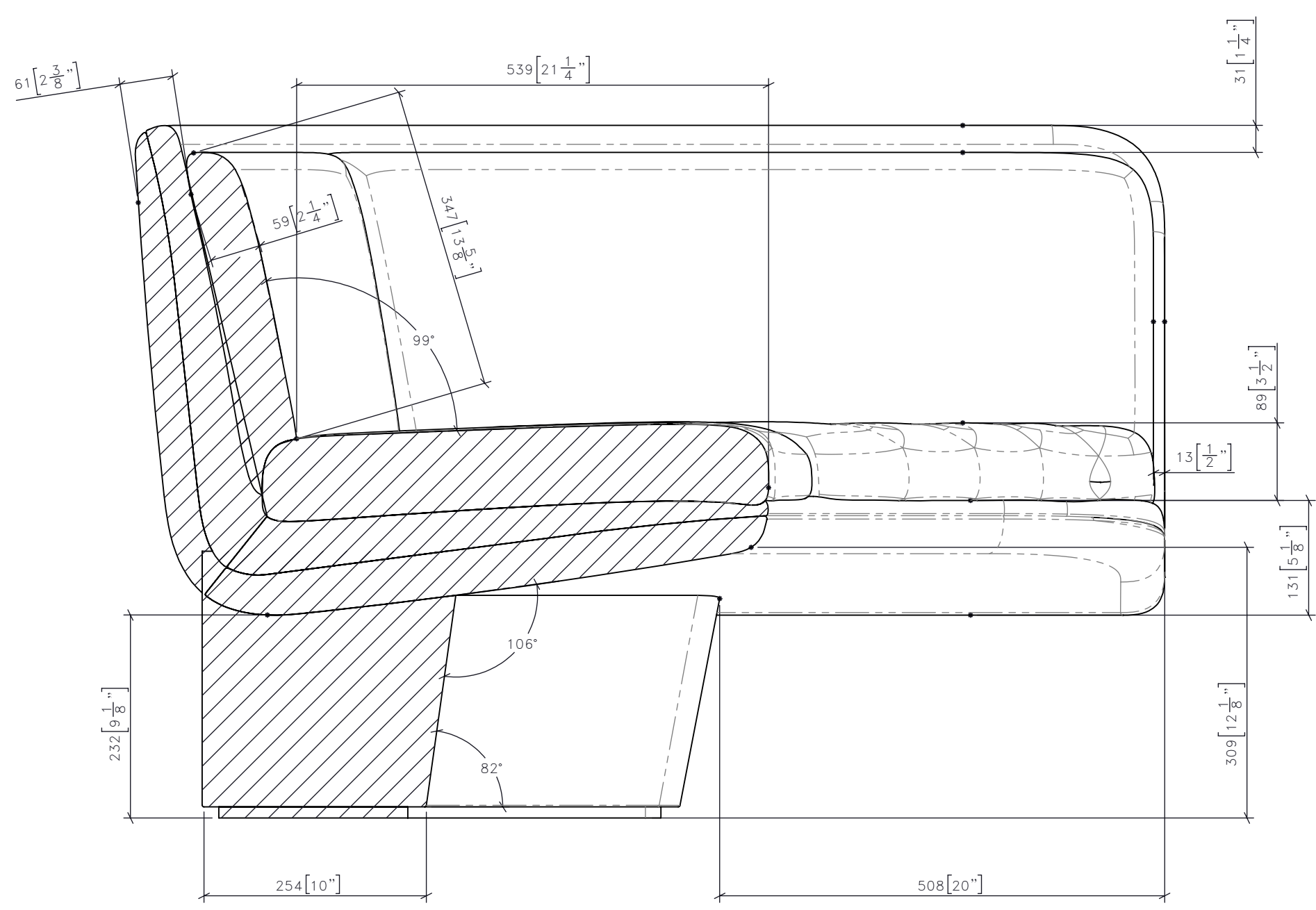
SG-8005
BAR SIDE BAQUETTE

-PROJECT NUMBER
17126

-DRAWING NUMBER
3 / 5

DRAWING ARE NOT TO BE SCALED. CONTRACTOR MUST CHECK AND VERIFY ALL JOB DIMENSIONS, DRAWINGS, DETAILS AND SPECIFICATIONS; AND REPORT ANY DISCREPANCIES TO DESIGNER BEFORE PROCEEDING WITH WORK.

-REV/	-ISSUED FOR	-DATE



STUDIO MUNGE
 25 WINGOLD AVENUE
 TORONTO, ONTARIO
 M6B 1P8 CANADA
 416.588.1668
 STUDIOMUNGE.COM

-SCALE
AS NOTED

-DATE
2021-05-17

-DRAWN BY
RC

-CHECKED BY

-PROJECT NAME

MGM

-DRAWING TITLE

SG-8005
BAR SIDE BAQUETTE

-PROJECT NUMBER
17126

-DRAWING NUMBER
4 / 5

7 | SG-8005 | **BAR SIDE BAQUETTE**
 1:6 | SECTION F-F

STUDIO MUNGE
M
D
C
B
A
Y



8	SG-8005	BAR SIDE BAQUETTE
	1:8	RENDERED VIEW

DRAWING ARE NOT TO BE SCALED. CONTRACTOR MUST CHECK AND VERIFY ALL JOB DIMENSIONS, DRAWINGS, DETAILS AND SPECIFICATIONS; AND REPORT ANY DISCREPANCIES TO DESIGNER BEFORE PROCEEDING WITH WORK.

-REV/	-ISSUED FOR	-DATE

STUDIO MUNGE
25 WINGOLD AVENUE
TORONTO, ONTARIO
M6B 1P8 CANADA
416.588.1668
STUDIOMUNGE.COM

-SCALE AS NOTED	-DATE 2021-05-17
---------------------------	----------------------------

-DRAWN BY RC	-CHECKED BY
------------------------	--------------------

-PROJECT NAME

MGM

-DRAWING TITLE

SG-8005
BAR SIDE BAQUETTE

-PROJECT NUMBER
17126

-DRAWING NUMBER
5 / 5