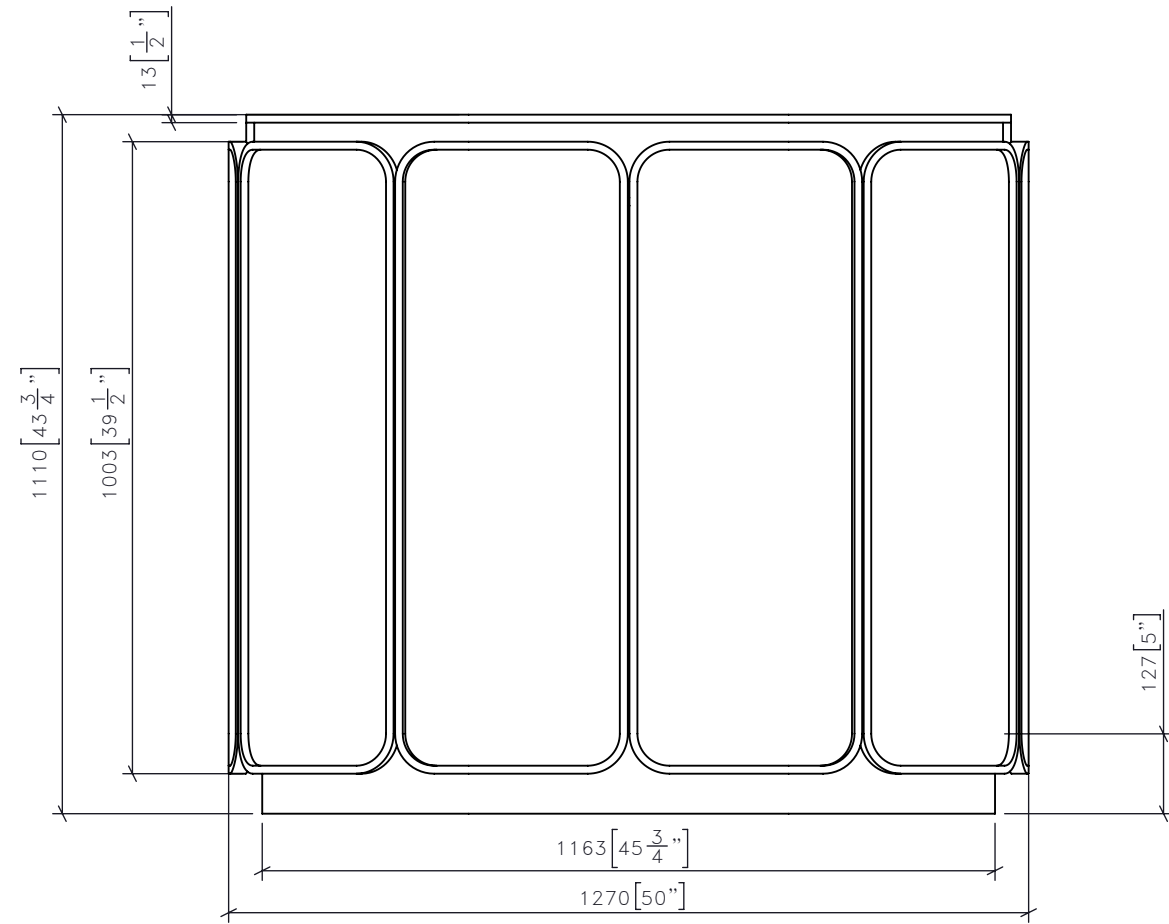
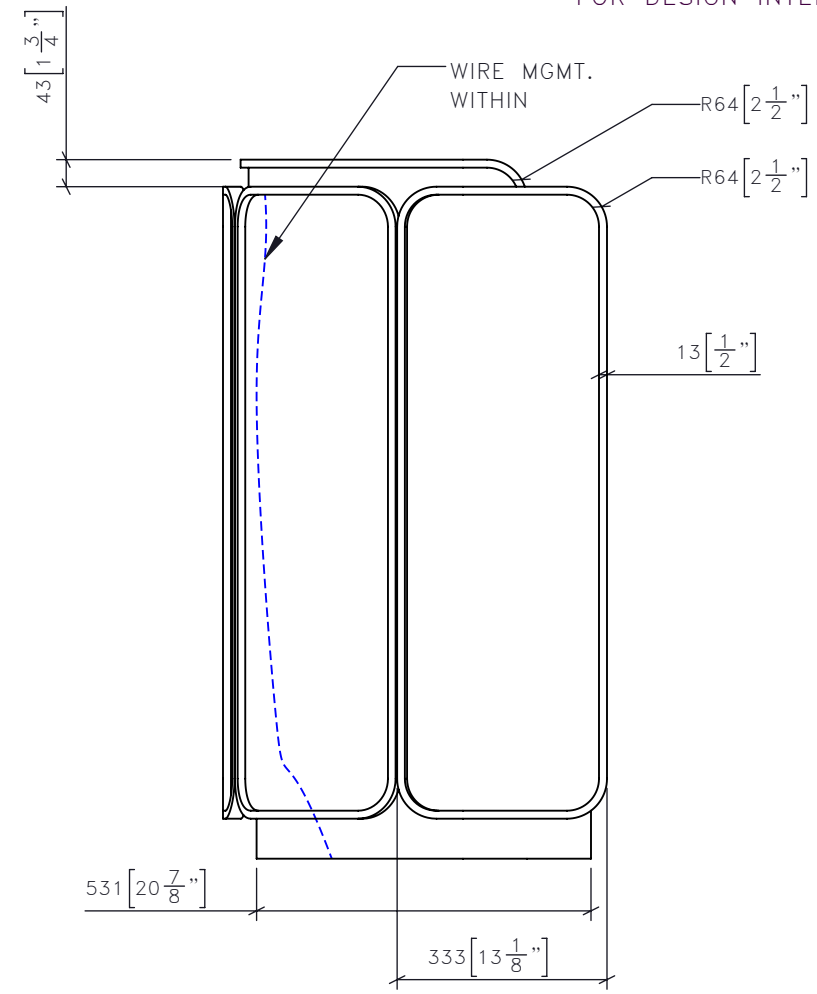


FOR DESIGN INTENT ONLY

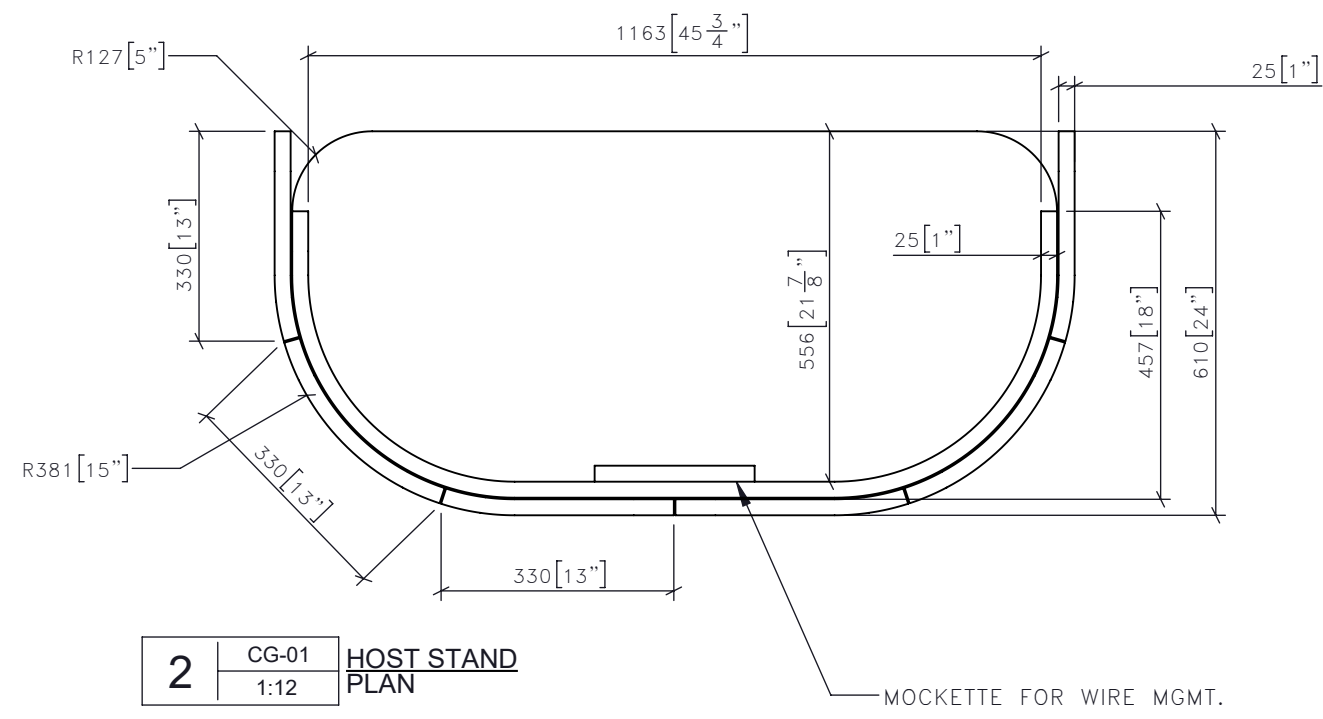
DRAWING ARE NOT TO BE SCALED. CONTRACTOR MUST CHECK AND VERIFY ALL JOB DIMENSIONS, DRAWINGS, DETAILS AND SPECIFICATIONS; AND REPORT ANY DISCREPANCIES TO DESIGNER BEFORE PROCEEDING WITH WORK.



**1** CG-01 HOST STAND FRONT ELEVATION  
1:12



**3** CG-01 HOST STAND SIDE ELEVATION  
1:12



**2** CG-01 HOST STAND PLAN  
1:12

<b>-SCALE</b> AS NOTED		<b>-DATE</b> 11/25/19
<b>-DRAWN BY</b> RC		<b>-CHECKED BY</b>
<b>-PROJECT NAME</b>  LA SOCIETE		
<b>-DRAWING TITLE</b>  CG-01 HOST STAND		
<b>-PROJECT NUMBER</b> 19134		
<b>-DRAWING NUMBER</b> 1 / 4		

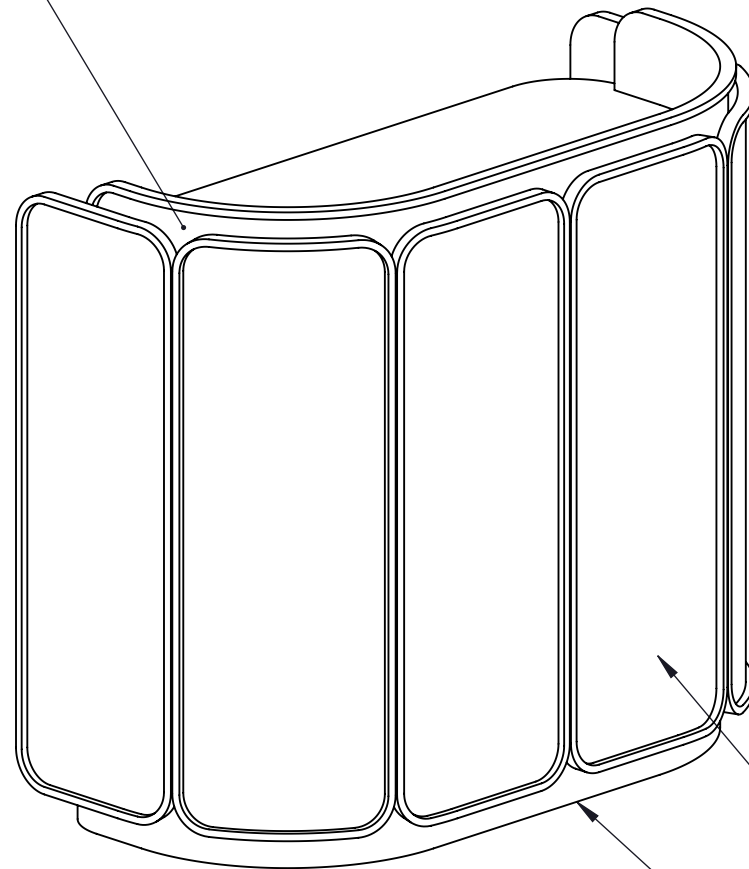
STUDIO MUNGE

FOR DESIGN INTENT ONLY

DRAWING ARE NOT TO BE SCALED. CONTRACTOR MUST CHECK AND VERIFY ALL JOB DIMENSIONS, DRAWINGS, DETAILS AND SPECIFICATIONS; AND REPORT ANY DISCREPANCIES TO DESIGNER BEFORE PROCEEDING WITH WORK.

-REV/	-ISSUED FOR	-DATE

METAL REVEAL  
FF-ML-01  
WITH WOOD SURROUND  
FF-WD-01



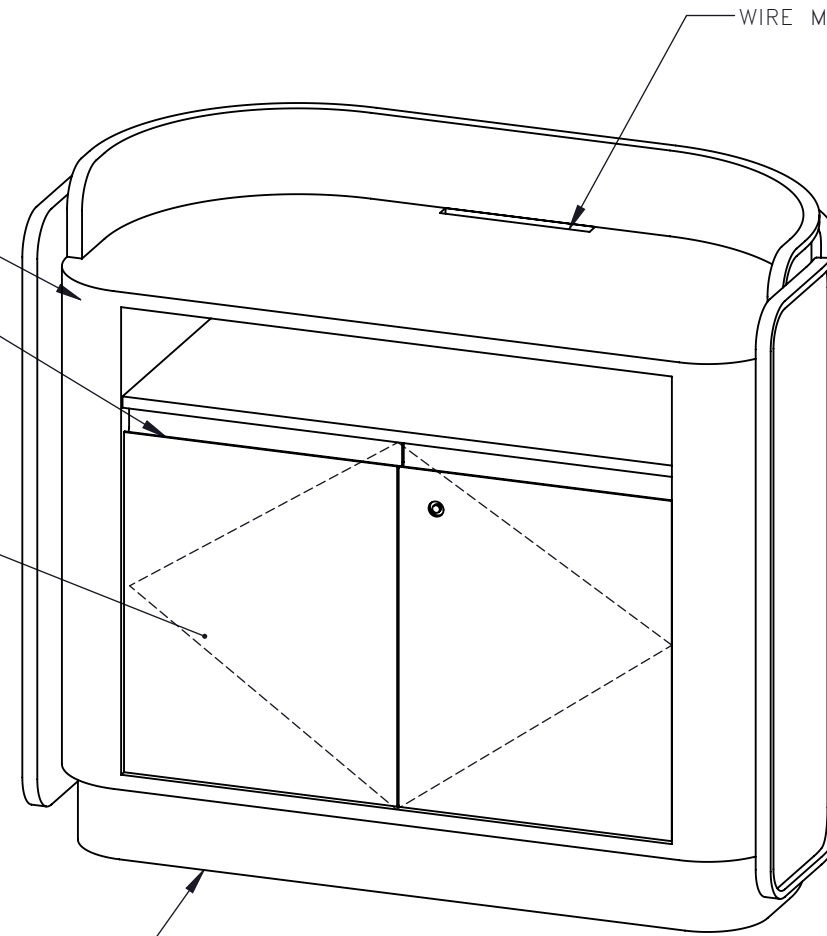
**4** | CG-01 | HOST STAND  
1:12 | ISOMETRIC FRONT

WOODEN CONSTRUCTION  
FF-WD-01

FINGER PULL

LOCKABLE DOORS  
WITH ADJUSTABLE SHELF  
WITHIN

ON SOFT CLOSE HINGES  
FF-WD-01



WIRE MGMT.

ADD LEVELERS AS NEEDED

**5** | CG-01 | HOST STAND  
1:12 | ISOMETRIC REAR

CANE RATTAN PANELS  
FF-SF-01

METAL KICK  
FF-ML-01

**STUDIO MUNGE**  
25 WINGOLD AVENUE  
TORONTO, ONTARIO  
M6B 1P8 CANADA  
416.588.1668  
STUDIOMUNGE.COM

-SCALE AS NOTED      -DATE 11/25/19

-DRAWN BY RC      -CHECKED BY

-PROJECT NAME

LA SOCIETE

-DRAWING TITLE

CG-01  
HOST STAND

-PROJECT NUMBER  
19134

-DRAWING NUMBER  
2 / 4

STUDIO MUNGE  
E  
F  
D  
C  
B  
A  
Y

1 2 3 4 5 6

FOR DESIGN INTENT ONLY

DRAWING ARE NOT TO BE SCALED. CONTRACTOR MUST CHECK AND VERIFY ALL JOB DIMENSIONS, DRAWINGS, DETAILS AND SPECIFICATIONS; AND REPORT ANY DISCREPANCIES TO DESIGNER BEFORE PROCEEDING WITH WORK.

-REV/	-ISSUED FOR	-DATE



**STUDIO  
MUNGE**  
25 WINGOLD AVENUE  
TORONTO, ONTARIO  
M6B 1P8 CANADA  
416.588.1668  
STUDIOMUNGE.COM

**-SCALE**  
AS NOTED

**-DATE**  
11/25/19

**-DRAWN BY**  
RC

**-CHECKED BY**

**-PROJECT NAME**  
  
LA SOCIETE

**-DRAWING TITLE**  
  
CG-01  
HOST STAND

**-PROJECT NUMBER**  
19134

**-DRAWING NUMBER**  
3 / 4

4	CG-01	HOST STAND
	1:12	RENDERED VIEW

1 2 3 4 5 6

STUDIO MUNGE  
E  
F  
D  
C  
B  
A  
Y

FOR DESIGN INTENT ONLY

DRAWING ARE NOT TO BE SCALED. CONTRACTOR MUST CHECK AND VERIFY ALL JOB DIMENSIONS, DRAWINGS, DETAILS AND SPECIFICATIONS; AND REPORT ANY DISCREPANCIES TO DESIGNER BEFORE PROCEEDING WITH WORK.

-REV/	-ISSUED FOR	-DATE



**STUDIO  
MUNGE** 25 WINGOLD AVENUE  
TORONTO, ONTARIO  
M6B 1P8 CANADA  
416.588.1668  
STUDIOMUNGE.COM

**-SCALE** AS NOTED **-DATE** 11/25/19

**-DRAWN BY** RC **-CHECKED BY**

**-PROJECT NAME**

LA SOCIETE

**-DRAWING TITLE**

CG-01  
HOST STAND

**-PROJECT NUMBER**  
19134

**-DRAWING NUMBER**  
4 / 4

4	CG-01	HOST STAND
	1:12	RENDERED VIEW