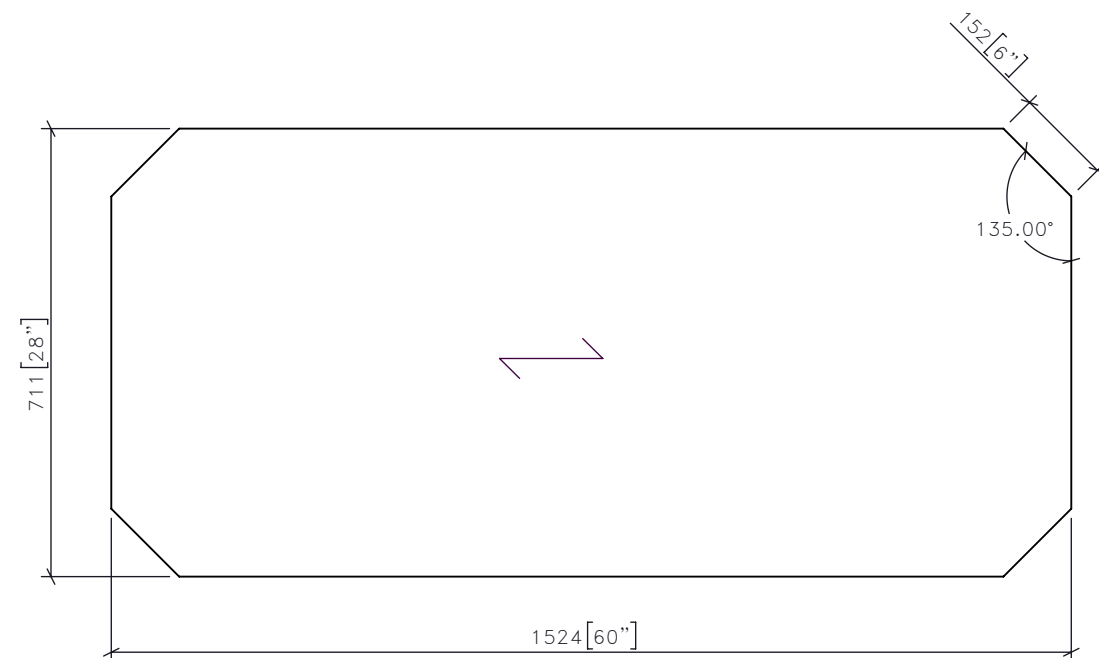


**1** | CG-12 | COUNTER TOP TABLE  
1:12 | FRONT ELEVATION

**3** | CG-12 | COUNTER TOP TABLE  
1:12 | SIDE ELEVATION



**2** | CG-12 | COUNTER TOP TABLE  
1:12 | PLAN

**-SCALE**  
AS NOTED

**-DATE**  
11/21/19

**-DRAWN BY**  
RC

**-CHECKED BY**

**-PROJECT NAME**

LA SOCIETE

**-DRAWING TITLE**

CG-12  
COUNTER TOP TABLE

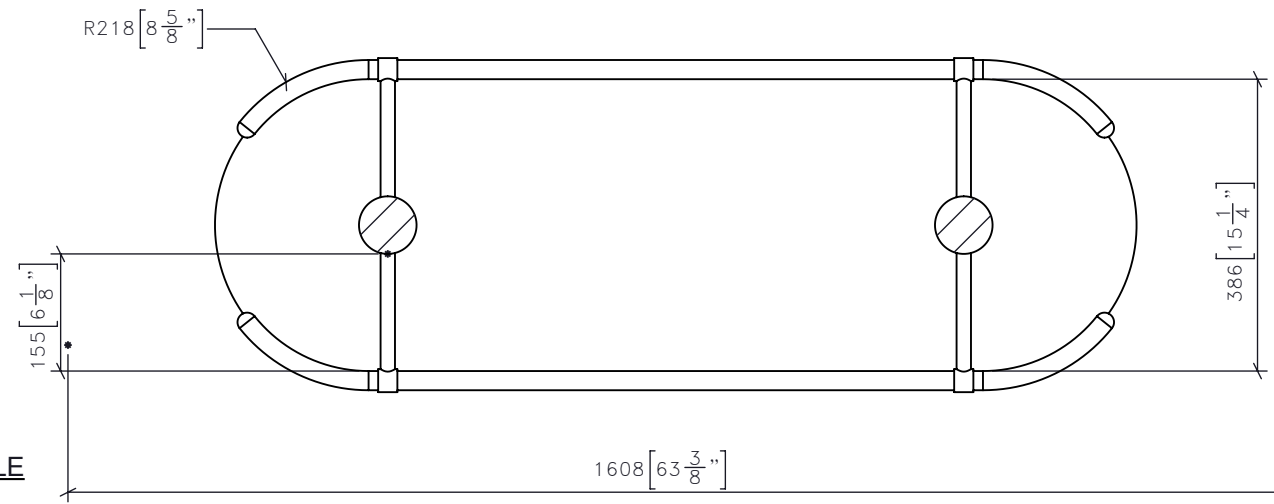
**-PROJECT NUMBER**  
19134

**-DRAWING NUMBER**  
1 / 3

STUDIO MUNGE

FOR DESIGN INTENT ONLY

DRAWING ARE NOT TO BE SCALED. CONTRACTOR MUST CHECK AND VERIFY ALL JOB DIMENSIONS, DRAWINGS, DETAILS AND SPECIFICATIONS; AND REPORT ANY DISCREPANCIES TO DESIGNER BEFORE PROCEEDING WITH WORK.



-REV/	-ISSUED FOR	-DATE

**4** CG-12  
1:10 COUNTER TOP TABLE  
SECTION H-H

SOLID HARDWOOD  
TABLE TOP  
FF-WD-01

5-6" WIDE PLANKS  
SPACED EQUALLY

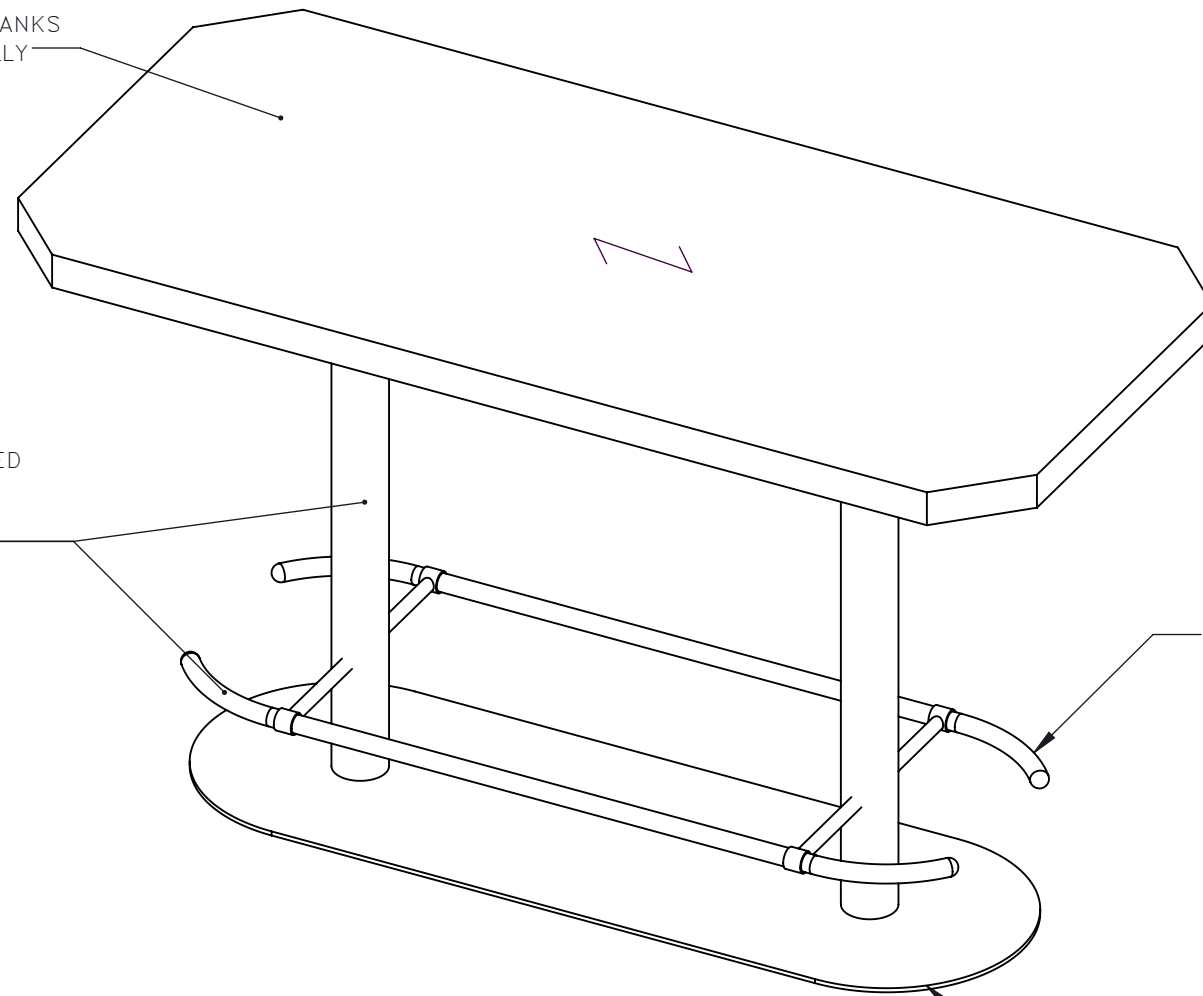
POWDER COATED  
METAL

FF-ML-01

FOOT RAIL

POWDER COATED  
METAL BASE  
FF-ML-01

ADD LEVELS AS REQUIRED



**STUDIO  
MUNGE**  
25 WINGOLD AVENUE  
TORONTO, ONTARIO  
M6B 1P8 CANADA  
416.588.1668  
STUDIOMUNGE.COM

-SCALE AS NOTED -DATE 11/21/19

-DRAWN BY RC -CHECKED BY

-PROJECT NAME

LA SOCIETE

-DRAWING TITLE

CG-12  
COUNTER TOP TABLE

-PROJECT NUMBER  
19134

-DRAWING NUMBER  
2 / 3

**5** CG-12  
1:10 COUNTER TOP TABLE  
ISOMETRIC FRONT

STUDIO MUNGE  
E  
F  
D  
C  
B  
A  
Y

FOR DESIGN INTENT ONLY

DRAWING ARE NOT TO BE SCALED. CONTRACTOR MUST CHECK AND VERIFY ALL JOB DIMENSIONS, DRAWINGS, DETAILS AND SPECIFICATIONS; AND REPORT ANY DISCREPANCIES TO DESIGNER BEFORE PROCEEDING WITH WORK.

-REV/	-ISSUED FOR	-DATE



**STUDIO  
MUNGE**  
25 WINGOLD AVENUE  
TORONTO, ONTARIO  
M6B 1P8 CANADA  
416.588.1668  
STUDIOMUNGE.COM

**-SCALE**  
AS NOTED

**-DATE**  
11/21/19

**-DRAWN BY**  
RC

**-CHECKED BY**

**-PROJECT NAME**  
  
LA SOCIETE

**-DRAWING TITLE**  
  
CG-12  
COUNTER TOP TABLE

**-PROJECT NUMBER**  
19134

**-DRAWING NUMBER**  
3 / 3

4	CG-12	COUNTER TOP TABLE RENDERED VIEW
	1:10	