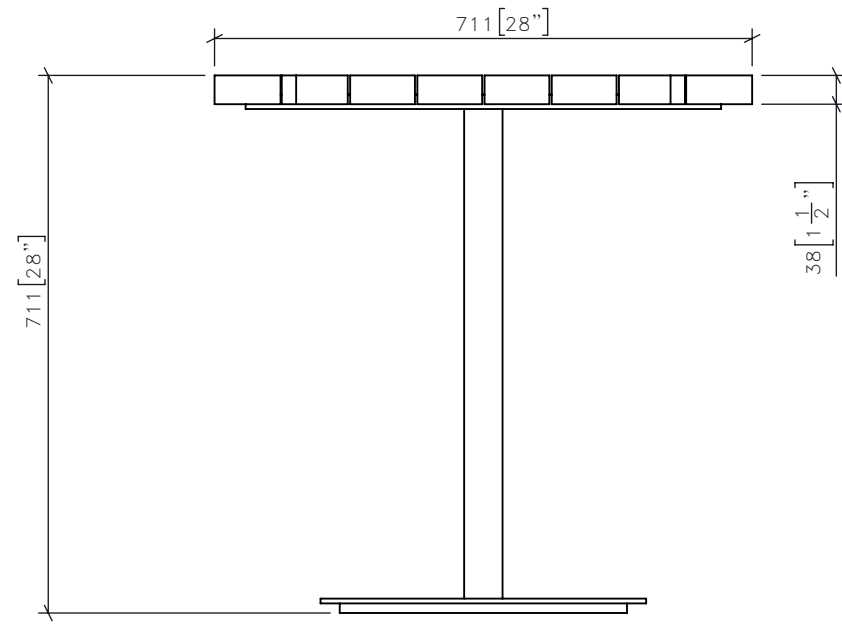
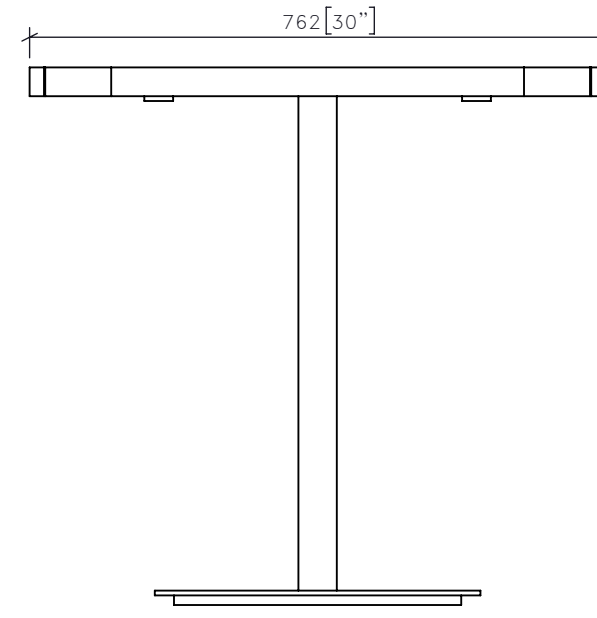


FOR DESIGN INTENT ONLY

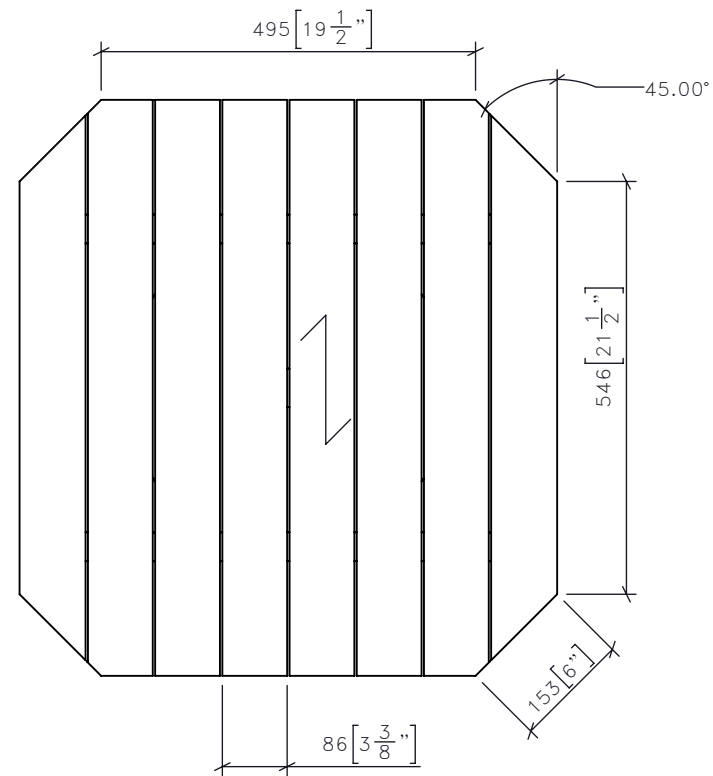
DRAWING ARE NOT TO BE SCALED. CONTRACTOR MUST CHECK AND VERIFY ALL JOB DIMENSIONS, DRAWINGS, DETAILS AND SPECIFICATIONS; AND REPORT ANY DISCREPANCIES TO DESIGNER BEFORE PROCEEDING WITH WORK.



1 | CG-19 | LOUNGE DINING TABLE
1:10 | FRONT ELEVATION



3 | CG-19 | LOUNGE DINING TABLE
1:10 | SIDE ELEVATION



2 | CG-19 | LOUNGE DINING TABLE
1:10 | PLAN

-REV/	-ISSUED FOR	-DATE

STUDIO MUNGE
25 WINGOLD AVENUE
TORONTO, ONTARIO
M6B 1P8 CANADA
416.588.1668
STUDIOMUNGE.COM

-SCALE AS NOTED
-DATE 12/2/19

-DRAWN BY RC
-CHECKED BY

-PROJECT NAME

LA SOCIETE

-DRAWING TITLE

CG-19
LOUNGE DINING TABLE

-PROJECT NUMBER
19134

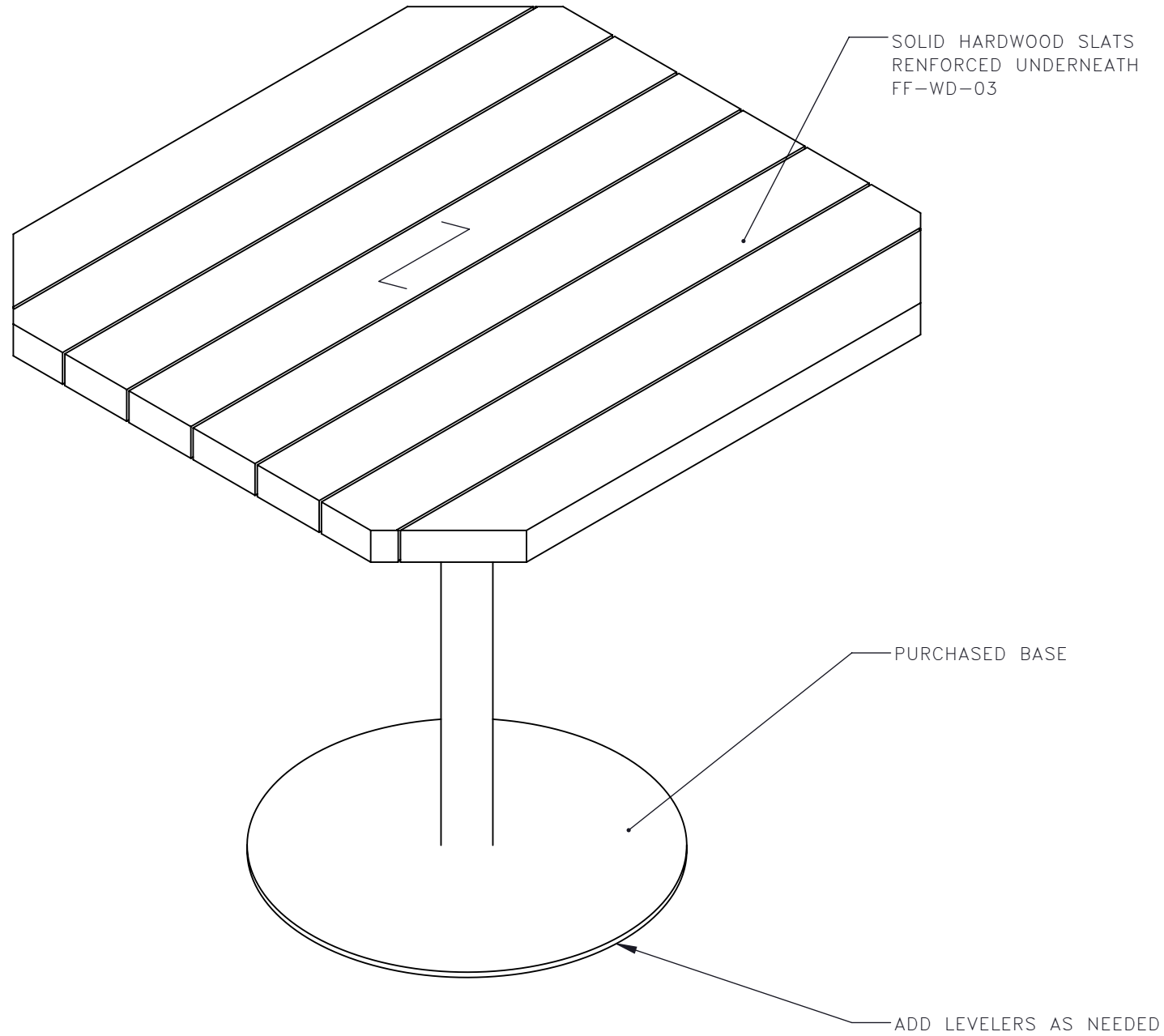
-DRAWING NUMBER
1 / 3

STUDIO MUNGE
E
D
C
B
A
Y

FOR DESIGN INTENT ONLY

DRAWING ARE NOT TO BE SCALED. CONTRACTOR MUST CHECK AND VERIFY ALL JOB DIMENSIONS, DRAWINGS, DETAILS AND SPECIFICATIONS; AND REPORT ANY DISCREPANCIES TO DESIGNER BEFORE PROCEEDING WITH WORK.

-REV/	-ISSUED FOR	-DATE



**STUDIO
MUNGE**
25 WINGOLD AVENUE
TORONTO, ONTARIO
M6B 1P8 CANADA
416.588.1668
STUDIOMUNGE.COM

-SCALE
AS NOTED

-DATE
12/2/19

-DRAWN BY
RC

-CHECKED BY

-PROJECT NAME

LA SOCIETE

-DRAWING TITLE

CG-19
LOUNGE DINING TABLE

-PROJECT NUMBER
19134

-DRAWING NUMBER
2 / 3

4 | CG-19 | LOUNGE DINING TABLE
1:6 | ISOMETRIC FRONT

STUDIO MUNGE
E
F
D
C
B
A
Y

FOR DESIGN INTENT ONLY

DRAWING ARE NOT TO BE SCALED. CONTRACTOR MUST CHECK AND VERIFY ALL JOB DIMENSIONS, DRAWINGS, DETAILS AND SPECIFICATIONS; AND REPORT ANY DISCREPANCIES TO DESIGNER BEFORE PROCEEDING WITH WORK.



4	CG-19	LOUNGE DINING TABLE RENDERED VIEW
	1:6	

-REV/	-ISSUED FOR	-DATE

**STUDIO
MUNGE**
25 WINGOLD AVENUE
TORONTO, ONTARIO
M6B 1P8 CANADA
416.588.1668
STUDIOMUNGE.COM

-SCALE AS NOTED	-DATE 12/2/19
---------------------------	-------------------------

-DRAWN BY RC	-CHECKED BY
------------------------	--------------------

-PROJECT NAME

LA SOCIETE

-DRAWING TITLE

CG-19
LOUNGE DINING TABLE

-PROJECT NUMBER 19134

-DRAWING NUMBER 3 / 3
