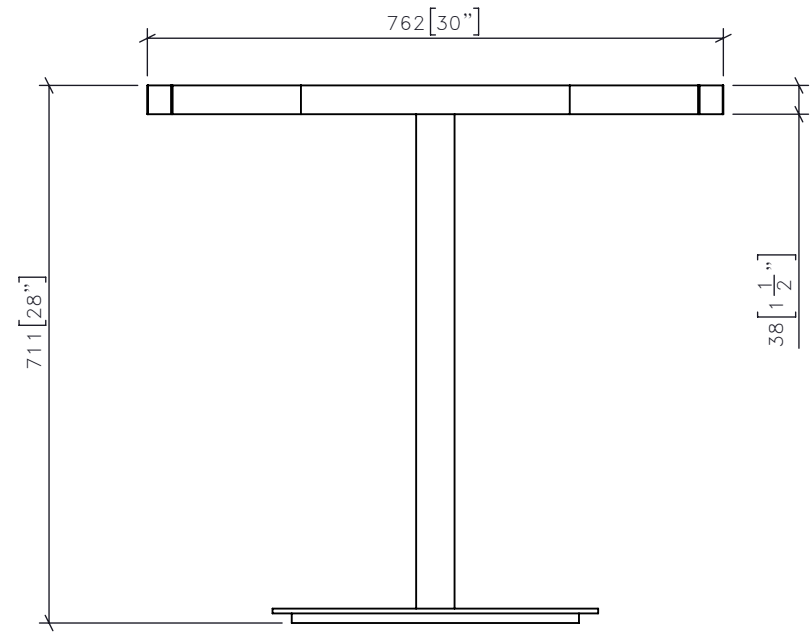
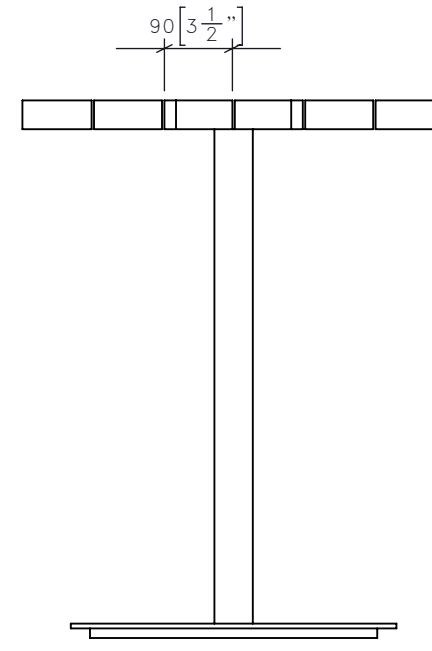


FOR DESIGN INTENT ONLY

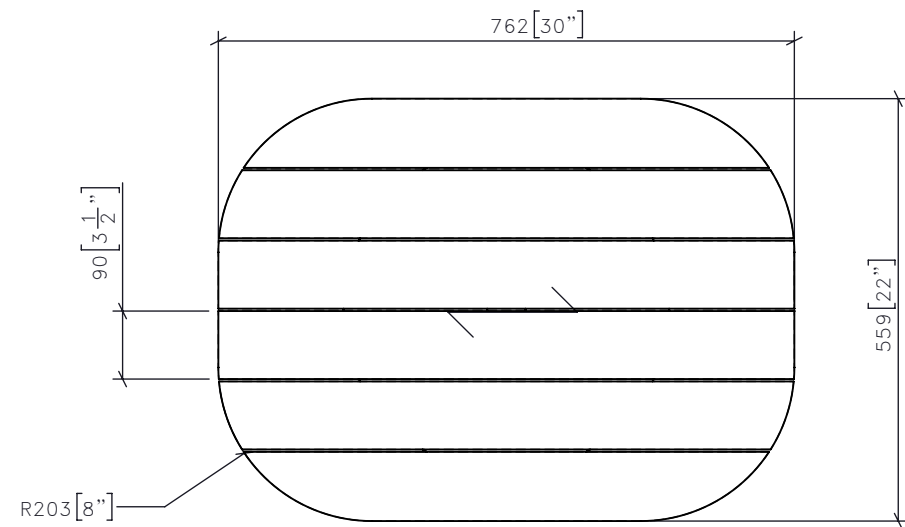
DRAWING ARE NOT TO BE SCALED. CONTRACTOR MUST CHECK AND VERIFY ALL JOB DIMENSIONS, DRAWINGS, DETAILS AND SPECIFICATIONS; AND REPORT ANY DISCREPANCIES TO DESIGNER BEFORE PROCEEDING WITH WORK.



1 | CG-20 | LOUNGE DINING TABLE
1:10 | FRONT ELEVATION



3 | CG-20 | LOUNGE DINING TABLE
1:10 | SIDE ELEVATION



2 | CG-20 | LOUNGE DINING TABLE
1:10 | PLAN

-REV/	-ISSUED FOR	-DATE

STUDIO MUNGE
25 WINGOLD AVENUE
TORONTO, ONTARIO
M6B 1P8 CANADA
416.588.1668
STUDIOMUNGE.COM

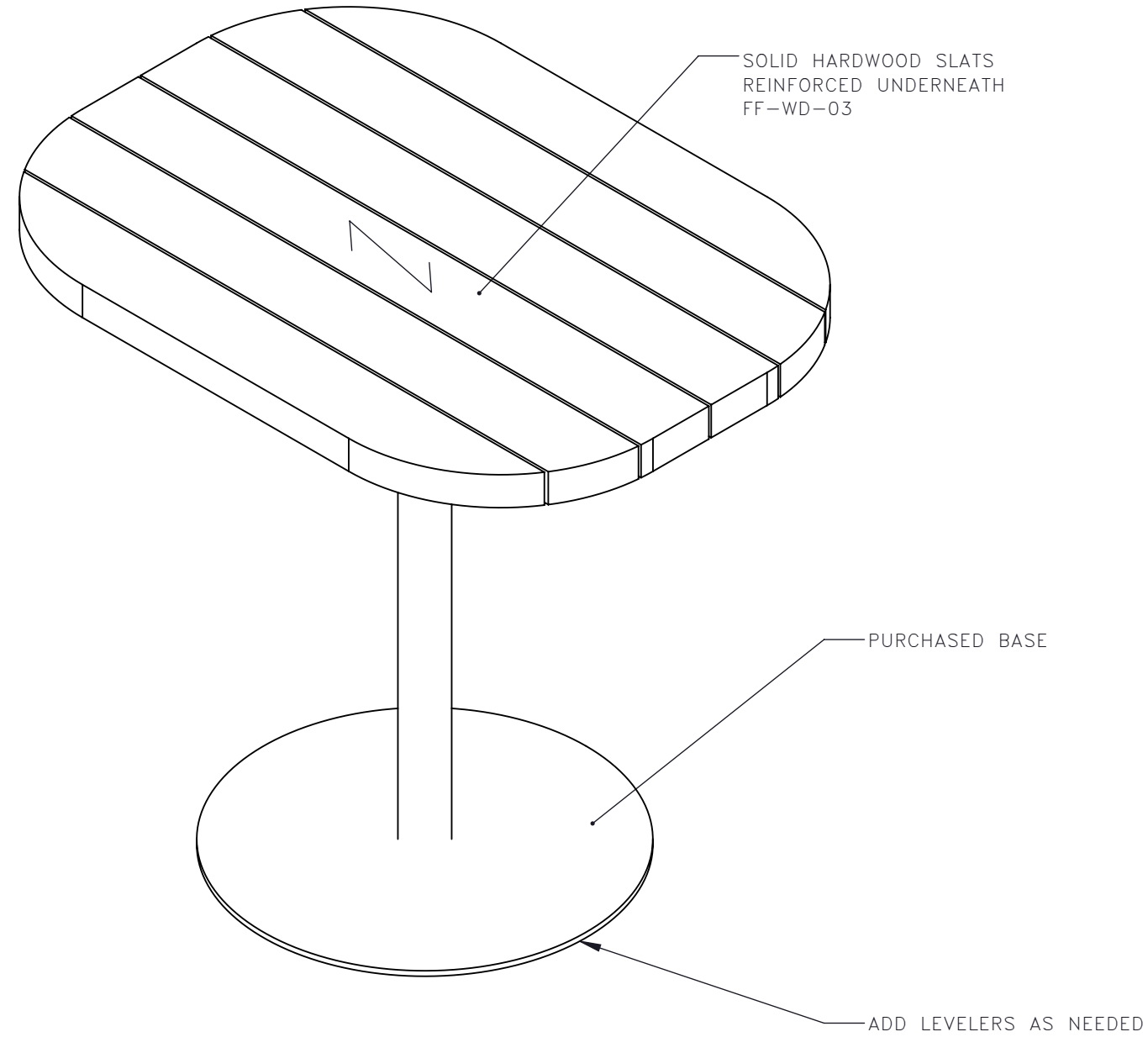
-SCALE	AS NOTED	-DATE	12/2/19
-DRAWN BY	RC	-CHECKED BY	
-PROJECT NAME	LA SOCIETE		
-DRAWING TITLE	CG-20 LOUNGE DINING TABLE		
-PROJECT NUMBER	19134		
-DRAWING NUMBER	1 / 3		

STUDIO MUNGE
E
D
C
B
A
Y

FOR DESIGN INTENT ONLY

DRAWING ARE NOT TO BE SCALED. CONTRACTOR MUST CHECK AND VERIFY ALL JOB DIMENSIONS, DRAWINGS, DETAILS AND SPECIFICATIONS; AND REPORT ANY DISCREPANCIES TO DESIGNER BEFORE PROCEEDING WITH WORK.

-REV/	-ISSUED FOR	-DATE



**STUDIO
MUNGE**
25 WINGOLD AVENUE
TORONTO, ONTARIO
M6B 1P8 CANADA
416.588.1668
STUDIOMUNGE.COM

-SCALE
AS NOTED

-DATE
12/2/19

-DRAWN BY
RC

-CHECKED BY

-PROJECT NAME

LA SOCIETE

-DRAWING TITLE

CG-20
LOUNGE DINING TABLE

-PROJECT NUMBER
19134

-DRAWING NUMBER
2 / 3

4	CG-20	LOUNGE DINING TABLE ISOMETRIC FRONT
	1:6	

STUDIO MUNGE
E
F
D
C
B
A
Y

1 2 3 4 5 6

FOR DESIGN INTENT ONLY

DRAWING ARE NOT TO BE SCALED. CONTRACTOR MUST CHECK AND VERIFY ALL JOB DIMENSIONS, DRAWINGS, DETAILS AND SPECIFICATIONS; AND REPORT ANY DISCREPANCIES TO DESIGNER BEFORE PROCEEDING WITH WORK.



-REV/	-ISSUED FOR	-DATE

STUDIO MUNGE
25 WINGOLD AVENUE
TORONTO, ONTARIO
M6B 1P8 CANADA
416.588.1668
STUDIOMUNGE.COM

-SCALE AS NOTED	-DATE 12/2/19
-DRAWN BY RC	-CHECKED BY
-PROJECT NAME LA SOCIETE	
-DRAWING TITLE CG-20 LOUNGE DINING TABLE	
-PROJECT NUMBER 19134	
-DRAWING NUMBER 3 / 3	

4 | CG-20 | LOUNGE DINING TABLE
1:6 | RENDERED VIEW

1 2 3 4 5 6