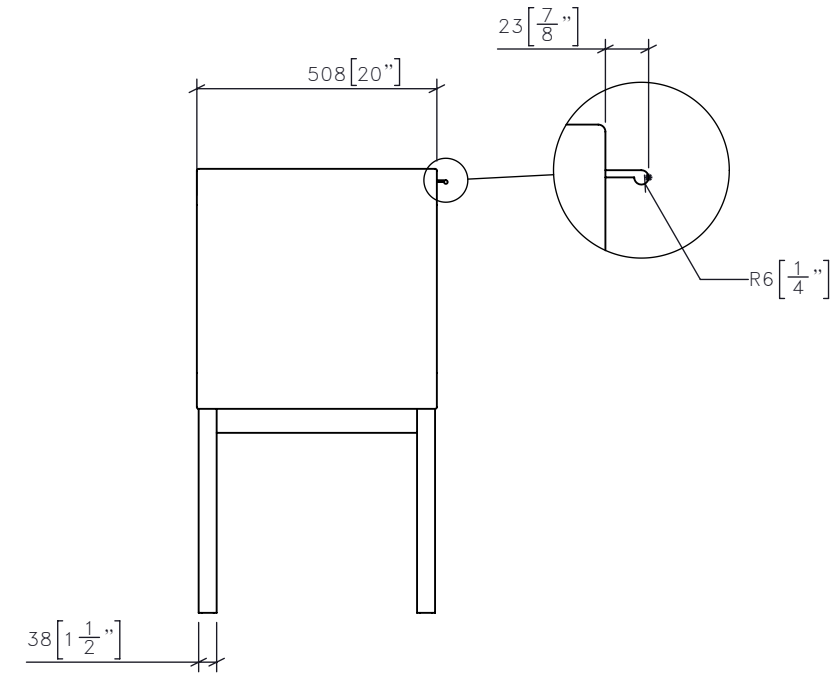
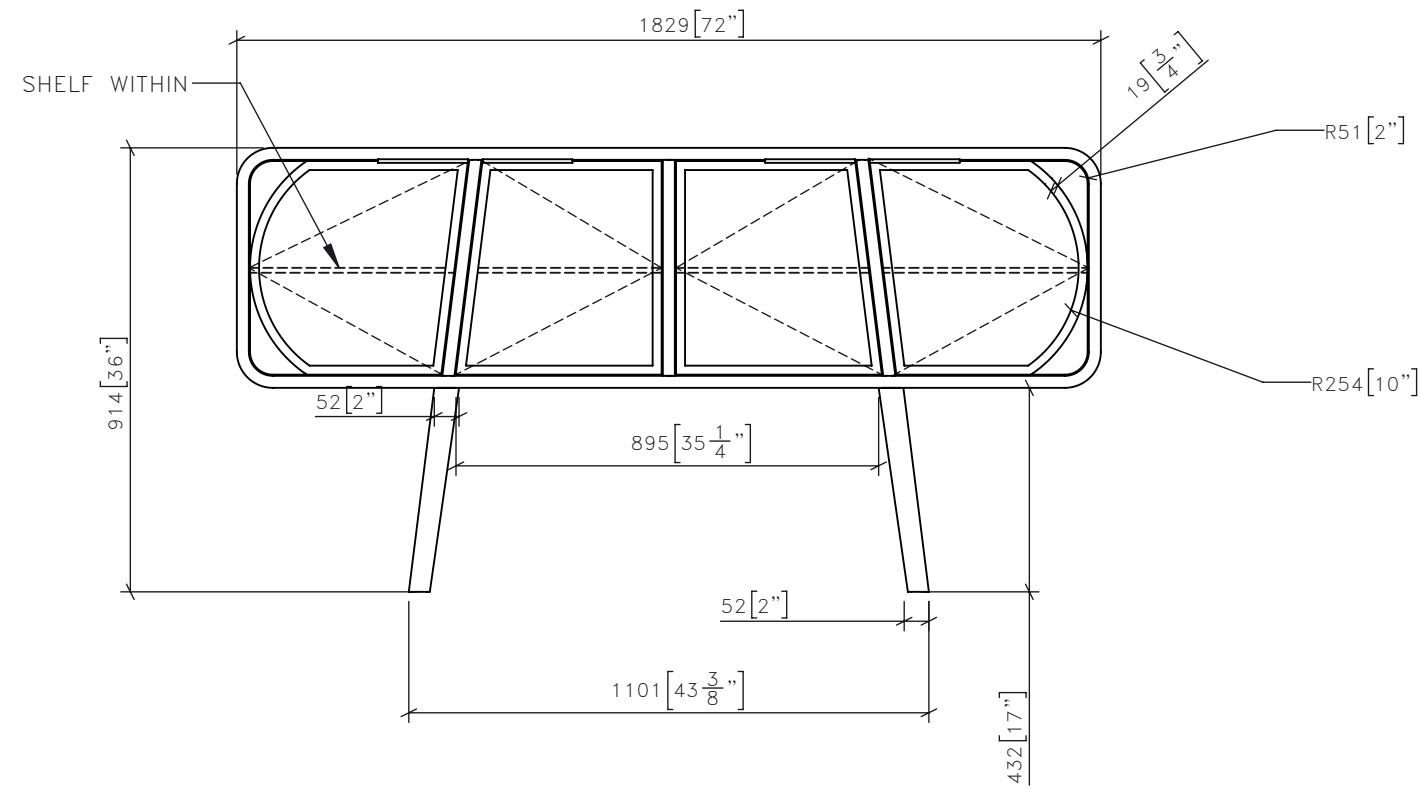


STUDIO MUNGE

FOR DESIGN INTENT ONLY

DRAWING ARE NOT TO BE SCALED. CONTRACTOR MUST CHECK AND VERIFY ALL JOB DIMENSIONS, DRAWINGS, DETAILS AND SPECIFICATIONS; AND REPORT ANY DISCREPANCIES TO DESIGNER BEFORE PROCEEDING WITH WORK.

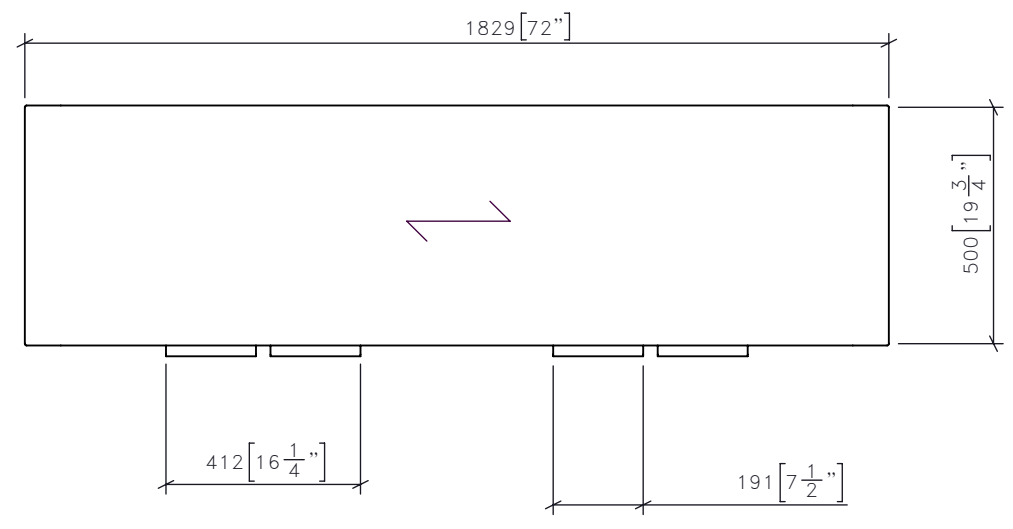


-REV/	-ISSUED FOR	-DATE

STUDIO MUNGE
 25 WINGOLD AVENUE
 TORONTO, ONTARIO
 M6B 1P8 CANADA
 416.588.1668
 STUDIOMUNGE.COM

1 CG-17 OFFERING TABLE FRONT ELEVATION
 1:16

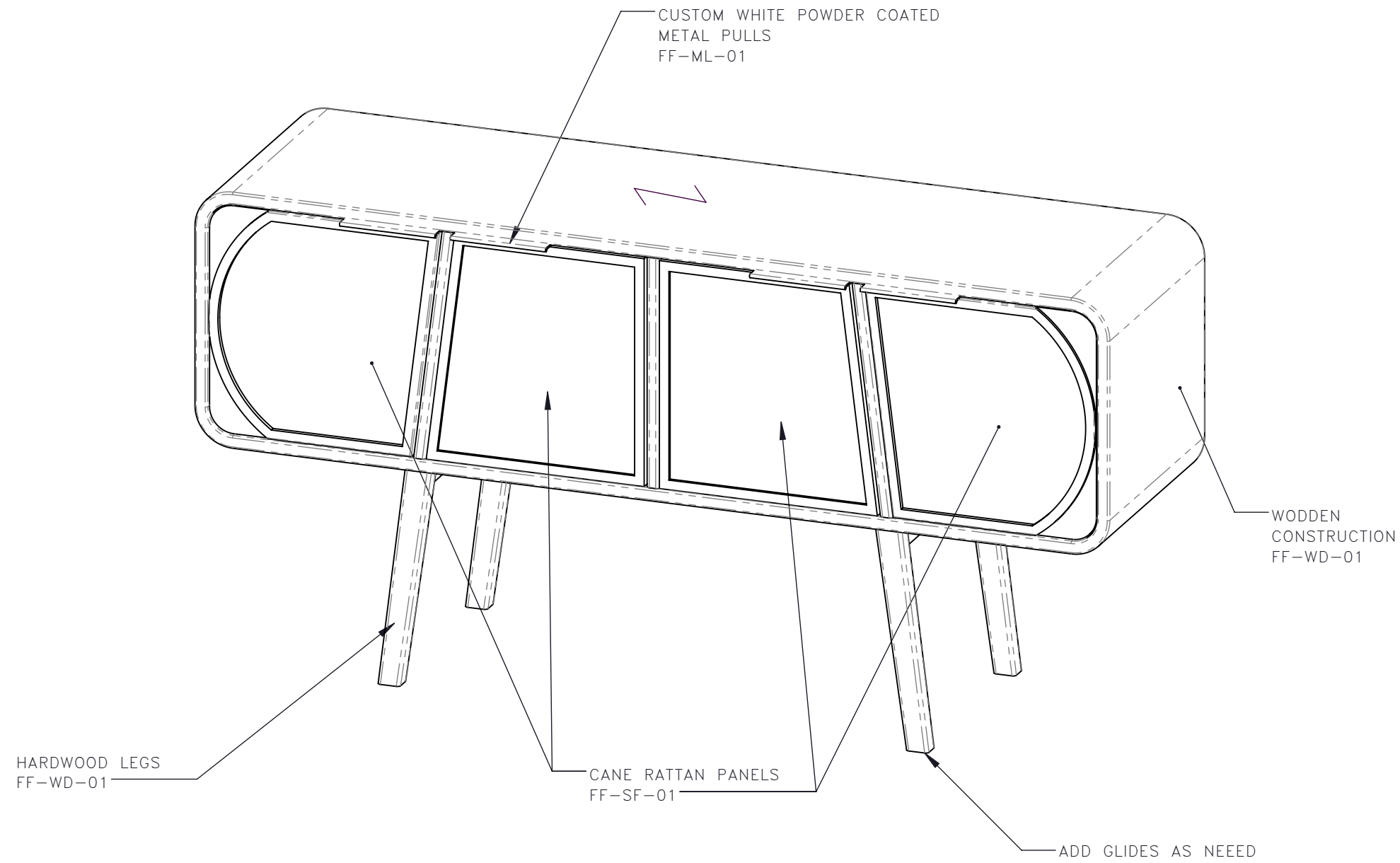
3 CG-17 OFFERING TABLE SIDE ELEVATION
 1:16



2 CG-17 OFFERING TABLE PLAN
 1:16

-SCALE AS NOTED	-DATE 11/20/19
-DRAWN BY RC	-CHECKED BY
-PROJECT NAME LA SOCIETE	
-DRAWING TITLE CG-17 OFFERING TABLE	
-PROJECT NUMBER 19134	
-DRAWING NUMBER 1 / 3	

-REV/	-ISSUED FOR	-DATE



STUDIO MUNGE
 25 WINGOLD AVENUE
 TORONTO, ONTARIO
 M6B 1P8 CANADA
 416.588.1668
 STUDIOMUNGE.COM

-SCALE
AS NOTED

-DATE
11/20/19

-DRAWN BY
RC

-CHECKED BY

-PROJECT NAME

LA SOCIETE

-DRAWING TITLE

CG-17
OFFERING TABLE

-PROJECT NUMBER
19134

-DRAWING NUMBER
2 / 3

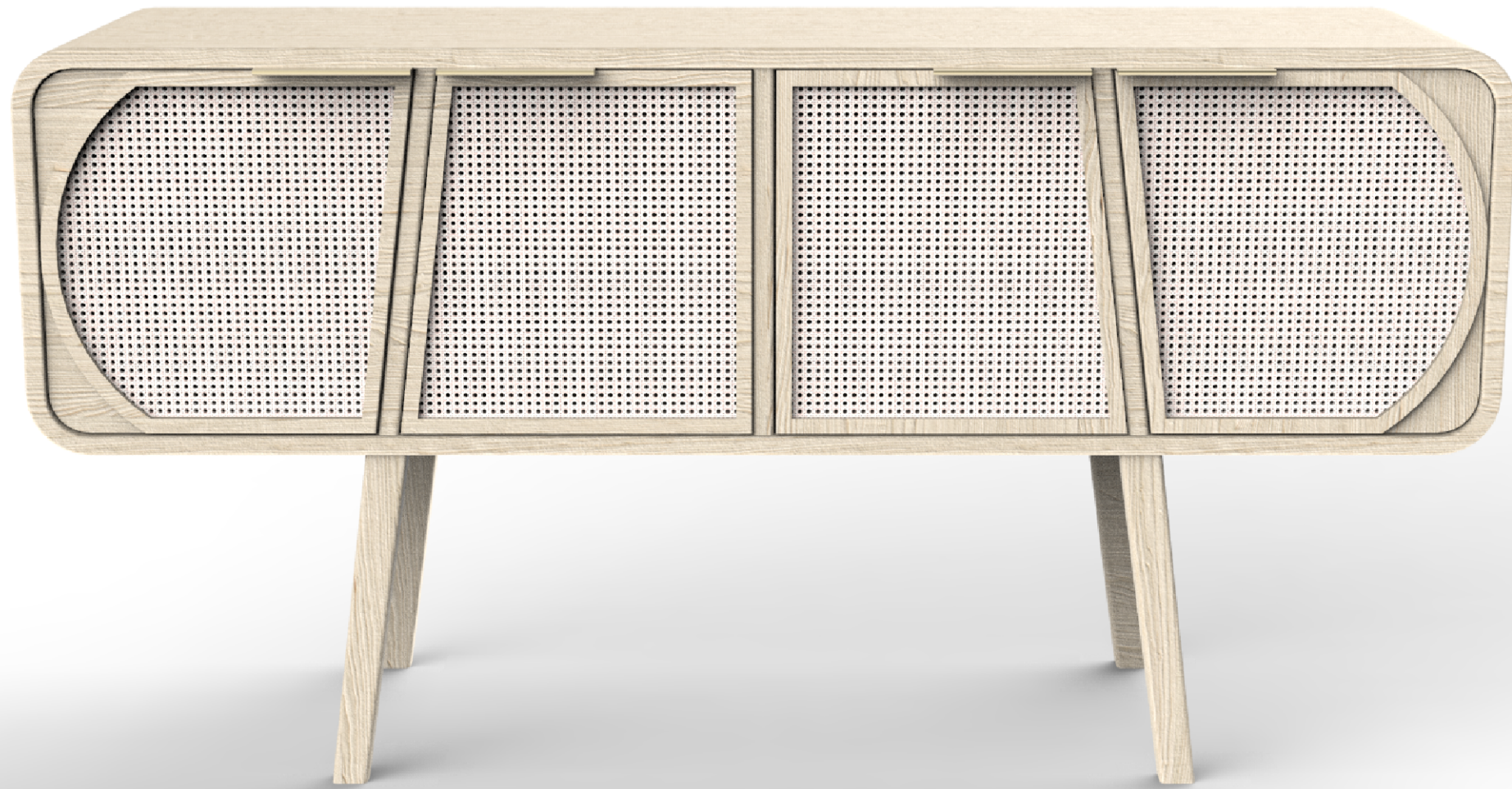
4 | CG-17 | OFFERING TABLE
1:10 | ISOMETRIC FRONT

STUDIO MUNGE
E
F
D
C
B
A

FOR DESIGN INTENT ONLY

DRAWING ARE NOT TO BE SCALED. CONTRACTOR MUST CHECK AND VERIFY ALL JOB DIMENSIONS, DRAWINGS, DETAILS AND SPECIFICATIONS; AND REPORT ANY DISCREPANCIES TO DESIGNER BEFORE PROCEEDING WITH WORK.

-REV/	-ISSUED FOR	-DATE



**STUDIO
MUNGE**
25 WINGOLD AVENUE
TORONTO, ONTARIO
M6B 1P8 CANADA
416.588.1668
STUDIOMUNGE.COM

-SCALE
AS NOTED

-DATE
11/20/19

-DRAWN BY
RC

-CHECKED BY

-PROJECT NAME

LA SOCIETE

-DRAWING TITLE

CG-17
OFFERING TABLE

-PROJECT NUMBER
19134

-DRAWING NUMBER
3 / 3

4 | CG-17 | OFFERING TABLE
1:10 | Drawing View2