

STUDIO MUNGE

DRAWING ARE NOT TO BE SCALED. CONTRACTOR MUST CHECK AND VERIFY ALL JOB DIMENSIONS, DRAWINGS, DETAILS AND SPECIFICATIONS; AND REPORT ANY DISCREPANCIES TO DESIGNER BEFORE PROCEEDING WITH WORK.

-REV/	-ISSUED FOR	-DATE

STUDIO MUNGE
 25 WINGOLD AVENUE
 TORONTO, ONTARIO
 M6B 1P8 CANADA
 416.588.1668
 STUDIOMUNGE.COM

-SCALE
AS NOTED

-DATE
10/13/20

-DRAWN BY
EP

-CHECKED BY

-PROJECT NAME

LA SOCIETE

-DRAWING TITLE

CG-XX
ARMOIRE

-PROJECT NUMBER
19134

-DRAWING NUMBER
2 / 4

RATTAN PANELS.
PAINTED IN WHITE
FINISH TO MATCH
PIECES ON SITE

RATTAN PANELS.
PAINTED IN WHITE
FINISH TO
MATCH PIECES ON SITE

METAL HANDLES.
PAINTED IN WHITE
FINISH TO MATCH
PIECES ON SITE

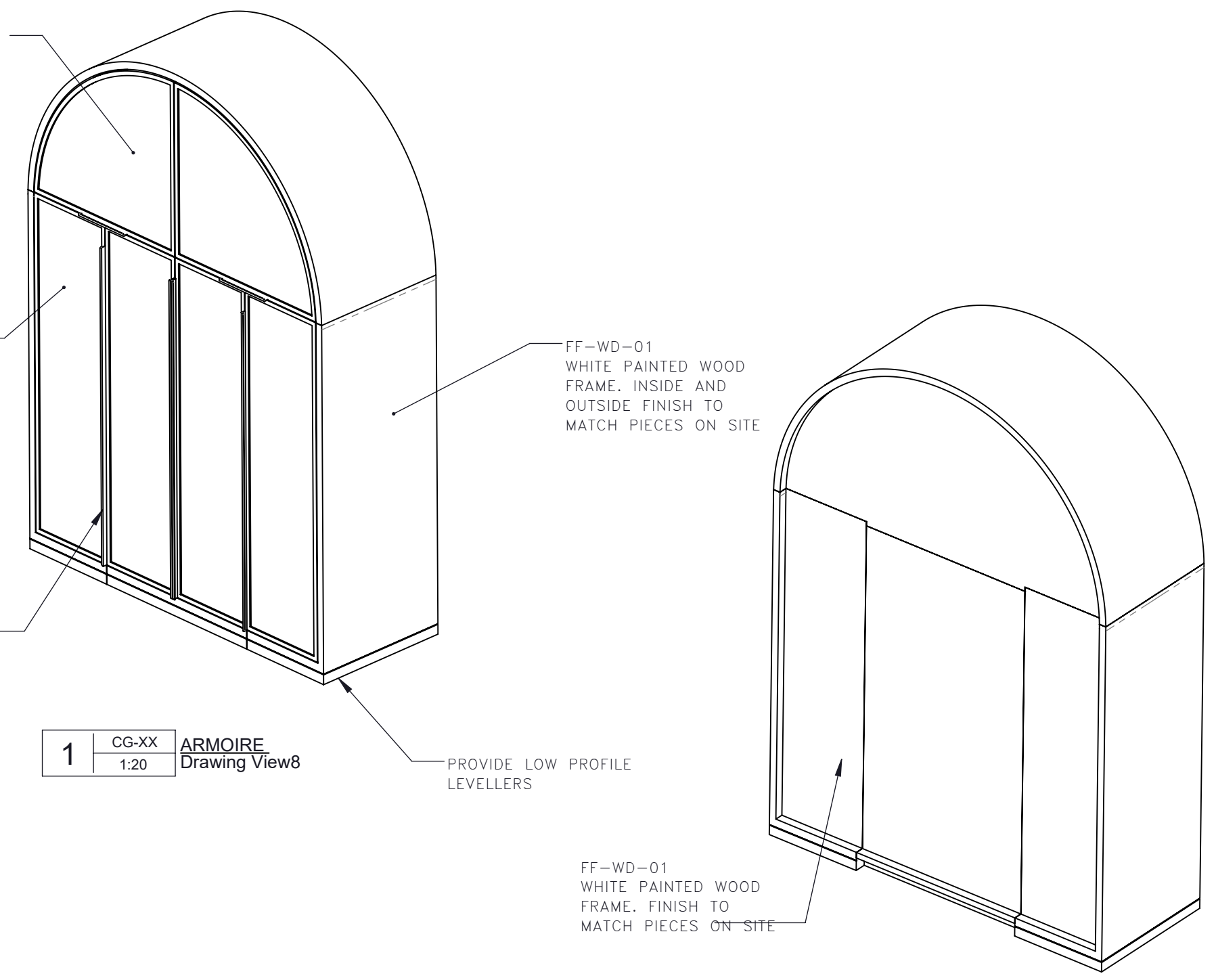
FF-WD-01
WHITE PAINTED WOOD
FRAME. INSIDE AND
OUTSIDE FINISH TO
MATCH PIECES ON SITE

PROVIDE LOW PROFILE
LEVELLERS

FF-WD-01
WHITE PAINTED WOOD
FRAME. FINISH TO
MATCH PIECES ON SITE

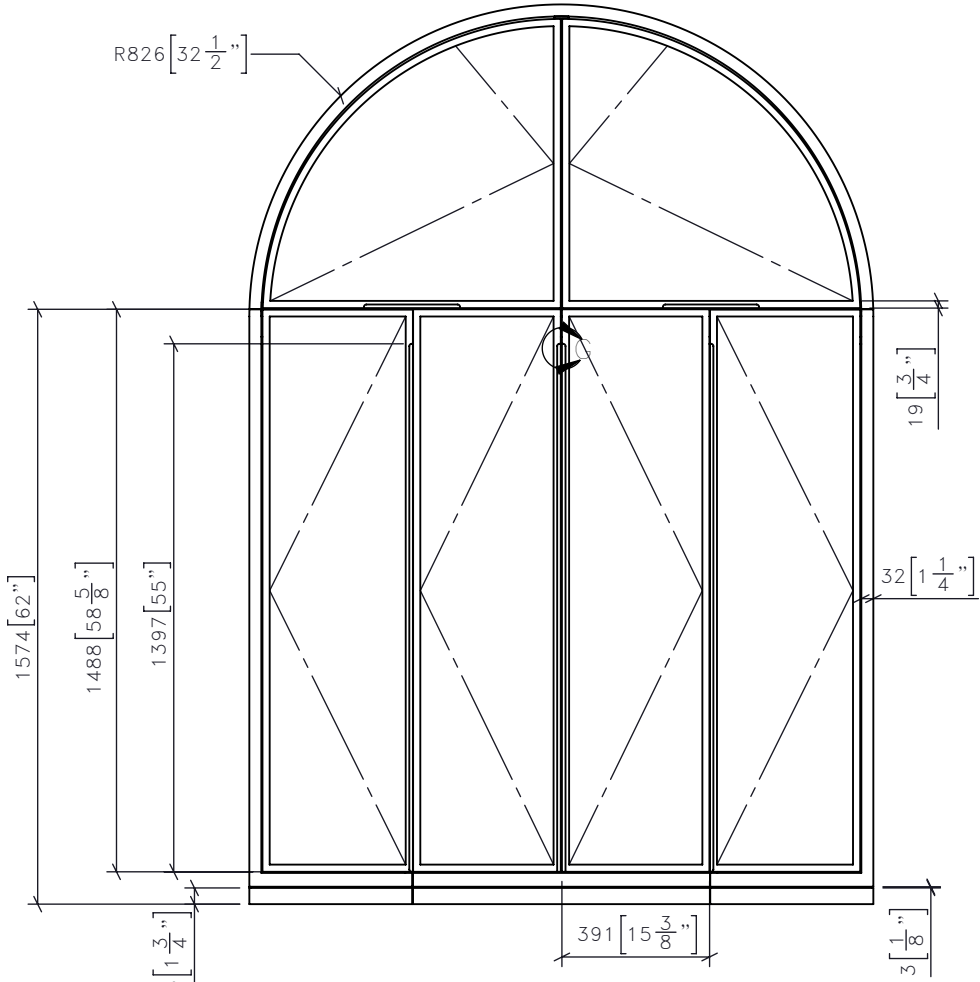
1 CG-XX ARMOIRE
1:20 Drawing View8

2 CG-XX ARMOIRE
1:20 Drawing View9

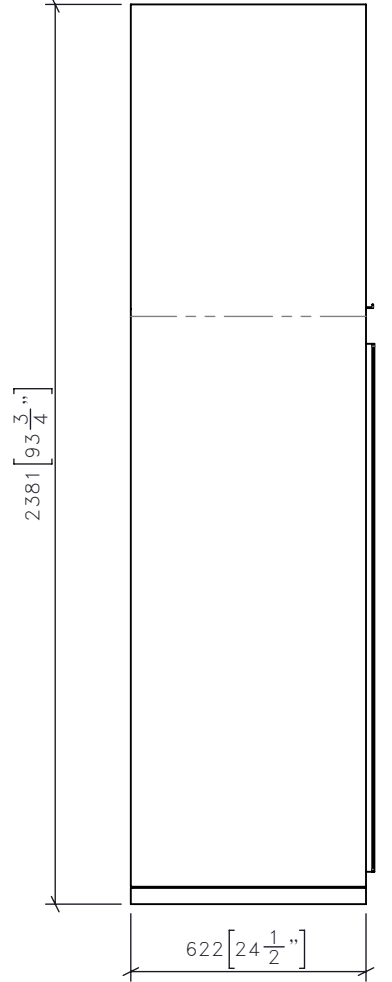


DRAWING ARE NOT TO BE SCALED. CONTRACTOR MUST CHECK AND VERIFY ALL JOB DIMENSIONS, DRAWINGS, DETAILS AND SPECIFICATIONS; AND REPORT ANY DISCREPANCIES TO DESIGNER BEFORE PROCEEDING WITH WORK.

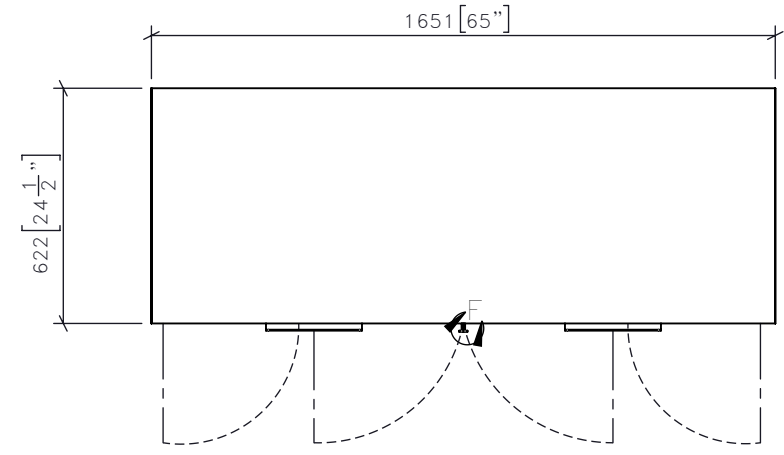
-REV/	-ISSUED FOR	-DATE



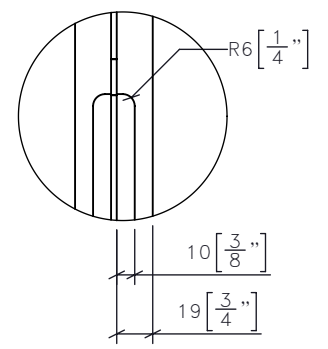
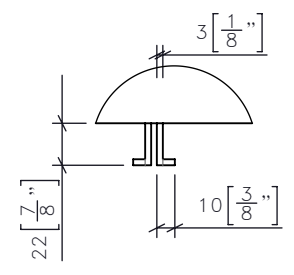
3 CG-XX ARMOIRE FRONT ELEVATION
1:20



5 CG-XX ARMOIRE SIDE ELEVATION
1:20



4 CG-XX ARMOIRE PLAN
1:20



STUDIO MUNGE
25 WINGOLD AVENUE
TORONTO, ONTARIO
M6B 1P8 CANADA
416.588.1668
STUDIOMUNGE.COM

-SCALE
AS NOTED

-DATE
10/13/20

-DRAWN BY
EP

-CHECKED BY

-PROJECT NAME

LA SOCIETE

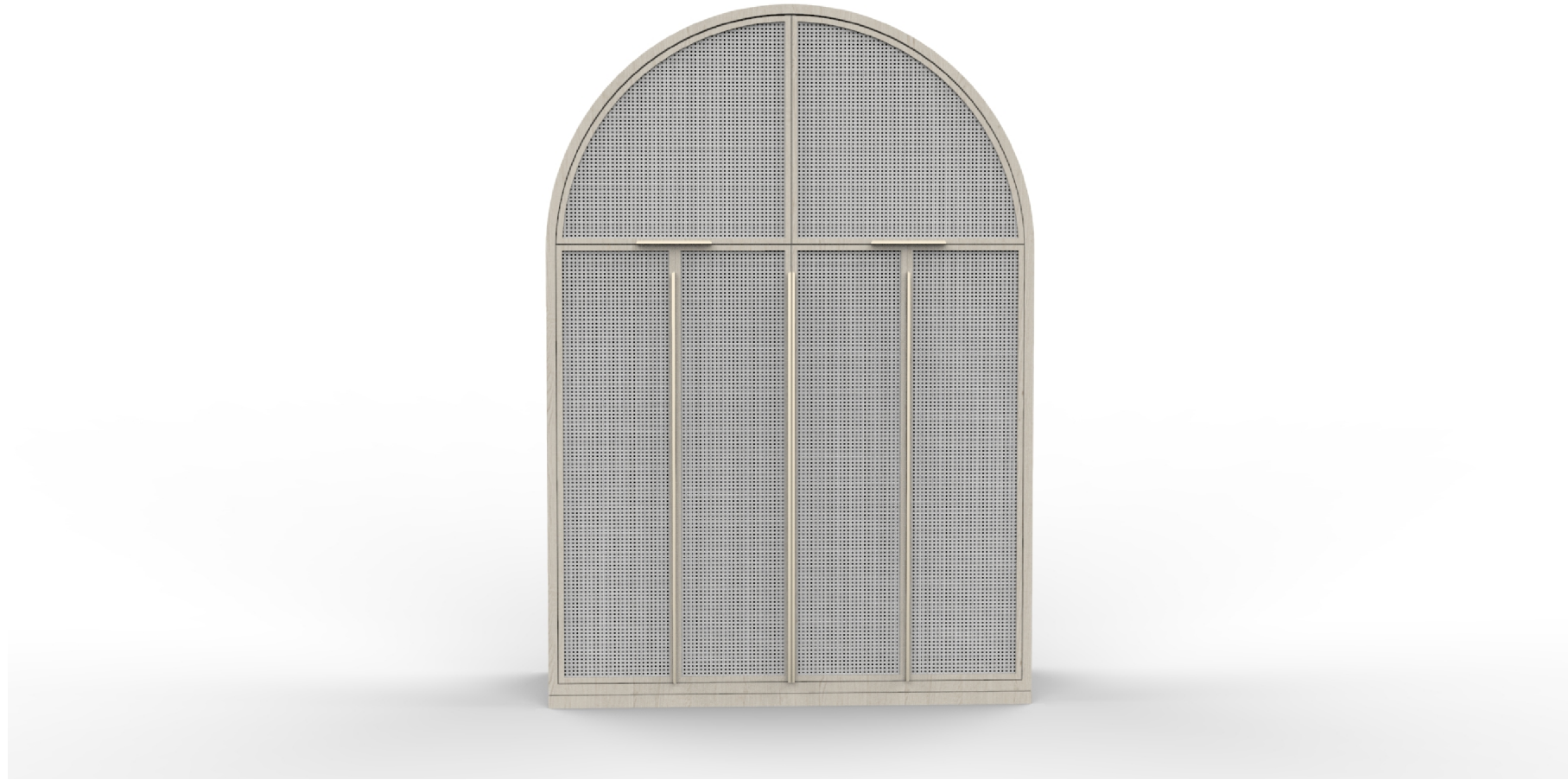
-DRAWING TITLE

CG-XX
ARMOIRE

-PROJECT NUMBER
19134

-DRAWING NUMBER
3 / 4

STUDIO MUNGE
Y
M
D
C
B
A
Y
X



DRAWING ARE NOT TO BE SCALED. CONTRACTOR MUST CHECK AND VERIFY ALL JOB DIMENSIONS, DRAWINGS, DETAILS AND SPECIFICATIONS; AND REPORT ANY DISCREPANCIES TO DESIGNER BEFORE PROCEEDING WITH WORK.

-REV/	-ISSUED FOR	-DATE

STUDIO MUNGE
25 WINGOLD AVENUE
TORONTO, ONTARIO
M6B 1P8 CANADA
416.588.1668
STUDIOMUNGE.COM

-SCALE
AS NOTED

-DATE
10/13/20

-DRAWN BY
EP

-CHECKED BY

-PROJECT NAME

LA SOCIETE

-DRAWING TITLE

CG-XX
ARMOIRE

-PROJECT NUMBER
19134

-DRAWING NUMBER
4 / 4