

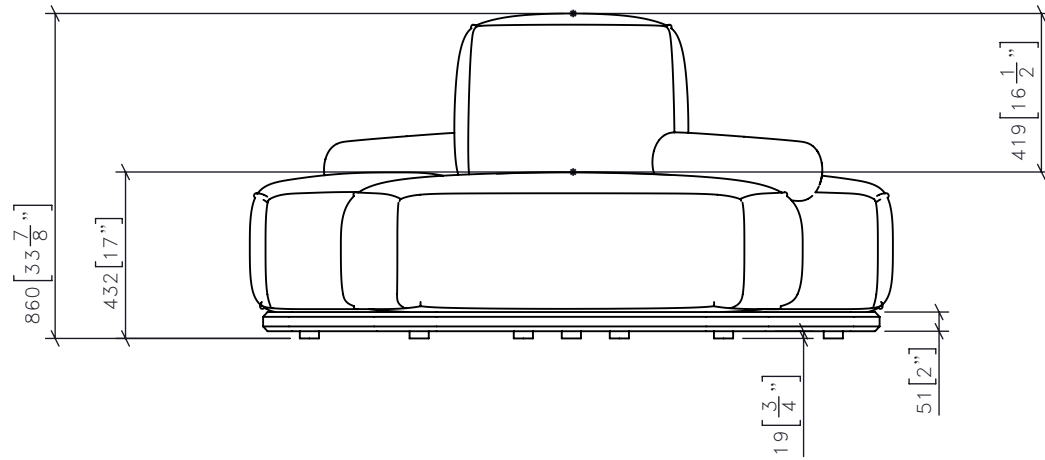
FOR DESIGN INTENT ONLY

DRAWING ARE NOT TO BE SCALED. CONTRACTOR MUST CHECK AND VERIFY ALL JOB DIMENSIONS, DRAWINGS, DETAILS AND SPECIFICATIONS; AND REPORT ANY DISCREPANCIES TO DESIGNER BEFORE PROCEEDING WITH WORK.

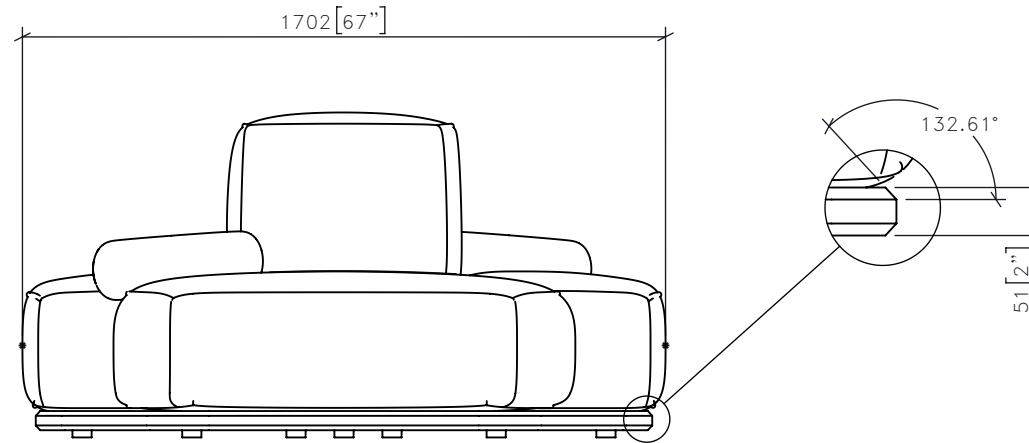
-REV/	-ISSUED FOR	-DATE

STUDIO MUNGE
 25 WINGOLD AVENUE
 TORONTO, ONTARIO
 M6B 1P8 CANADA
 416.588.1668
 STUDIOMUNGE.COM

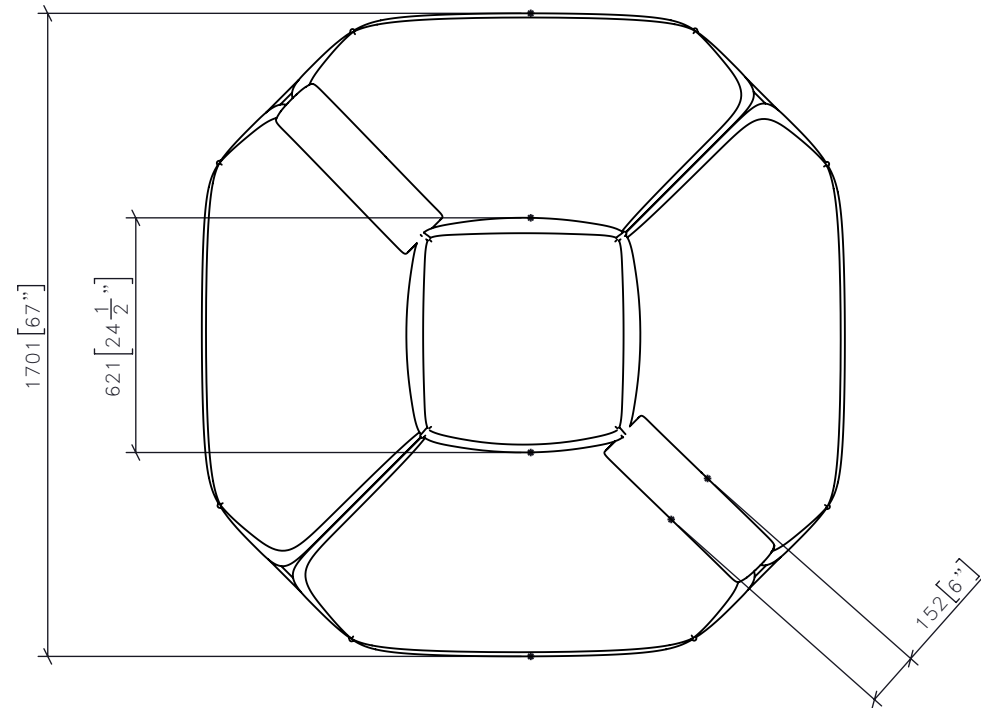
-SCALE	AS NOTED	-DATE	12/2/19
-DRAWN BY	RC	-CHECKED BY	
-PROJECT NAME	LA SOCIETE		
-DRAWING TITLE	SG-16 OUTDOOR CENTER BANQUETTE		
-PROJECT NUMBER	19134		
-DRAWING NUMBER	1 / 3		



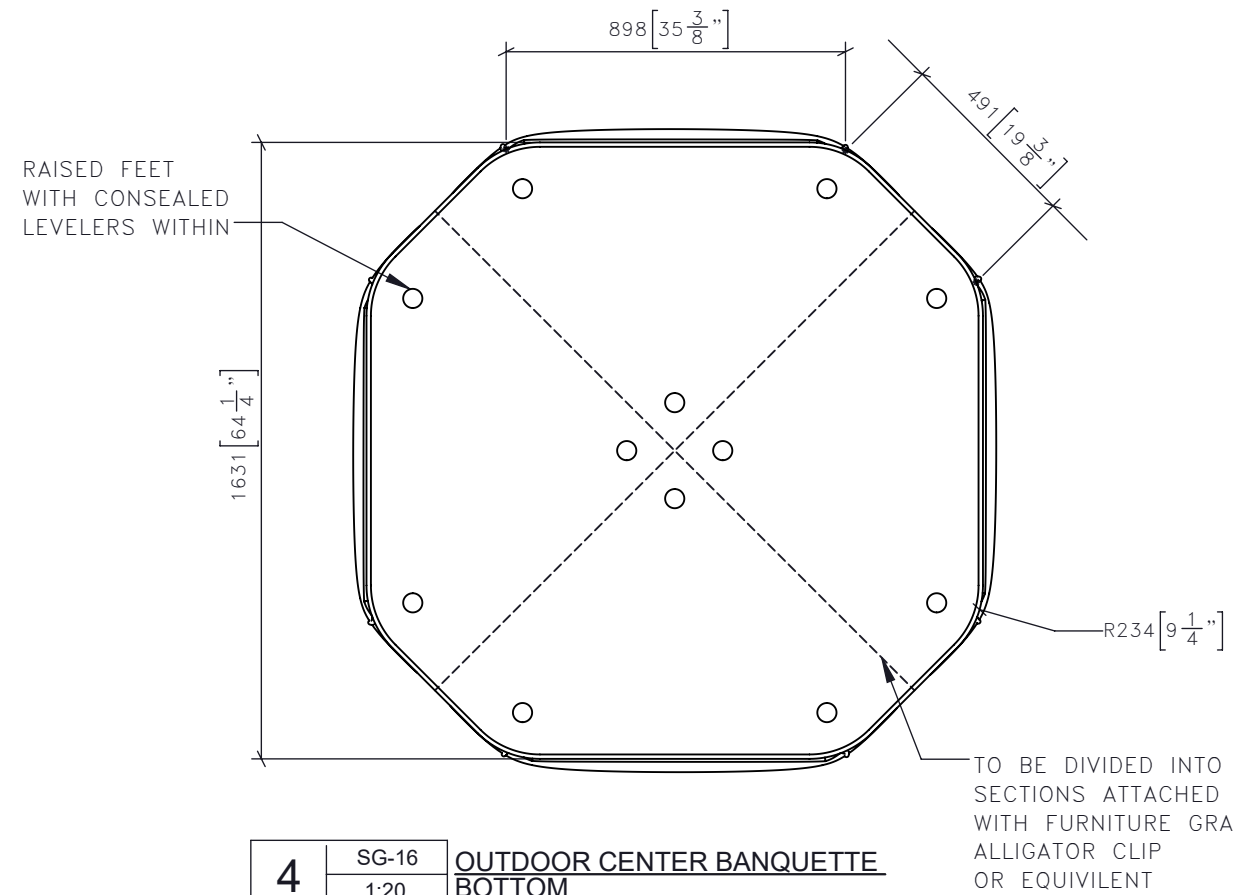
1 | SG-16 | **OUTDOOR CENTER BANQUETTE**
1:20 | FRONT ELEVATION



3 | SG-16 | **OUTDOOR CENTER BANQUETTE**
1:20 | SIDE ELEVATION



2 | SG-16 | **OUTDOOR CENTER BANQUETTE**
1:20 | PLAN



4 | SG-16 | **OUTDOOR CENTER BANQUETTE**
1:20 | BOTTOM

FOR DESIGN INTENT ONLY

DRAWING ARE NOT TO BE SCALED. CONTRACTOR MUST CHECK AND VERIFY ALL JOB DIMENSIONS, DRAWINGS, DETAILS AND SPECIFICATIONS; AND REPORT ANY DISCREPANCIES TO DESIGNER BEFORE PROCEEDING WITH WORK.

-REV/	-ISSUED FOR	-DATE

UPHOLSTERED BACK CUSHION
SGF-16

UPHOLSTERED BACK SUPPORT
WITH 1/4" PIPING
SGF-16

MUST BE REMOVABLE
SECURED WITH HARDWARE

UPHOLSTERED SEAT CUSHION
WITH 1/4" PIPING
SGF-16

CUSHION MUST BE SECURED
WITH VELCRO OR CLIPS AND
MUST BE REMOVABLE FOR CLEANING

RAISED FEET
WITH CONSEALED
LEVELERS WITHIN

SOLID HARDWOOD BASE
FF-WD-03

6" UPHOLSTERED BOLSTER
ATTACHED WITH D-RING
CLIPPED BETWEEN CUSHIONS
SGF-16

**STUDIO
MUNGE**

25 WINGOLD AVENUE
TORONTO, ONTARIO
M6B 1P8 CANADA
416.588.1668
STUDIOMUNGE.COM

-SCALE
AS NOTED

-DATE
12/2/19

-DRAWN BY
RC

-CHECKED BY

-PROJECT NAME

LA SOCIETE

-DRAWING TITLE

SG-16
OUTDOOR CENTER BANQUETTE

-PROJECT NUMBER
19134

-DRAWING NUMBER
2 / 3

4 | SG-16 | OUTDOOR CENTER BANQUETTE
1:10 | ISOMETRIC FRONT

STUDIO MUNGE
E
F
D
C
B
A
Y

FOR DESIGN INTENT ONLY

DRAWING ARE NOT TO BE SCALED. CONTRACTOR MUST CHECK AND VERIFY ALL JOB DIMENSIONS, DRAWINGS, DETAILS AND SPECIFICATIONS; AND REPORT ANY DISCREPANCIES TO DESIGNER BEFORE PROCEEDING WITH WORK.

-REV/	-ISSUED FOR	-DATE



**STUDIO
MUNGE**
25 WINGOLD AVENUE
TORONTO, ONTARIO
M6B 1P8 CANADA
416.588.1668
STUDIOMUNGE.COM

-SCALE AS NOTED	-DATE 12/2/19
-DRAWN BY RC	-CHECKED BY
-PROJECT NAME LA SOCIETE	
-DRAWING TITLE SG-16 OUTDOOR CENTER BANQUETTE	
-PROJECT NUMBER 19134	
-DRAWING NUMBER 3 / 3	

4	SG-16 1:10	OUTDOOR CENTER BANQUETTE RENDERED VIEW
----------	---------------	---