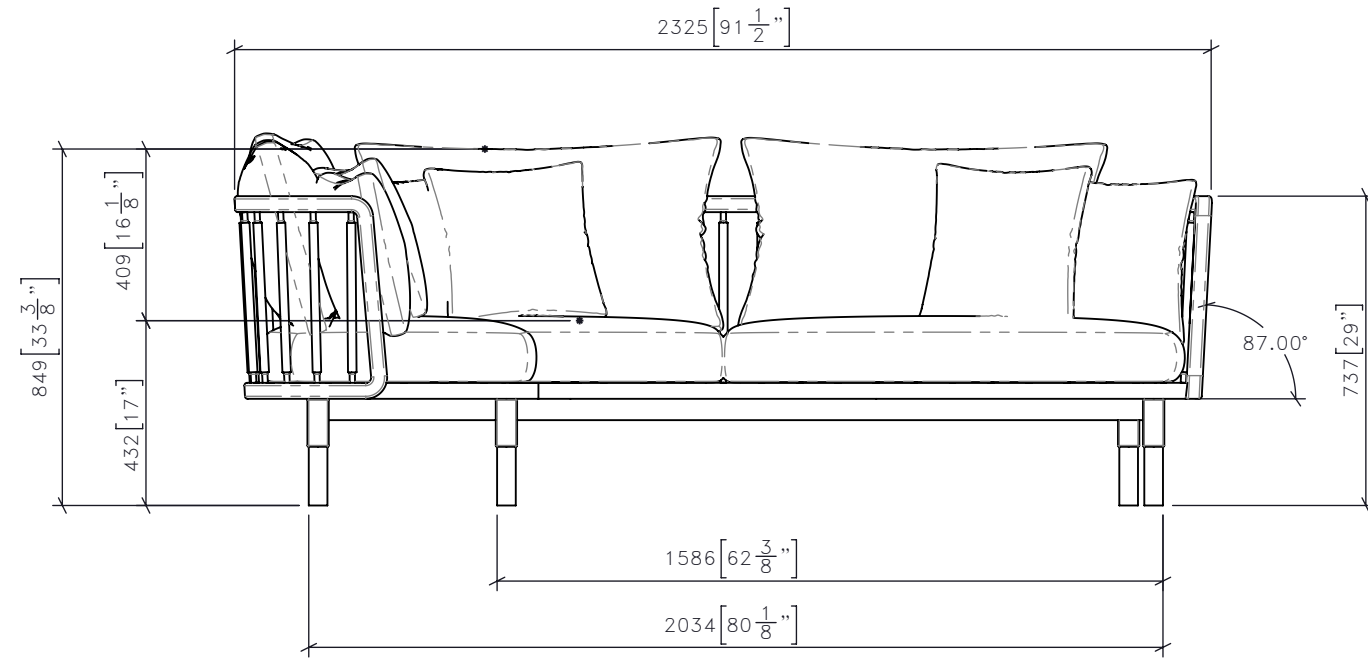


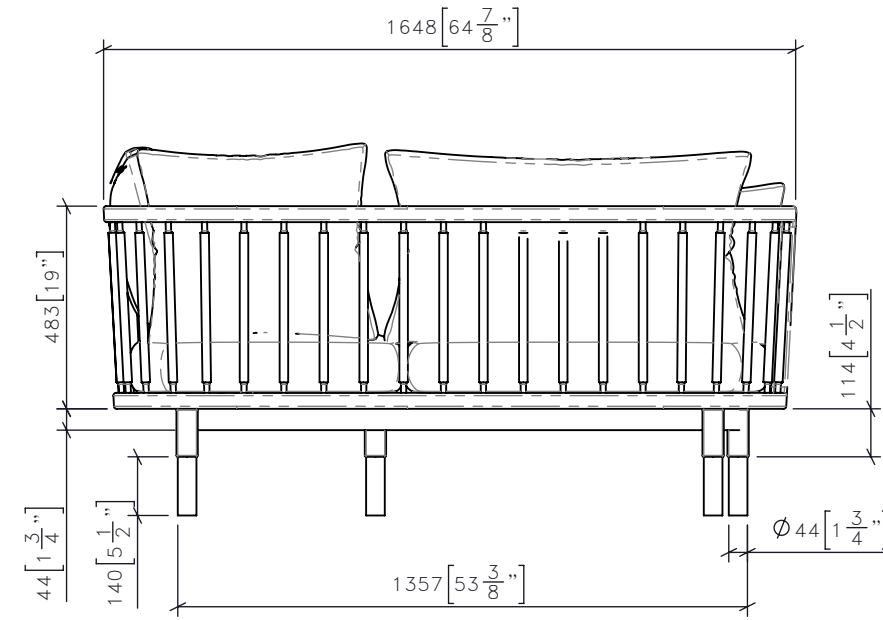
FOR DESIGN INTENT ONLY

DRAWING ARE NOT TO BE SCALED. CONTRACTOR MUST CHECK AND VERIFY ALL JOB DIMENSIONS, DRAWINGS, DETAILS AND SPECIFICATIONS; AND REPORT ANY DISCREPANCIES TO DESIGNER BEFORE PROCEEDING WITH WORK.

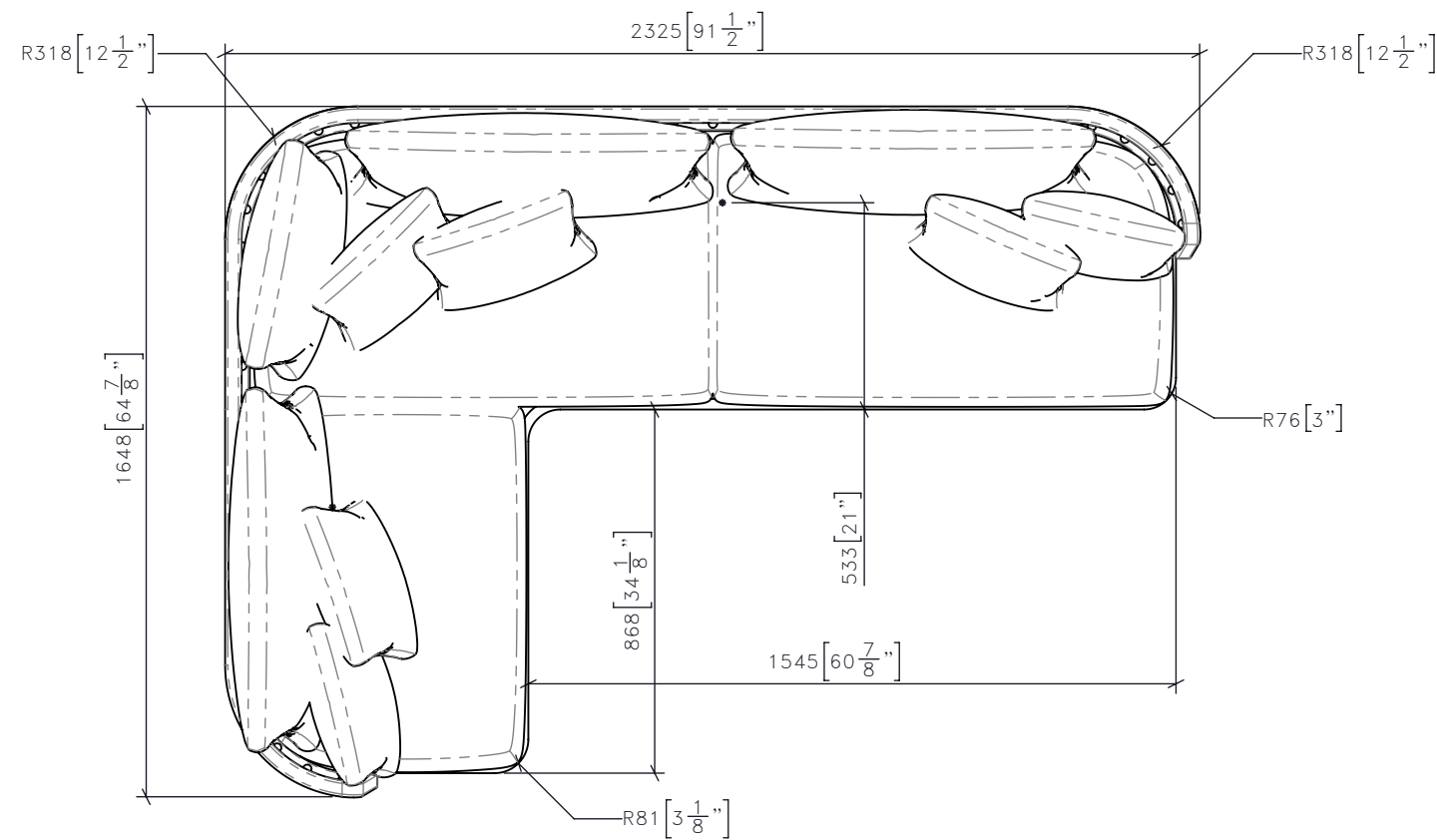
-REV/	-ISSUED FOR	-DATE



1 | SG-18 | **BANQUETTE FRONT ELEVATION**
1:18



3 | SG-18 | **BANQUETTE SIDE ELEVATION**
1:18



2 | SG-18 | **BANQUETTE PLAN**
1:18

STUDIO MUNGE
25 WINGOLD AVENUE
TORONTO, ONTARIO
M6B 1P8 CANADA
416.588.1668
STUDIOMUNGE.COM

-SCALE
AS NOTED

-DATE
11/14/19

-DRAWN BY
RC

-CHECKED BY

-PROJECT NAME

LA SOCIETE

-DRAWING TITLE

SG-18
BANQUETTE

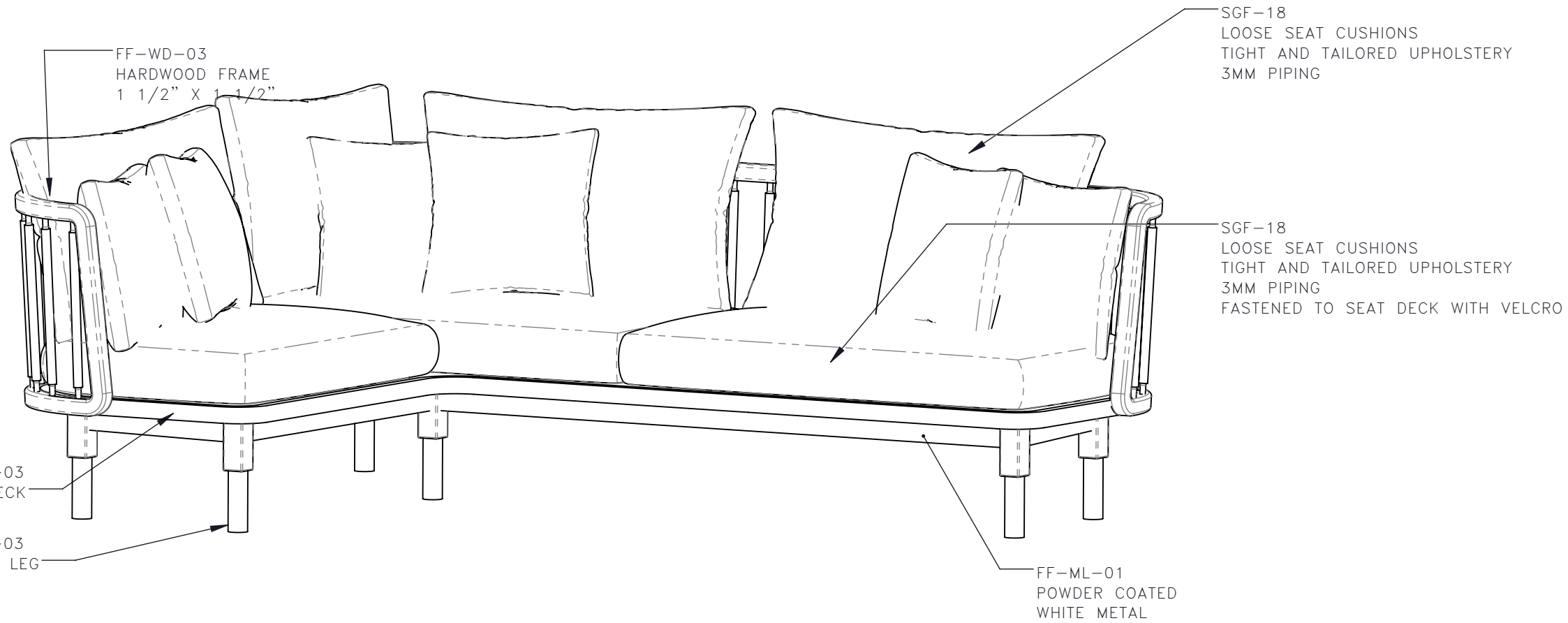
-PROJECT NUMBER
19134

-DRAWING NUMBER
1 / 3

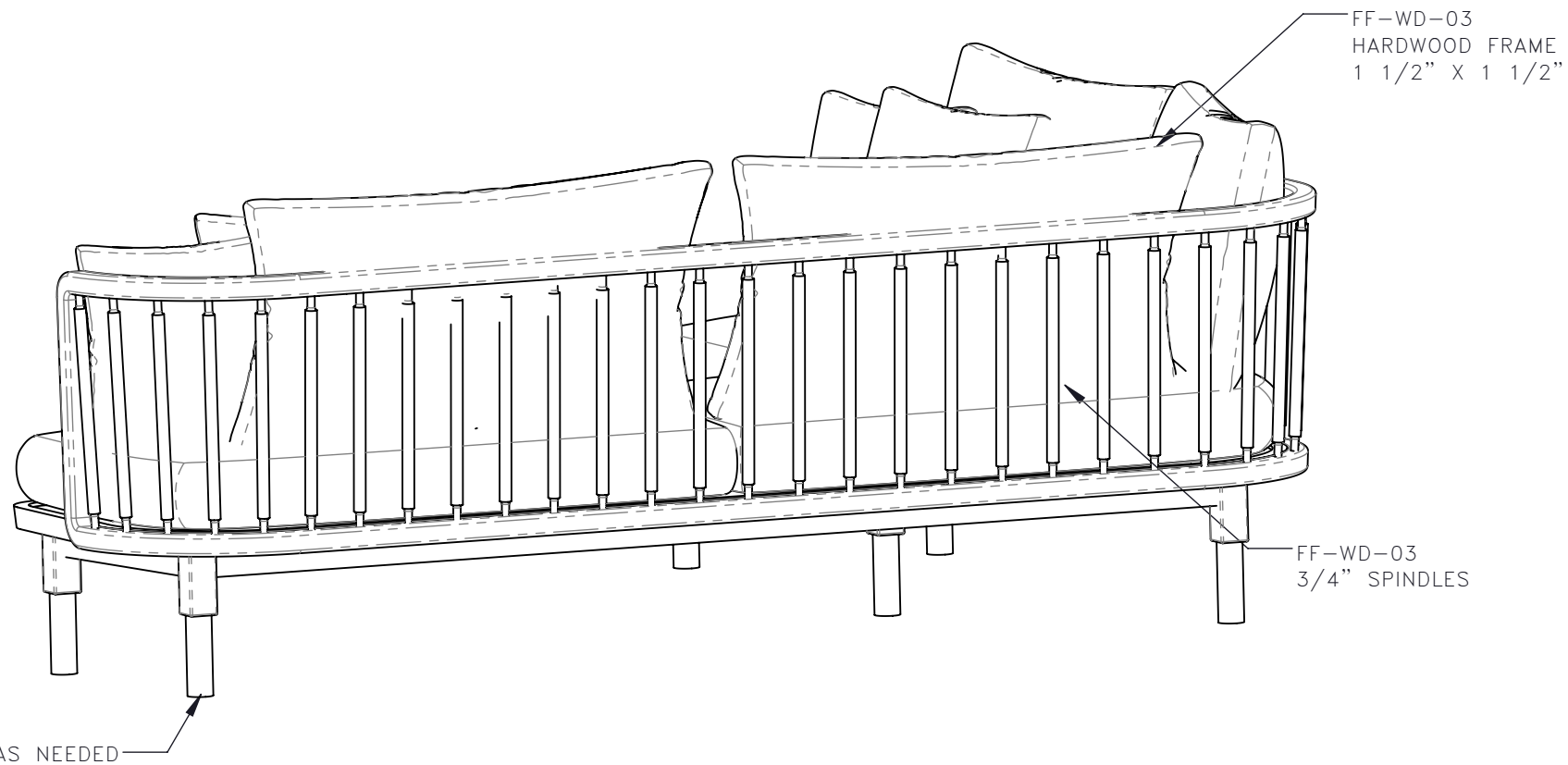
FOR DESIGN INTENT ONLY

DRAWING ARE NOT TO BE SCALED. CONTRACTOR MUST CHECK AND VERIFY ALL JOB DIMENSIONS, DRAWINGS, DETAILS AND SPECIFICATIONS; AND REPORT ANY DISCREPANCIES TO DESIGNER BEFORE PROCEEDING WITH WORK.

-REV-	-ISSUED FOR	-DATE



5 | SG-18 | **BANQUETTE**
1:12 | ISOMETRIC REAR



4 | SG-18 | **BANQUETTE**
1:12 | ISOMETRIC FRONT

STUDIO MUNGE
25 WINGOLD AVENUE
TORONTO, ONTARIO
M6B 1P8 CANADA
416.588.1668
STUDIOMUNGE.COM

-SCALE AS NOTED -DATE 11/14/19

-DRAWN BY RC -CHECKED BY

-PROJECT NAME

LA SOCIETE

-DRAWING TITLE

SG-18
BANQUETTE

-PROJECT NUMBER
19134

-DRAWING NUMBER
2 / 3

STUDIO MUNGE
E
F
D
C
B
A
Y

FOR DESIGN INTENT ONLY

DRAWING ARE NOT TO BE SCALED. CONTRACTOR MUST CHECK AND VERIFY ALL JOB DIMENSIONS, DRAWINGS, DETAILS AND SPECIFICATIONS; AND REPORT ANY DISCREPANCIES TO DESIGNER BEFORE PROCEEDING WITH WORK.

-REV/	-ISSUED FOR	-DATE



**STUDIO
MUNGE**
25 WINGOLD AVENUE
TORONTO, ONTARIO
M6B 1P8 CANADA
416.588.1668
STUDIOMUNGE.COM

-SCALE AS NOTED	-DATE 11/14/19
-DRAWN BY RC	-CHECKED BY
-PROJECT NAME LA SOCIETE	
-DRAWING TITLE SG-18 BANQUETTE	
-PROJECT NUMBER 19134	
-DRAWING NUMBER 3 / 3	

6	SG-18	BANQUETTE RENDERED VIEW
	1:12	