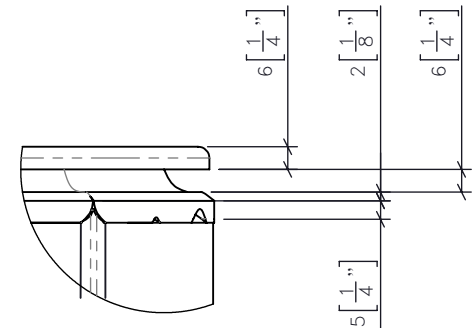
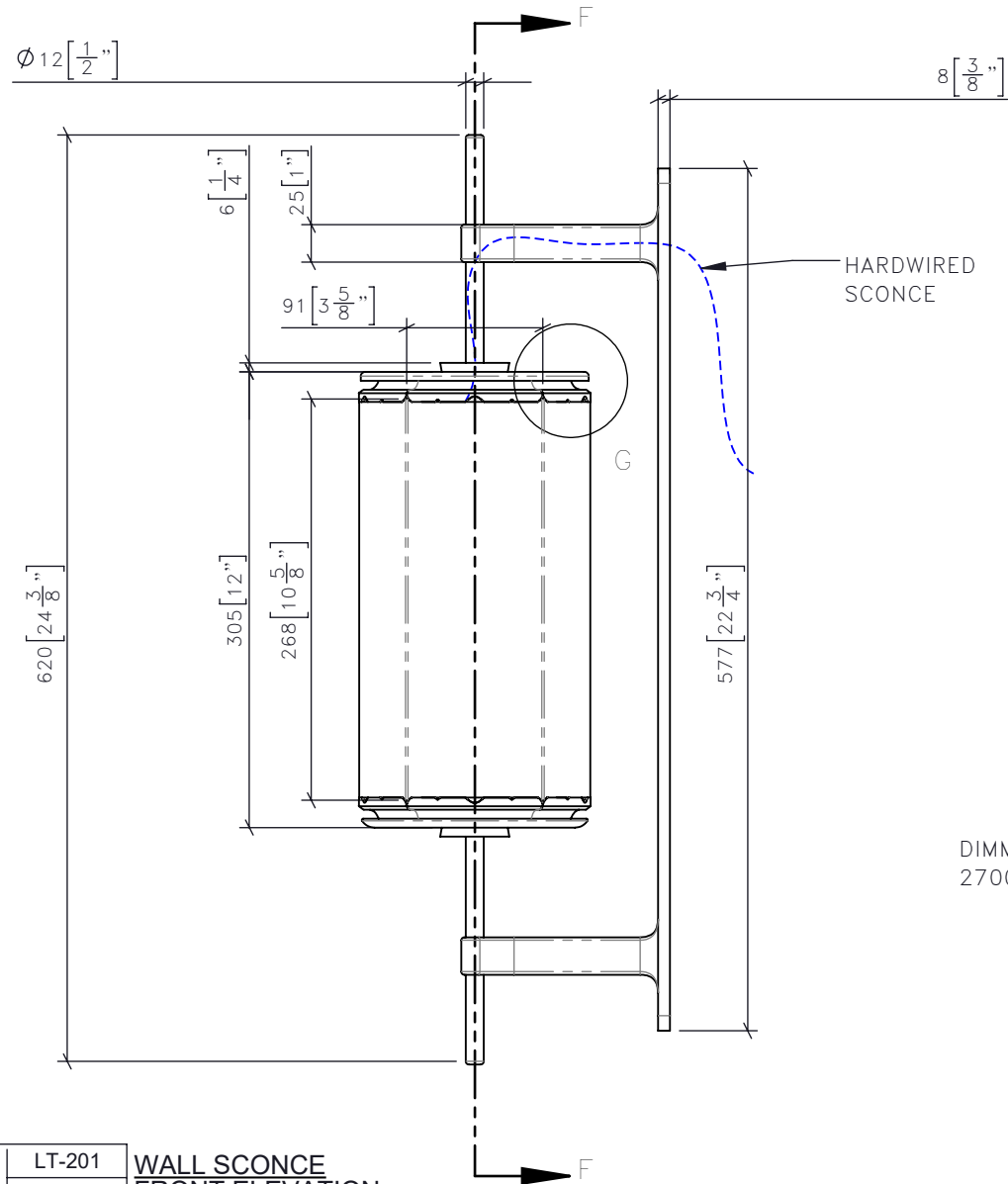
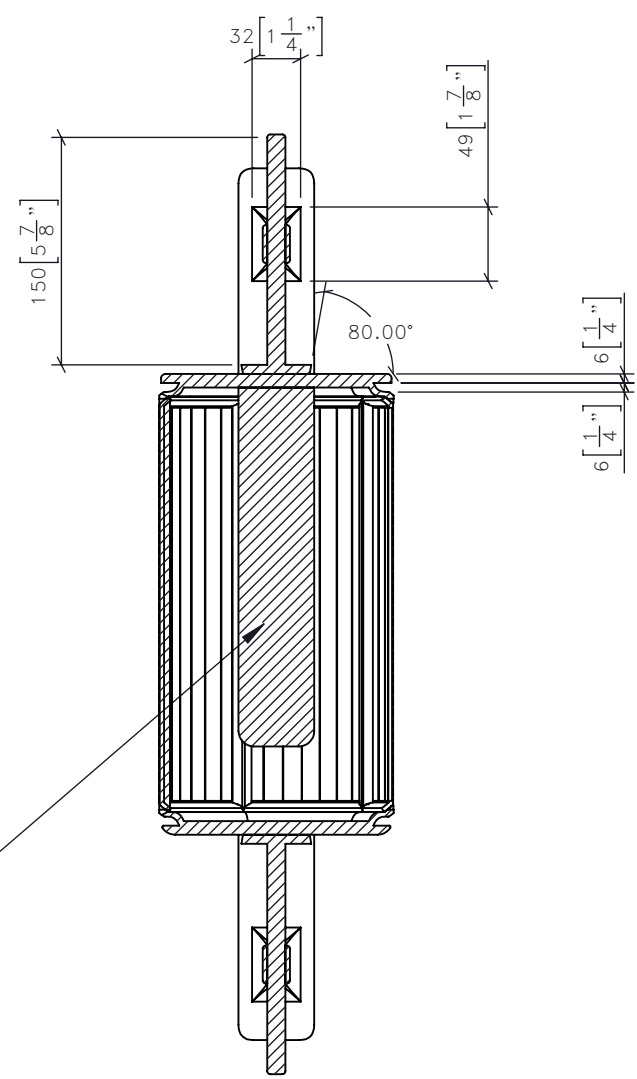


FOR DESIGN INTENT ONLY

DRAWING ARE NOT TO BE SCALED. CONTRACTOR MUST CHECK AND VERIFY ALL JOB DIMENSIONS, DRAWINGS, DETAILS AND SPECIFICATIONS; AND REPORT ANY DISCREPANCIES TO DESIGNER BEFORE PROCEEDING WITH WORK.

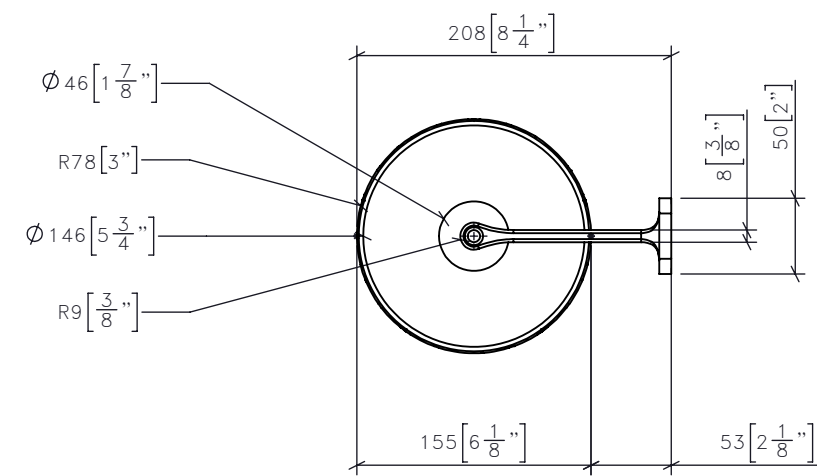


DIMMABLE LED LIGHTING
2700K - LIGHTING DESIGNER TO CONFIRM SPEC



1 | LT-201 | WALL SCONCE
1:5 | FRONT ELEVATION

1 | LT-201 | WALL SCONCE
1:5 | SECTION F-F



2 | LT-201 | WALL SCONCE
1:5 | PLAN

-REV/	-ISSUED FOR	-DATE
<p>STUDIO MUNGE</p> <p>25 WINGOLD AVENUE TORONTO, ONTARIO M6B 1P8 CANADA 416.588.1668 STUDIOMUNGE.COM</p>		
-SCALE	-DATE	
AS NOTED	2/24/20	
-DRAWN BY	-CHECKED BY	
RC		
-PROJECT NAME		
DIAOYUTAI QINGDAO		
-DRAWING TITLE		
LT-201 WALL SCONCE		
-PROJECT NUMBER		
19118		
-DRAWING NUMBER		
1 / 3		

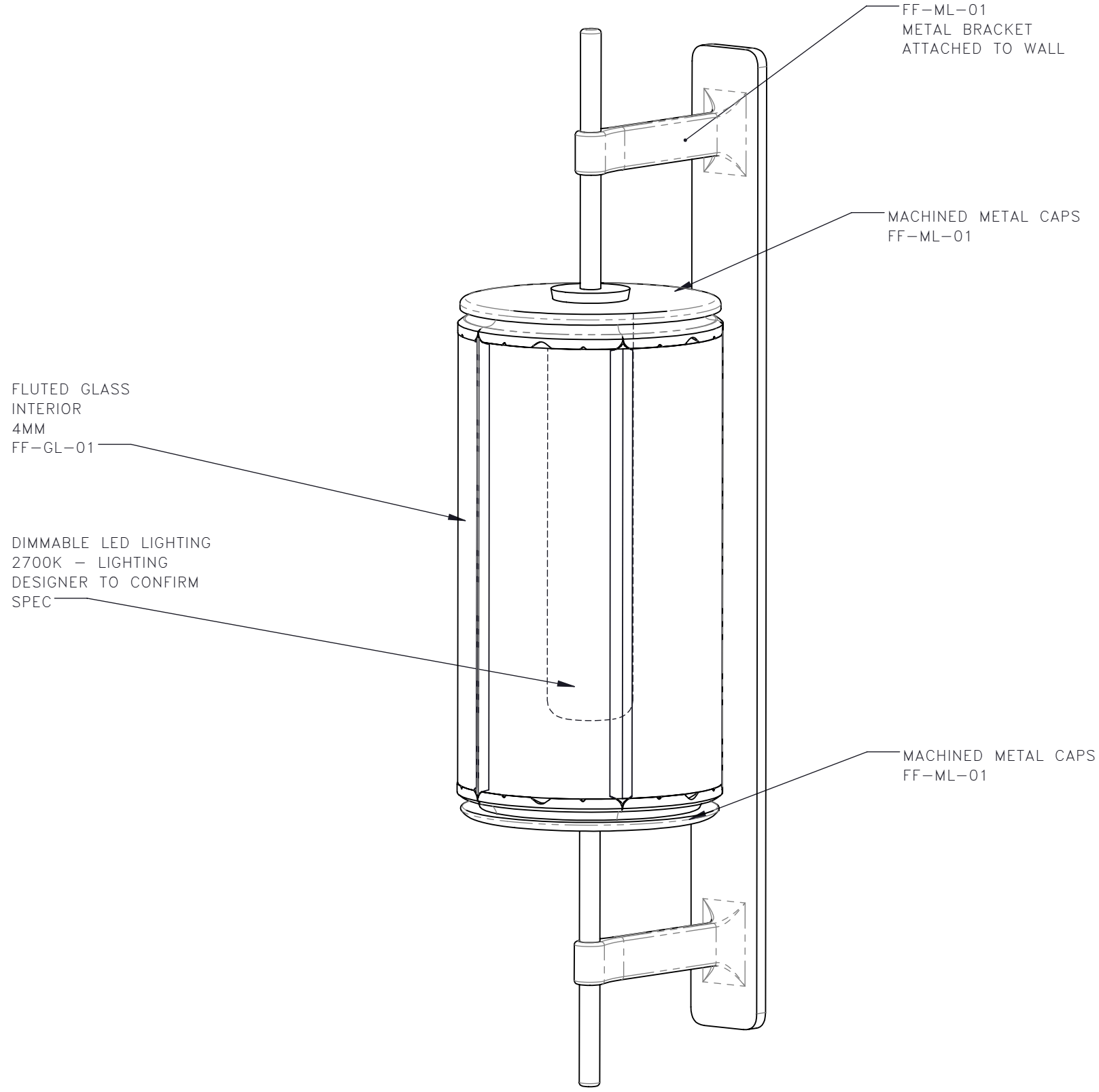
STUDIO MUNGE

NOTE: MANUFACTURE TO INSURE SERVICABILITY OF LIGHT FIXTURES
NOTE: ALL COMPONENTS AND FINISHES TO ENSURE DURABILITY FOR WET SPACE

FOR DESIGN INTENT ONLY

DRAWING ARE NOT TO BE SCALED. CONTRACTOR MUST CHECK AND VERIFY ALL JOB DIMENSIONS, DRAWINGS, DETAILS AND SPECIFICATIONS; AND REPORT ANY DISCREPANCIES TO DESIGNER BEFORE PROCEEDING WITH WORK.

-REV/	-ISSUED FOR	-DATE



STUDIO MUNGE
 25 WINGOLD AVENUE
 TORONTO, ONTARIO
 M6B 1P8 CANADA
 416.588.1668
 STUDIOMUNGE.COM

-SCALE AS NOTED	-DATE 2/24/20
-DRAWN BY RC	-CHECKED BY
-PROJECT NAME DIAOYUTAI QINGDAO	
-DRAWING TITLE LT-201 WALL SCONCE	
-PROJECT NUMBER 19118	
-DRAWING NUMBER 2 / 3	

4	LT-201	WALL SCONCE ISOMETRIC FRONT
	1:3	

STUDIO MUNGE
E
F
D
C
B
A
Y

NOTE: MANUFACTURE TO INSURE SERVICABILITY OF LIGHT FIXTURES
NOTE: ALL COMPONENTS AND FINISHES TO ENSURE DURABILITY FOR WET SPACE

FOR DESIGN INTENT ONLY

DRAWING ARE NOT TO BE SCALED. CONTRACTOR MUST CHECK AND VERIFY ALL JOB DIMENSIONS, DRAWINGS, DETAILS AND SPECIFICATIONS; AND REPORT ANY DISCREPANCIES TO DESIGNER BEFORE PROCEEDING WITH WORK.

-REV/	-ISSUED FOR	-DATE

**STUDIO
MUNGE**
25 WINGOLD AVENUE
TORONTO, ONTARIO
M6B 1P8 CANADA
416.588.1668
STUDIOMUNGE.COM

-SCALE
AS NOTED

-DATE
2/24/20

-DRAWN BY
RC

-CHECKED BY

-PROJECT NAME

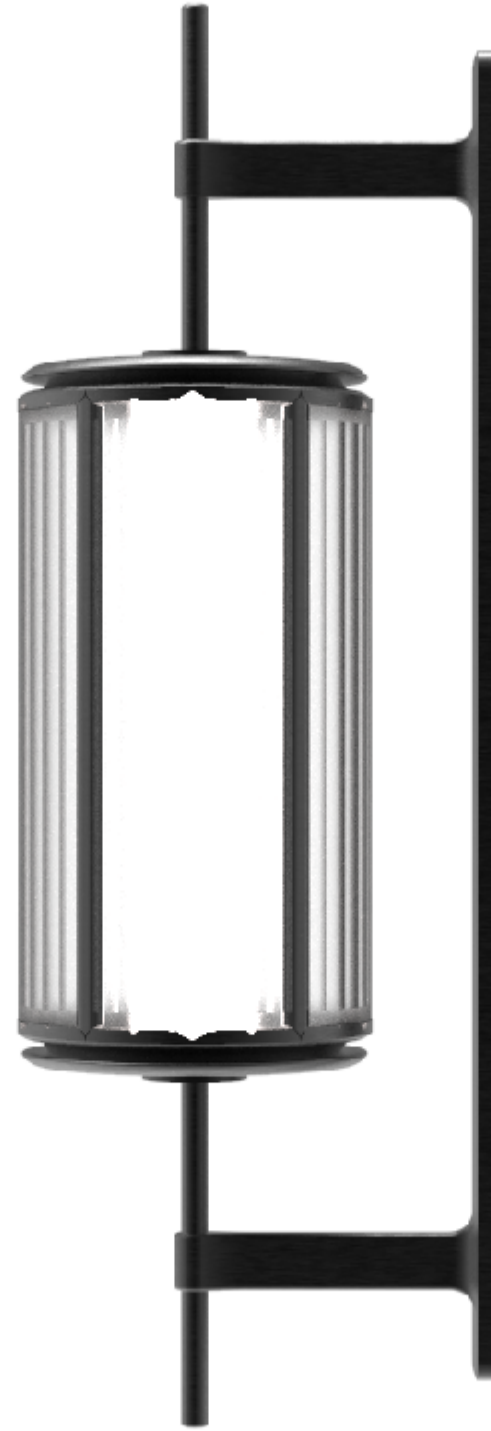
DIAOYUTAI QINGDAO

-DRAWING TITLE

LT-201
WALL SCONCE

-PROJECT NUMBER
19118

-DRAWING NUMBER
3 / 3



5	LT-201	WALL SCONCE RENDERED VEIW
	1:3	