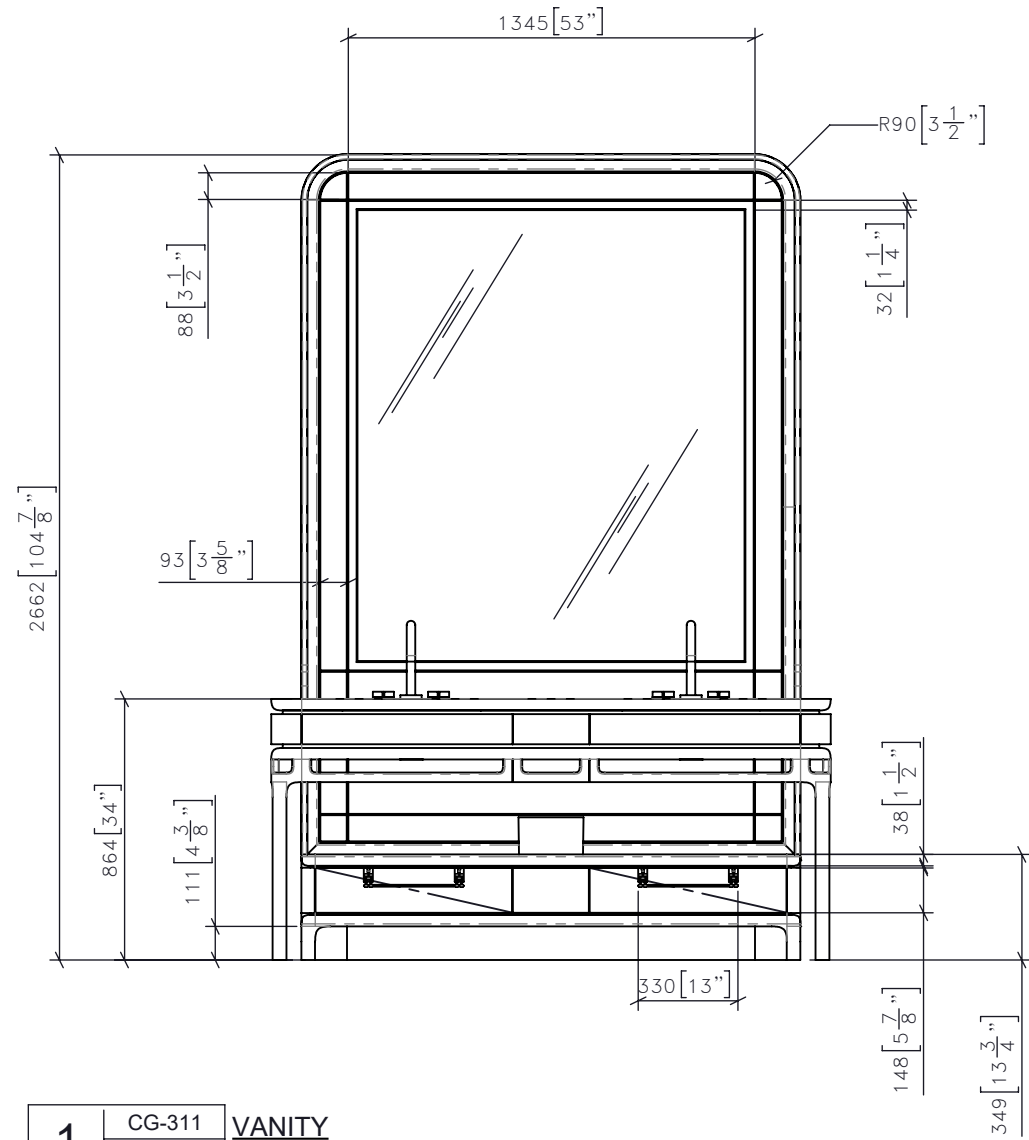


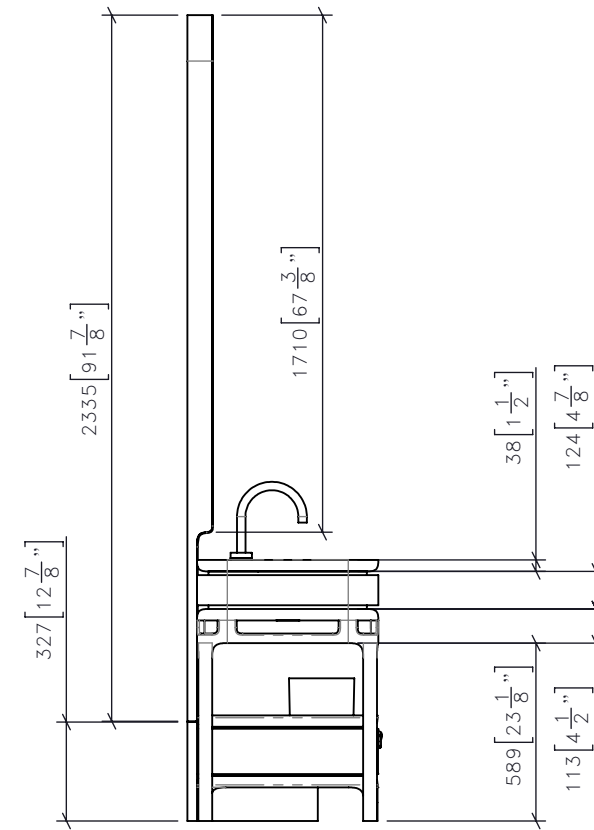
-REV/	-ISSUED FOR	-DATE

**STUDIO MUNGE**  
 25 WINGOLD AVENUE  
 TORONTO, ONTARIO  
 M6B 1P8 CANADA  
 416.588.1668  
 STUDIOMUNGE.COM

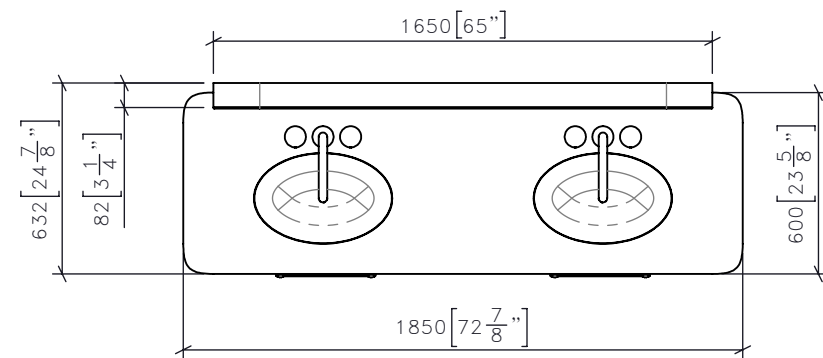
-SCALE	AS NOTED	-DATE	2/25/20
-DRAWN BY	LS	-CHECKED BY	
-PROJECT NAME	DIAOYUTAI QINGDAO		
-DRAWING TITLE	CG-311 VANITY		
-PROJECT NUMBER	19118		
-DRAWING NUMBER	1 / 5		



**1** CG-311 VANITY  
 1:25 FRONT ELEVATION - FULL ASSEMBLY



**3** CG-311 VANITY  
 1:25 SIDE ELEVATION - FULL ASSEMBLY

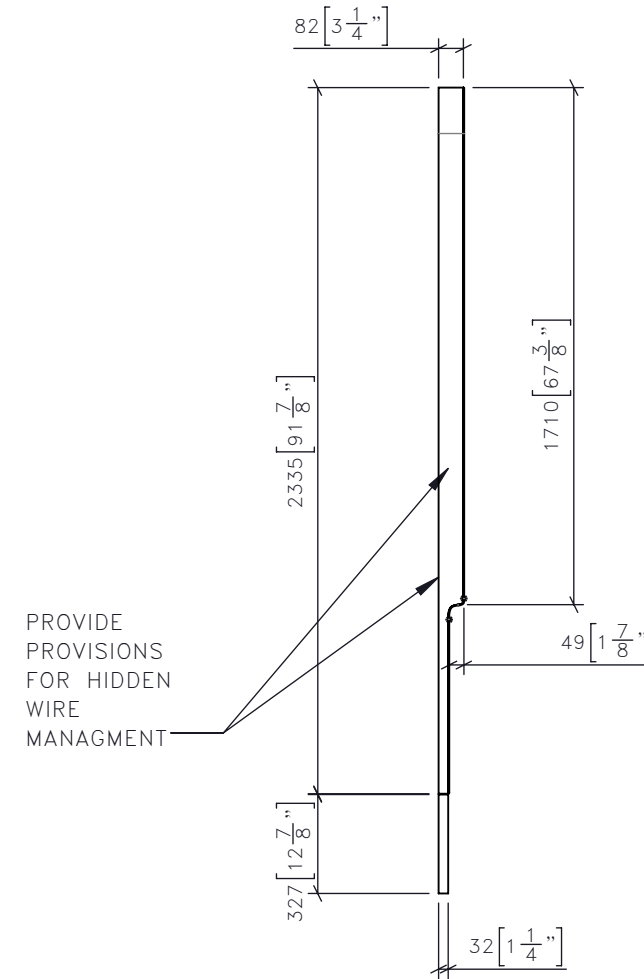
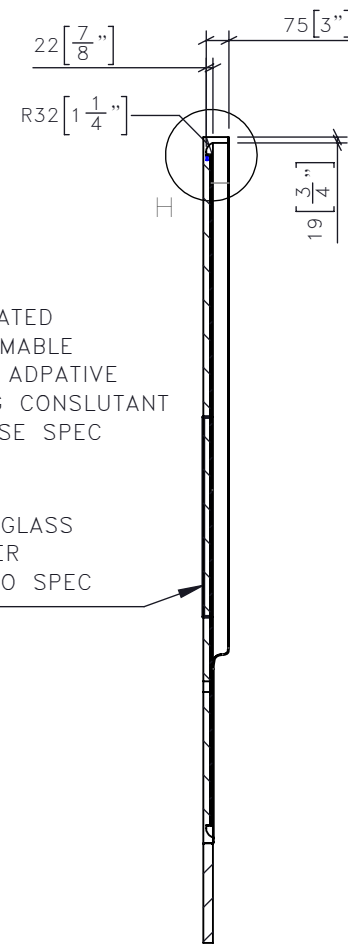
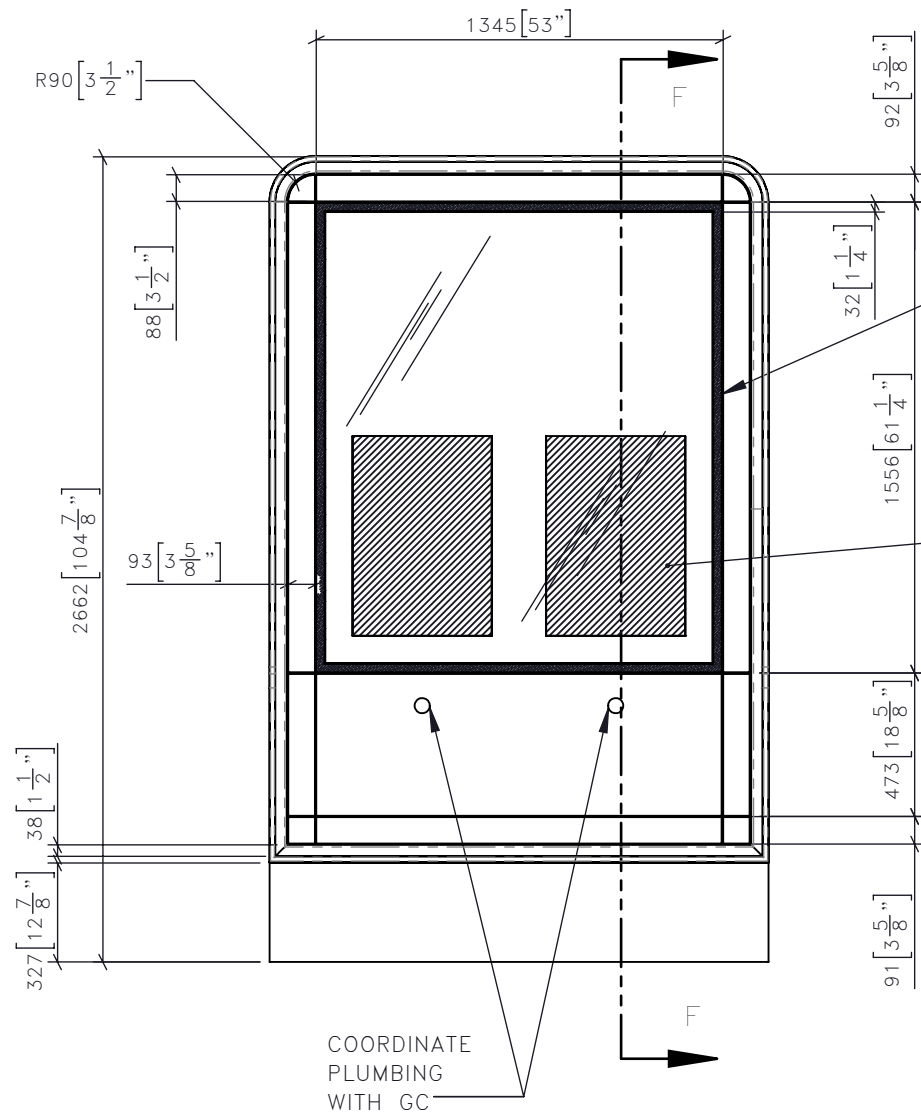


**2** CG-311 VANITY  
 1:25 PLAN - FULL ASSEMBLY

FOR DESIGN INTENT ONLY

DRAWING ARE NOT TO BE SCALED. CONTRACTOR MUST CHECK AND VERIFY ALL JOB DIMENSIONS, DRAWINGS, DETAILS AND SPECIFICATIONS; AND REPORT ANY DISCREPANCIES TO DESIGNER BEFORE PROCEEDING WITH WORK.

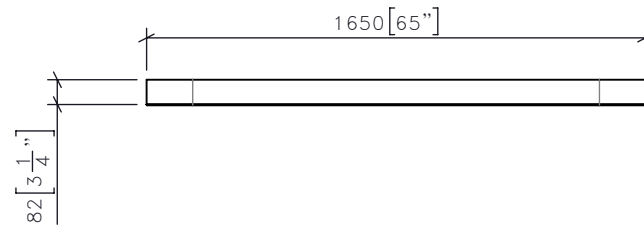
-REV/	-ISSUED FOR	-DATE



SECTION F-F

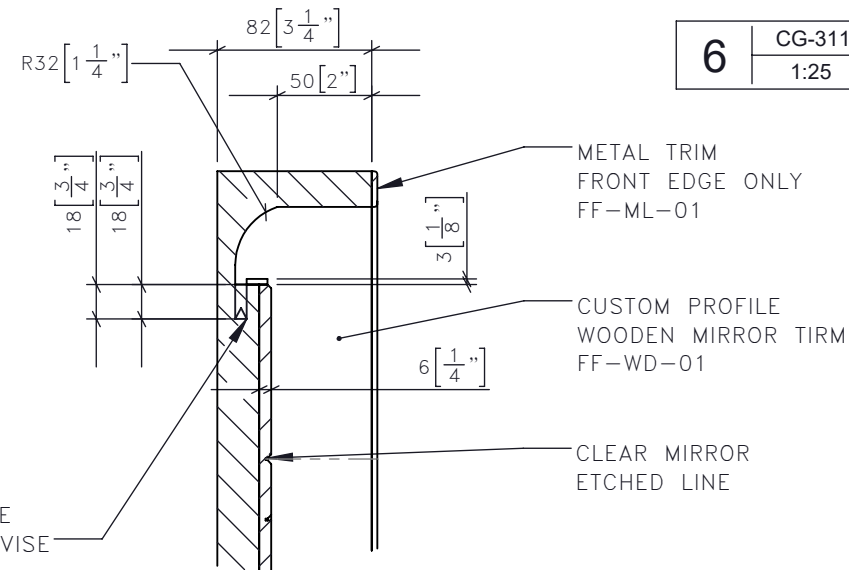
4 CG-311 VANITY FRONT ELEVATION - MIRROR 1:25

6 CG-311 VANITY SIDE ELEVATION - MIRROR 1:25



5 CG-311 VANITY PLAN - MIRROR 1:25

LED STRIP LIGHT AROUND PERIMETER MIRROR PROFILE LIGHTING DESIGNER TO ADVISE



DETAIL H SCALE 1 : 4

METAL TRIM FRONT EDGE ONLY FF-ML-01

CUSTOM PROFILE WOODEN MIRROR TRIM FF-WD-01

CLEAR MIRROR ETCHED LINE

STUDIO MUNGE  
25 WINGOLD AVENUE  
TORONTO, ONTARIO  
M6B 1P8 CANADA  
416.588.1668  
STUDIOMUNGE.COM

-SCALE AS NOTED -DATE 2/25/20

-DRAWN BY LS -CHECKED BY

-PROJECT NAME DIAOYUTAI QINGDAO

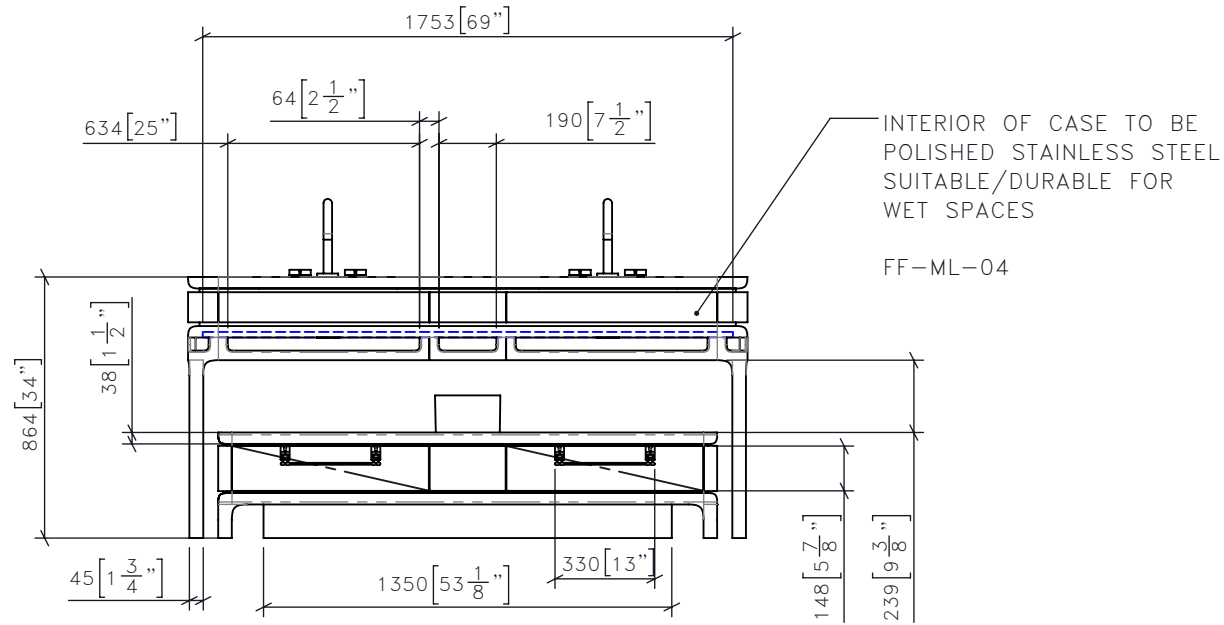
-DRAWING TITLE

CG-311 VANITY

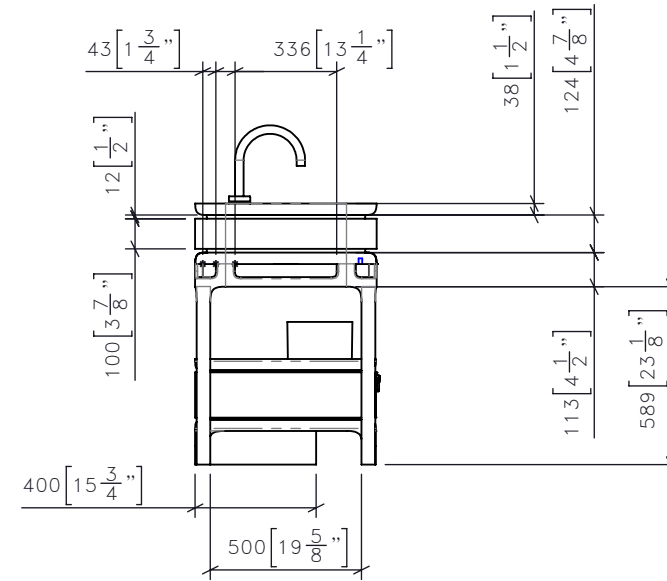
-PROJECT NUMBER 19118

-DRAWING NUMBER 2 / 5

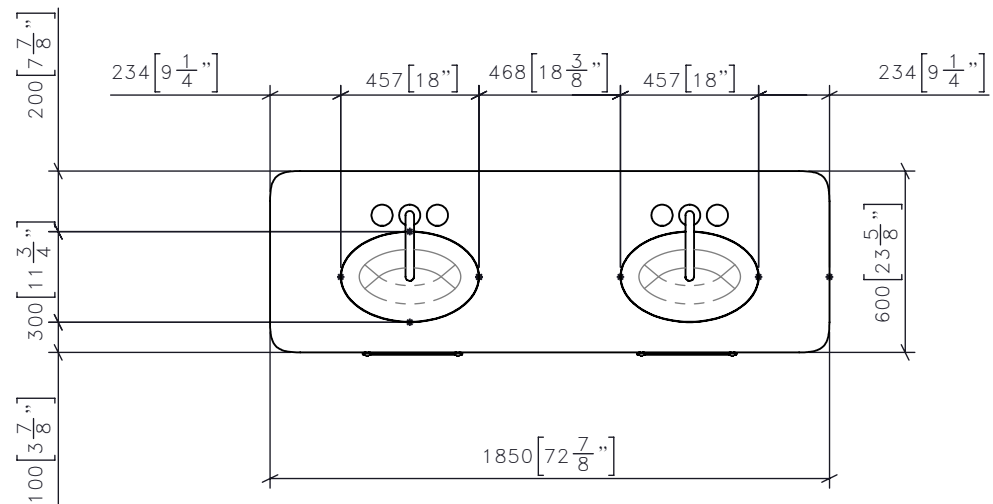
-REV/	-ISSUED FOR	-DATE



**7** CG-311 VANITY  
 1:25 FRONT ELEVATION - VANITY



**9** CG-311 VANITY  
 1:25 SIDE ELEVATION - VANITY



**8** CG-311 VANITY  
 1:25 PLAN - VANITY

**STUDIO MUNGE**  
 25 WINGOLD AVENUE  
 TORONTO, ONTARIO  
 M6B 1P8 CANADA  
 416.588.1668  
 STUDIOMUNGE.COM

**-SCALE**  
 AS NOTED

**-DATE**  
 2/25/20

**-DRAWN BY**  
 LS

**-CHECKED BY**

**-PROJECT NAME**

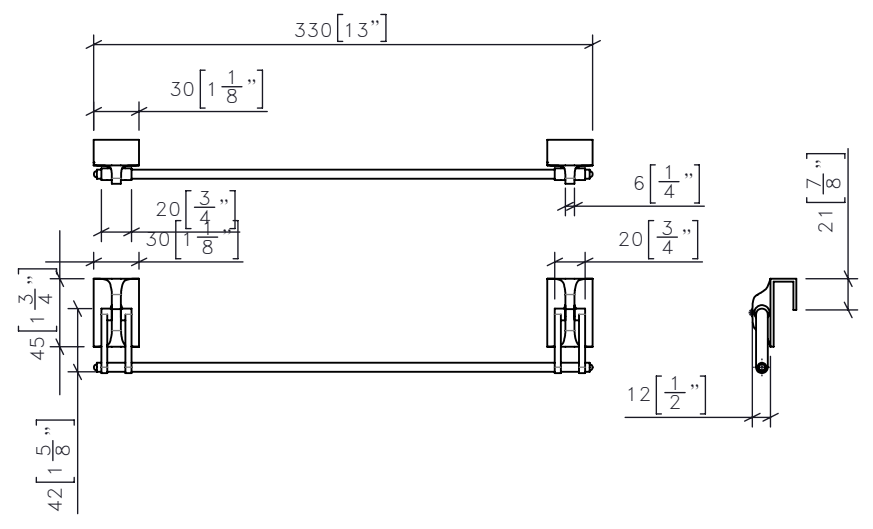
DIAOYUTAI QINGDAO

**-DRAWING TITLE**

CG-311  
 VANITY

**-PROJECT NUMBER**  
 19118

**-DRAWING NUMBER**  
 3 / 5



**11** CG-311 VANITY CUSTOM HANDLE  
1:15

BEHIND MIRROR DEFOGGER REFER TO SPEC H-

INTERIOR OF CASE TO BE POLISHED STAINLESS STEEL SUITABLE/DURABLE FOR WET SPACES

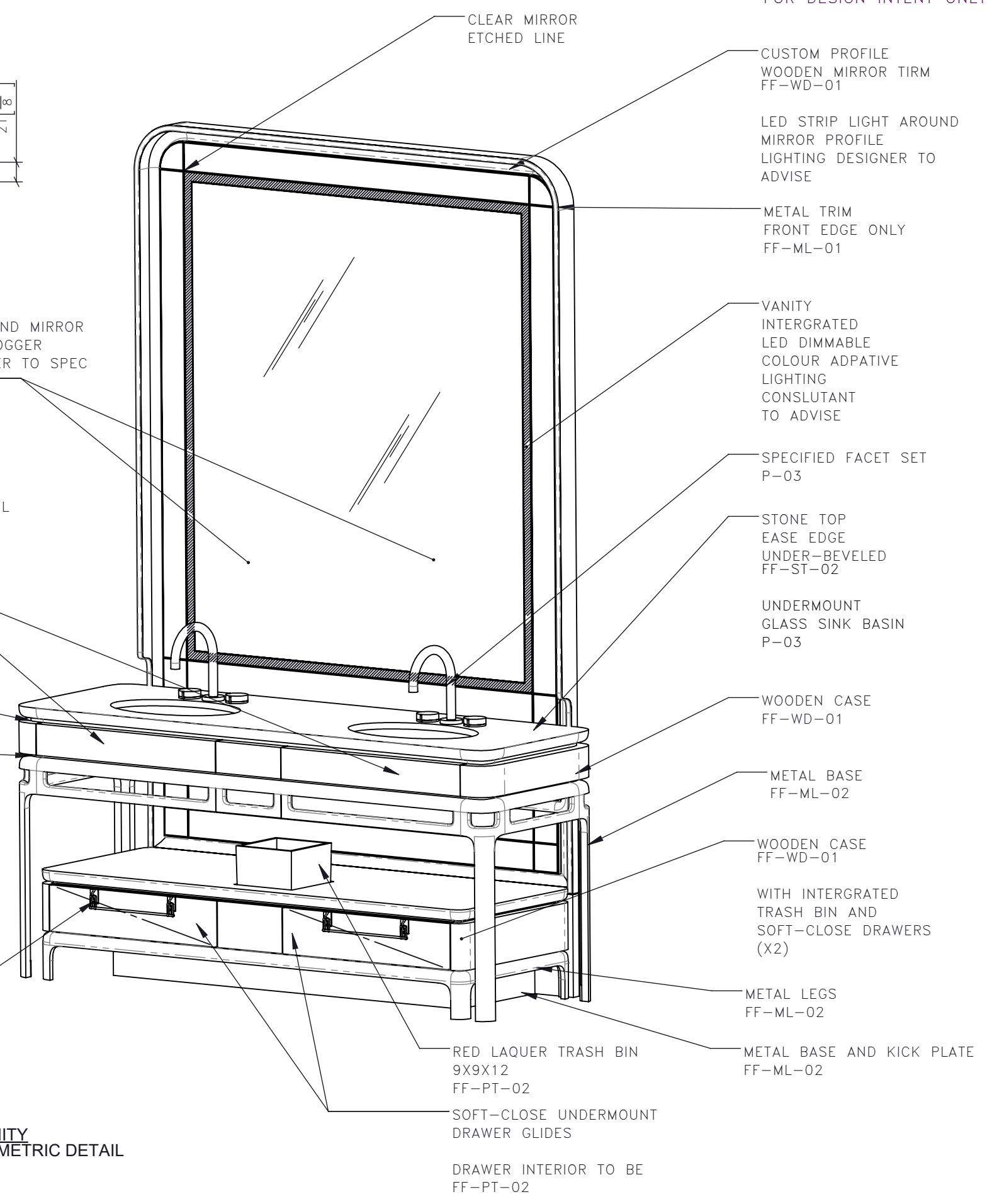
FF-ML-04

METAL TRIM FF-ML-01

METAL TRIM FF-ML-01

CUSTOM DRAWER HANDLE FF-ML-01

**10** CG-311 VANITY ISOMETRIC DETAIL  
1:15



FOR DESIGN INTENT ONLY

DRAWING ARE NOT TO BE SCALED. CONTRACTOR MUST CHECK AND VERIFY ALL JOB DIMENSIONS, DRAWINGS, DETAILS AND SPECIFICATIONS; AND REPORT ANY DISCREPANCIES TO DESIGNER BEFORE PROCEEDING WITH WORK.

-REV/	-ISSUED FOR	-DATE

**STUDIO MUNGE**  
25 WINGOLD AVENUE  
TORONTO, ONTARIO  
M6B 1P8 CANADA  
416.588.1668  
STUDIOMUNGE.COM

-SCALE AS NOTED -DATE 2/25/20

-DRAWN BY LS -CHECKED BY

-PROJECT NAME

DIAOYUTAI QINGDAO

-DRAWING TITLE

CG-311 VANITY

-PROJECT NUMBER 19118

-DRAWING NUMBER 4 / 5

STUDIO MUNGE  
Y  
E  
M  
D  
C  
B  
A  
Y

FOR DESIGN INTENT ONLY

DRAWING ARE NOT TO BE SCALED. CONTRACTOR MUST CHECK AND VERIFY ALL JOB DIMENSIONS, DRAWINGS, DETAILS AND SPECIFICATIONS; AND REPORT ANY DISCREPANCIES TO DESIGNER BEFORE PROCEEDING WITH WORK.

-REV/	-ISSUED FOR	-DATE



**STUDIO  
MUNGE** 25 WINGOLD AVENUE  
TORONTO, ONTARIO  
M6B 1P8 CANADA  
416.588.1668  
STUDIOMUNGE.COM

**-SCALE** AS NOTED **-DATE** 2/25/20

**-DRAWN BY** LS **-CHECKED BY**

**-PROJECT NAME**  
DIAOYUTAI QINGDAO

**-DRAWING TITLE**  
CG-311  
VANITY

**-PROJECT NUMBER**  
19118

**-DRAWING NUMBER**  
5 / 5

12 CG-311 VANITY  
1:15 RENDERED VIEW