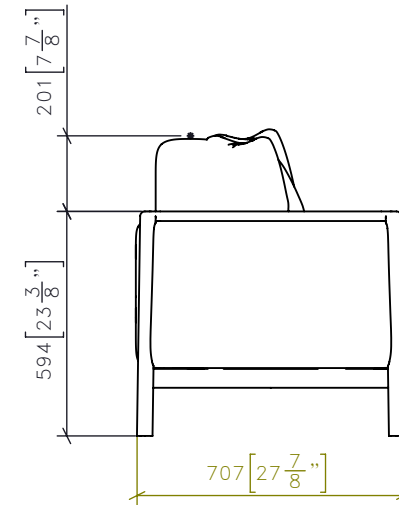
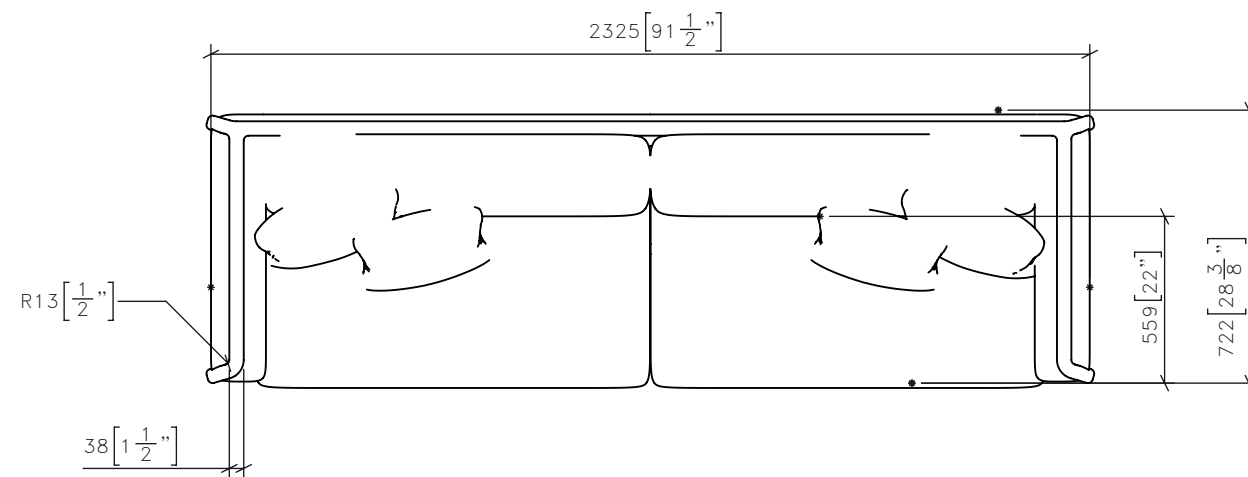


1 CG-XX SOFA
1:20 FRONT ELEVATION



3 CG-XX SOFA
1:20 SIDE ELEVATION



2 CG-XX SOFA
1:20 PLAN

-REV/	-ISSUED FOR	-DATE

STUDIO MUNGE
 25 WINGOLD AVENUE
 TORONTO, ONTARIO
 M6B 1P8 CANADA
 416.588.1668
 STUDIOMUNGE.COM

-SCALE
AS NOTED

-DATE
12/19/19

-DRAWN BY
LS

-CHECKED BY

-PROJECT NAME

DIAO YU THAI

-DRAWING TITLE

CG-XX
SOFA

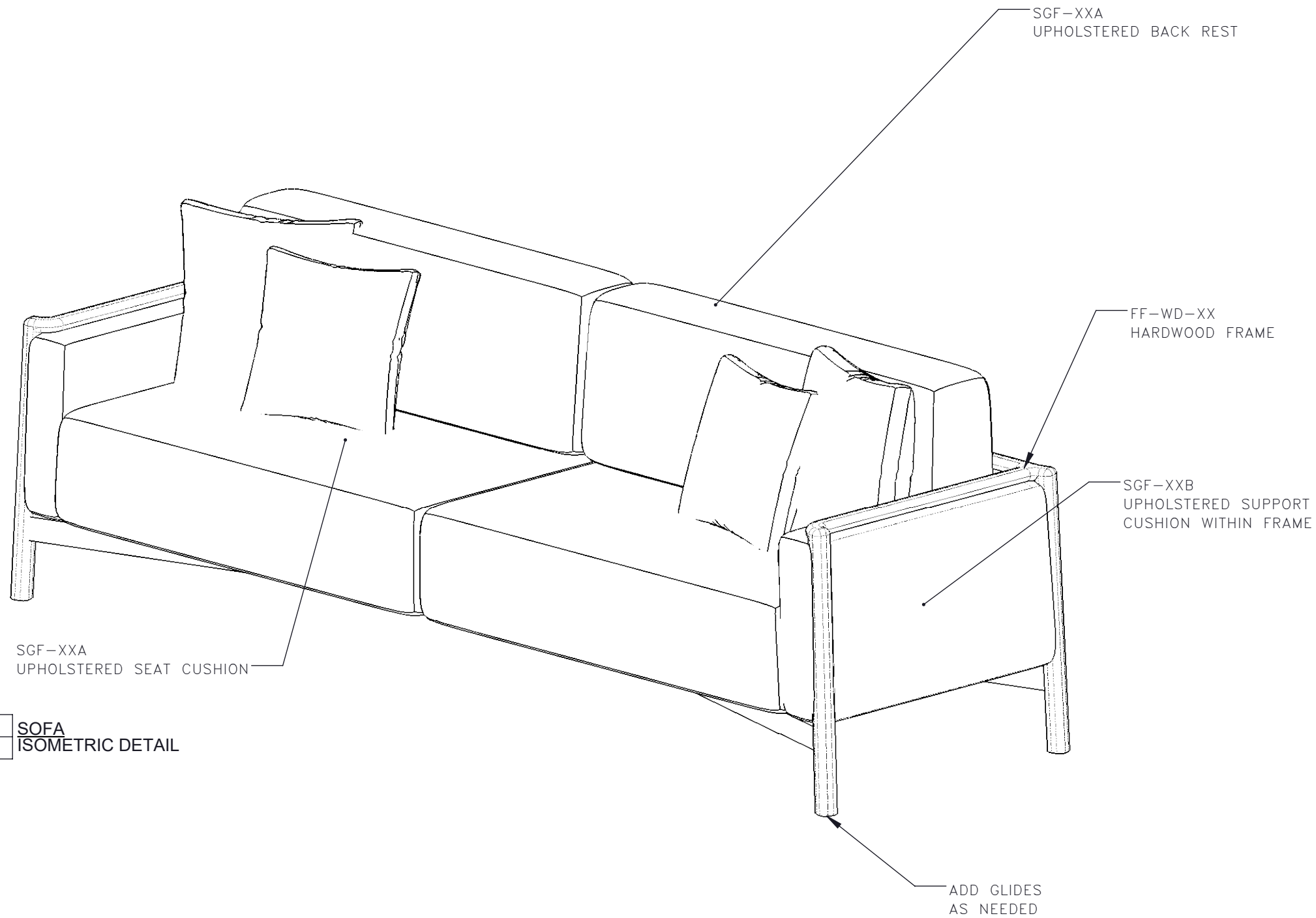
-PROJECT NUMBER
XXXXXX

-DRAWING NUMBER
1 / 4

FOR DESIGN INTENT ONLY

DRAWING ARE NOT TO BE SCALED. CONTRACTOR MUST CHECK AND VERIFY ALL JOB DIMENSIONS, DRAWINGS, DETAILS AND SPECIFICATIONS; AND REPORT ANY DISCREPANCIES TO DESIGNER BEFORE PROCEEDING WITH WORK.

-REV/	-ISSUED FOR	-DATE



4	CG-XX	SOFA ISOMETRIC DETAIL
	1:10	

**STUDIO
MUNGE**

25 WINGOLD AVENUE
TORONTO, ONTARIO
M6B 1P8 CANADA
416.588.1668
STUDIOMUNGE.COM

-SCALE AS NOTED	-DATE 12/19/19
-DRAWN BY LS	-CHECKED BY
-PROJECT NAME	
DIAO YU THAI	
-DRAWING TITLE	
CG-XX SOFA	
-PROJECT NUMBER XXXXXX	
-DRAWING NUMBER 2 / 4	

STUDIO MUNGE
Y
E
M
D
C
B
A
Y

1 2 3 4 5 6

FOR DESIGN INTENT ONLY

DRAWING ARE NOT TO BE SCALED. CONTRACTOR MUST CHECK AND VERIFY ALL JOB DIMENSIONS, DRAWINGS, DETAILS AND SPECIFICATIONS; AND REPORT ANY DISCREPANCIES TO DESIGNER BEFORE PROCEEDING WITH WORK.

-REV/	-ISSUED FOR	-DATE



**STUDIO
MUNGE**
25 WINGOLD AVENUE
TORONTO, ONTARIO
M6B 1P8 CANADA
416.588.1668
STUDIOMUNGE.COM

-SCALE
AS NOTED

-DATE
12/19/19

-DRAWN BY
LS

-CHECKED BY

-PROJECT NAME

DIAO YU THAI

-DRAWING TITLE

CG-XX
SOFA

-PROJECT NUMBER
XXXXXX

-DRAWING NUMBER
3 / 4

1 2 3 4 5 6

STUDIO MUNGE
Y
E
M
D
C
B
A
Y



FOR DESIGN INTENT ONLY

DRAWING ARE NOT TO BE SCALED. CONTRACTOR MUST CHECK AND VERIFY ALL JOB DIMENSIONS, DRAWINGS, DETAILS AND SPECIFICATIONS; AND REPORT ANY DISCREPANCIES TO DESIGNER BEFORE PROCEEDING WITH WORK.

-REV/	-ISSUED FOR	-DATE

STUDIO MUNGE
25 WINGOLD AVENUE
TORONTO, ONTARIO
M6B 1P8 CANADA
416.588.1668
STUDIOMUNGE.COM

-SCALE
AS NOTED

-DATE
12/19/19

-DRAWN BY
LS

-CHECKED BY

-PROJECT NAME

DIAO YU THAI

-DRAWING TITLE

CG-XX
SOFA

-PROJECT NUMBER
XXXXXX

-DRAWING NUMBER
4 / 4