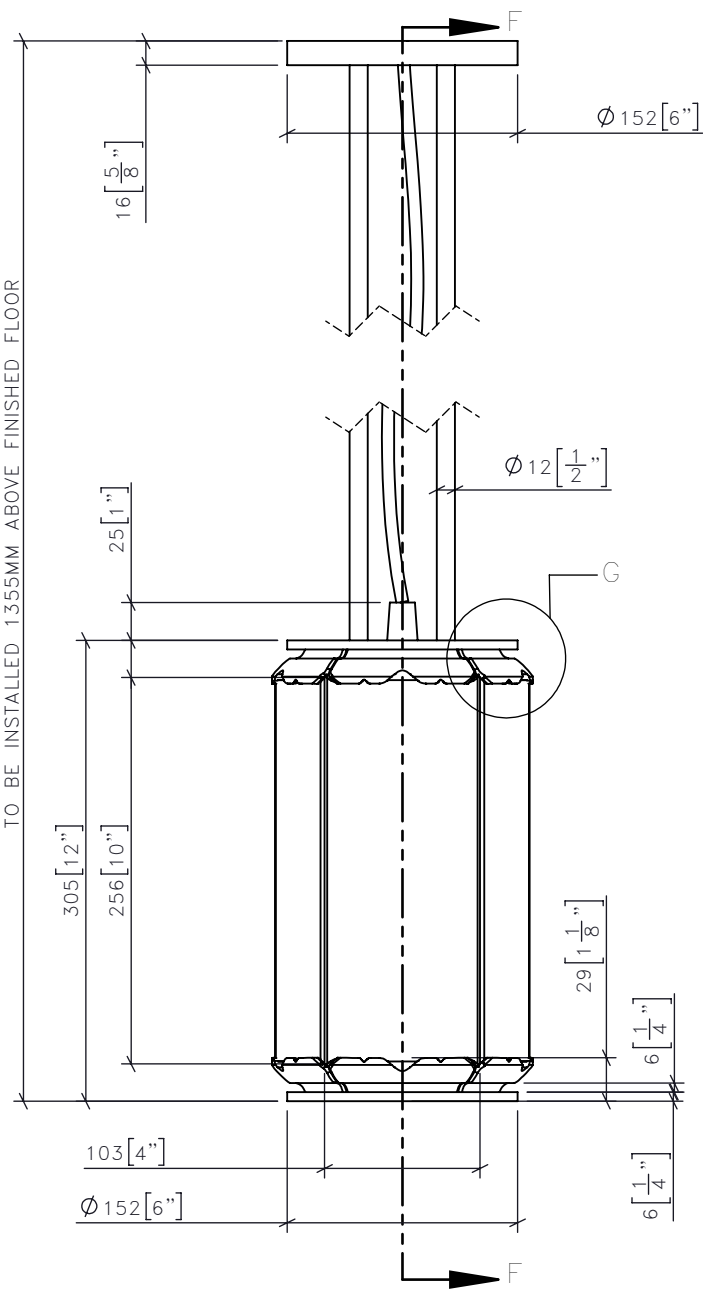
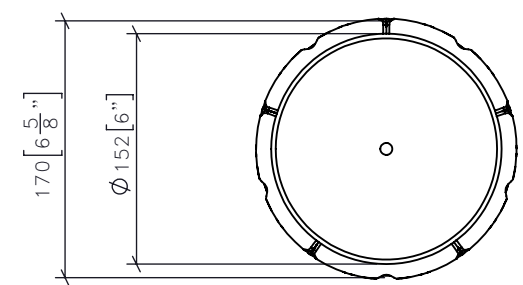


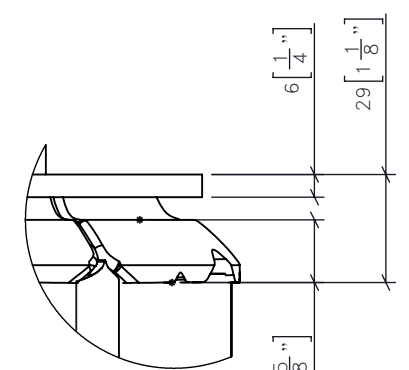
1484 [58 3/8"] SITE VERIFY
TO BE INSTALLED 1355MM ABOVE FINISHED FLOOR



1 LT-302 BATHROOM SCENCE
1:5 FRONT ELEVATION



2 LT-302 BATHROOM SCENCE
1:5 PLAN

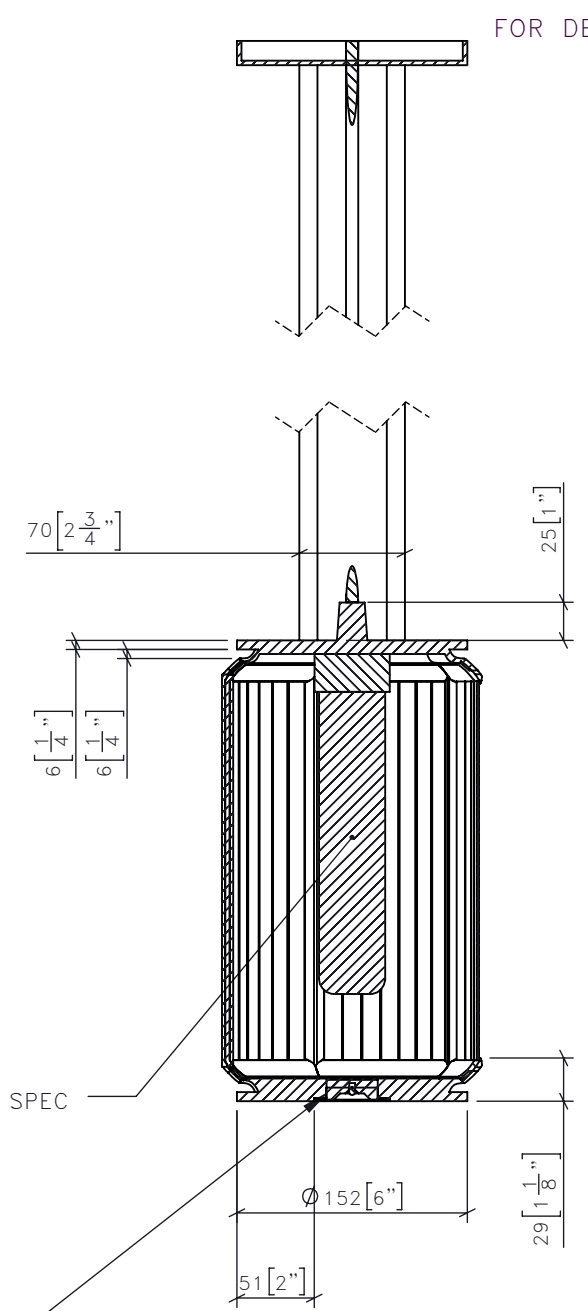


DETAIL G
SCALE 1 : 2

DIMMABLE LED LIGHTING
2700K - LIGHTING DESIGNER TO CONFIRM SPEC

INTERGRATED SPOT DOWNLIGHTING
MP LIGHTING L65 OR EQUIV.
2700K - 12 DEGREE BEAM
TO MATCH FF-ML-02

LIGHTING DESIGNER TO CONFIRM SPEC



3 LT-302 BATHROOM SCENCE
1:5 SECTION F-F

DRAWING ARE NOT TO BE SCALED. CONTRACTOR MUST CHECK AND VERIFY ALL JOB DIMENSIONS, DRAWINGS, DETAILS AND SPECIFICATIONS; AND REPORT ANY DISCREPANCIES TO DESIGNER BEFORE PROCEEDING WITH WORK.

-REV/	-ISSUED FOR	-DATE

STUDIO MUNGE
25 WINGOLD AVENUE
TORONTO, ONTARIO
M6B 1P8 CANADA
416.588.1668
STUDIOMUNGE.COM

-SCALE AS NOTED	-DATE 2/25/20
-DRAWN BY LS	-CHECKED BY
-PROJECT NAME DAIYUTAI QINGDAO	
-DRAWING TITLE LT-302 BATHROOM SCENCE	
-PROJECT NUMBER 19118	
-DRAWING NUMBER 1 / 3	

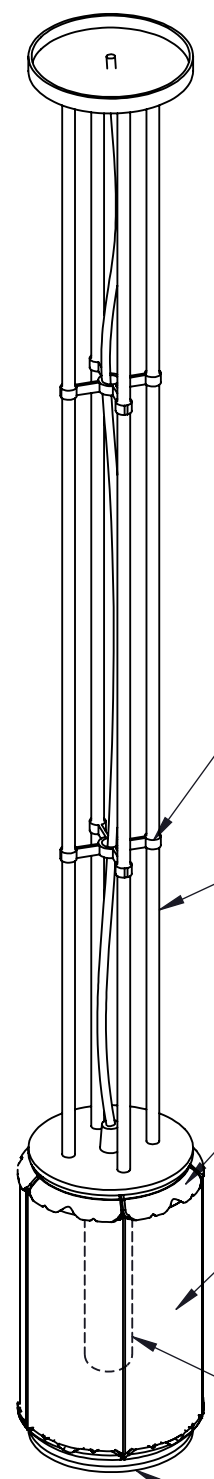
STUDIO MUNGE

NOTE: MANUFACTURE TO INSURE SERVICABILITY OF LIGHT FIXTURES
 NOTE: ALL COMPONENTS AND FINISHES TO ENSURE DURABILITY FOR WET SPACE

FOR DESIGN INTENT ONLY

DRAWING ARE NOT TO BE SCALED. CONTRACTOR MUST CHECK AND VERIFY ALL JOB DIMENSIONS, DRAWINGS, DETAILS AND SPECIFICATIONS; AND REPORT ANY DISCREPANCIES TO DESIGNER BEFORE PROCEEDING WITH WORK.

REV	ISSUED FOR	DATE



- CUSTOM SUPPORT BRACKETS AND WIRE CHANNEL
FF-ML-02
- METAL POST
FF-ML-02
- MACHINED METAL CAPS
FF-ML-02
- FLUTED GLASS INTERIOR
4MM
FF-GL-01
- DIMMABLE LED LIGHTING
2700K - LIGHTING DESIGNER TO CONFIRM SPEC
- INTERGRATED SPOT DOWNLIGHTING
MP LIGHTING L65 OR EQUIV.
2700K - 12 DEGREE BEAM
TO MATCH FF-ML-02
LIGHTING DESIGNER TO CONFIRM SPEC

4	LT-302	BATHROOM SCONCE ISOMETIRC
	1:5	

STUDIO MUNGE
 25 WINGOLD AVENUE
 TORONTO, ONTARIO
 M6B 1P8 CANADA
 416.588.1668
 STUDIOMUNGE.COM

-SCALE AS NOTED	-DATE 2/25/20
-DRAWN BY LS	-CHECKED BY
-PROJECT NAME DAIYUTAI QINGDAO	
-DRAWING TITLE LT-302 BATHROOM SCONCE	
-PROJECT NUMBER 19118	
-DRAWING NUMBER 2 / 3	

STUDIO MUNGE
E
D
C
B
A
Y

FOR DESIGN INTENT ONLY

DRAWING ARE NOT TO BE SCALED. CONTRACTOR MUST CHECK AND VERIFY ALL JOB DIMENSIONS, DRAWINGS, DETAILS AND SPECIFICATIONS; AND REPORT ANY DISCREPANCIES TO DESIGNER BEFORE PROCEEDING WITH WORK.

-REV/	-ISSUED FOR	-DATE

**STUDIO
MUNGE**
25 WINGOLD AVENUE
TORONTO, ONTARIO
M6B 1P8 CANADA
416.588.1668
STUDIOMUNGE.COM

-SCALE
AS NOTED

-DATE
2/25/20

-DRAWN BY
LS

-CHECKED BY

-PROJECT NAME

DAIYUTAI QINGDAO

-DRAWING TITLE

LT-302
BATHROOM SCONCE

-PROJECT NUMBER
19118

-DRAWING NUMBER
3 / 3



5	LT-302	BATHROOM SCONCE RENDERED DETAIL
	1:5	