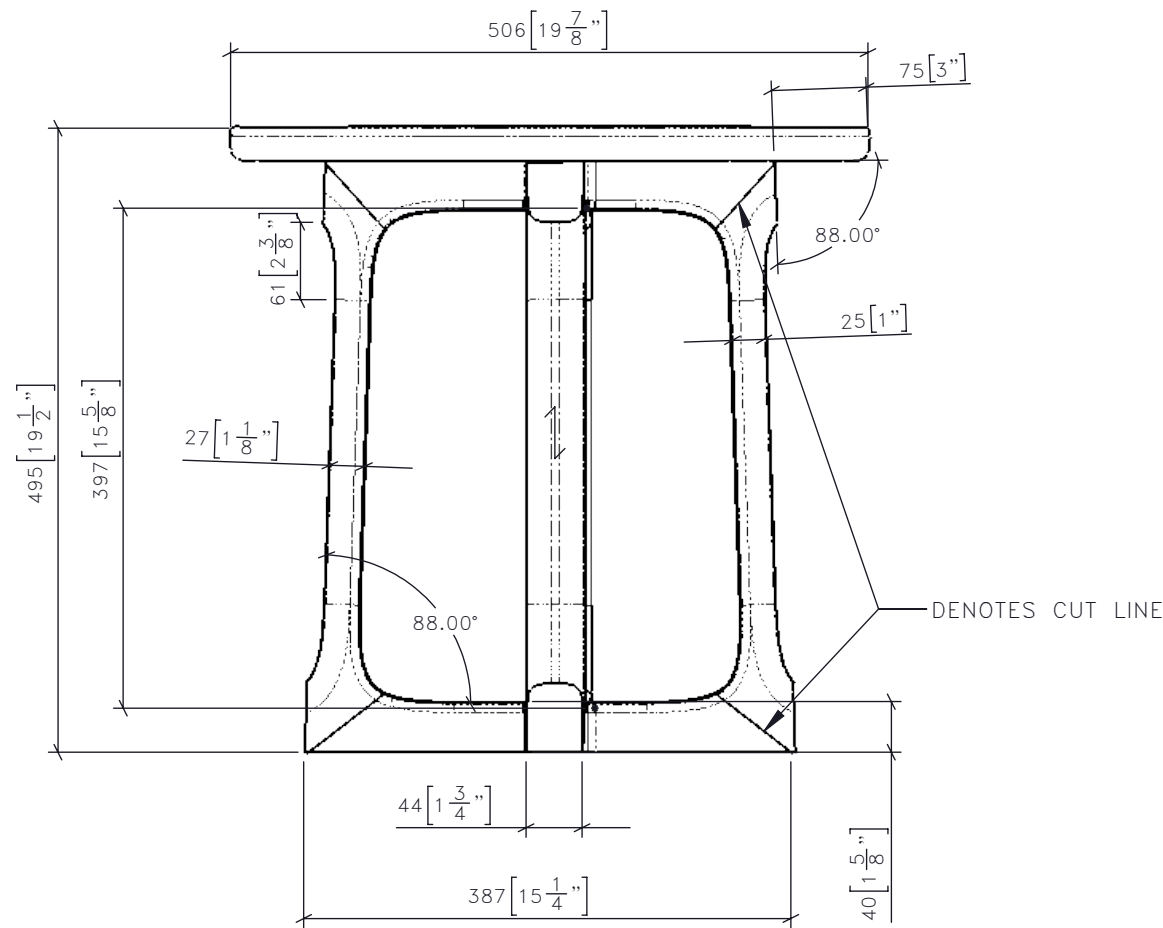


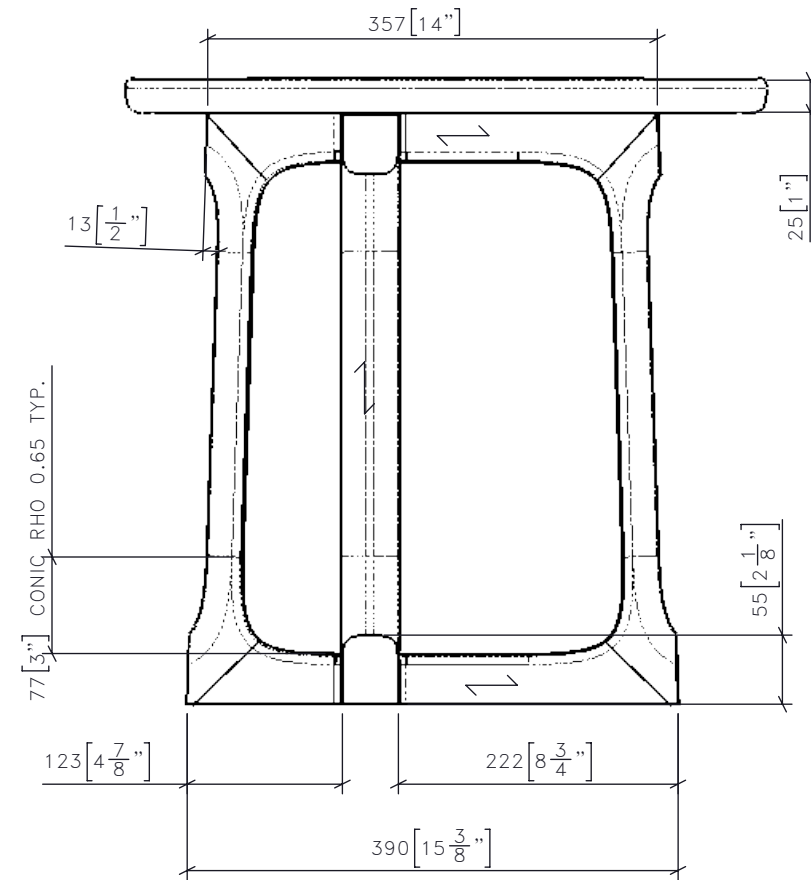
FOR DESIGN INTENT ONLY

DRAWING ARE NOT TO BE SCALED. CONTRACTOR MUST CHECK AND VERIFY ALL JOB DIMENSIONS, DRAWINGS, DETAILS AND SPECIFICATIONS, AND REPORT ANY DISCREPANCIES TO DESIGNER BEFORE PROCEEDING WITH WORK.

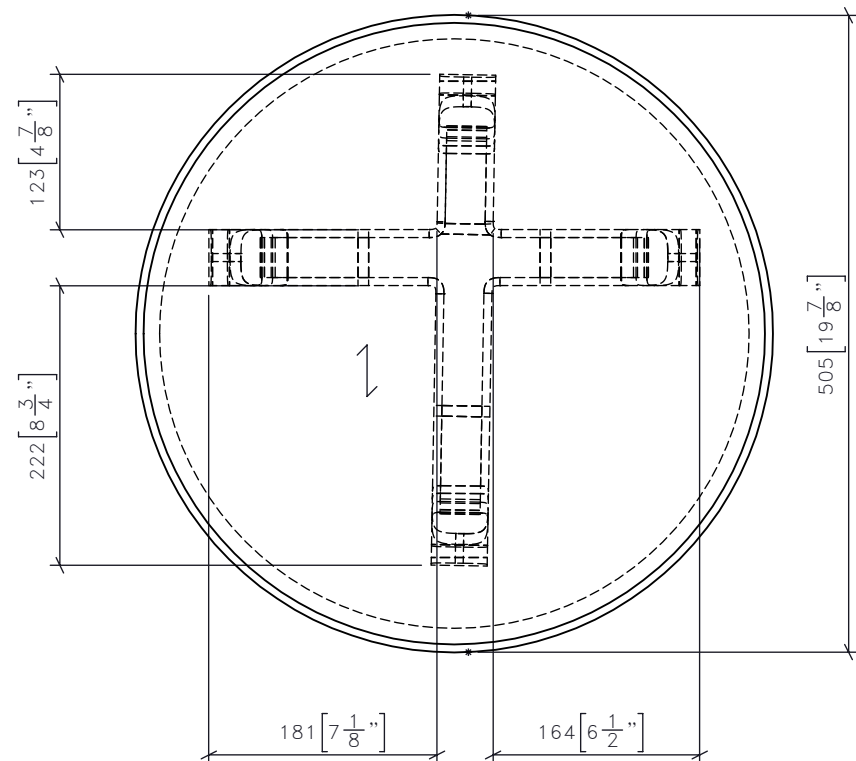
-REV/	-ISSUED FOR	-DATE



1 CG-308 SIDE TABLE
1:6 FRONT ELEVATION



3 CG-308 SIDE TABLE
1:6 SIDE ELEVATION



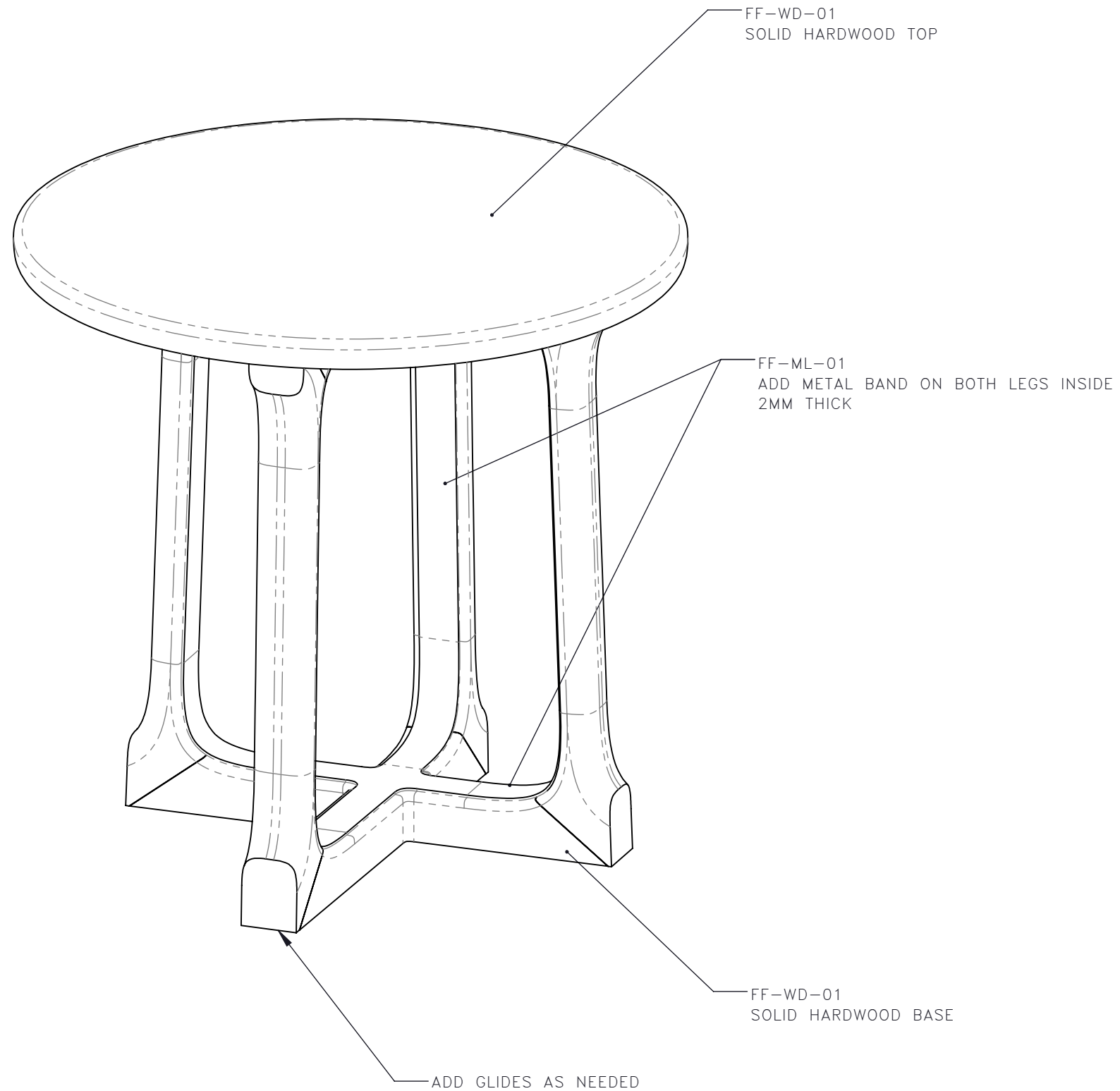
2 CG-308 SIDE TABLE
1:6 PLAN (HIDDEN LINES SHOWN)

-SCALE	AS NOTED	-DATE	11/16/20
-DRAWN BY	RC	-CHECKED BY	
-PROJECT NAME	DIAOYUTAI		
-DRAWING TITLE	CG-308 SIDE TABLE		
-PROJECT NUMBER	19118		
-DRAWING NUMBER	1 / 3		

STUDIO MUNGE
E
D
C
B
A
Y

FOR DESIGN INTENT ONLY

DRAWING ARE NOT TO BE SCALED. CONTRACTOR MUST CHECK AND VERIFY ALL JOB DIMENSIONS, DRAWINGS, DETAILS AND SPECIFICATIONS; AND REPORT ANY DISCREPANCIES TO DESIGNER BEFORE PROCEEDING WITH WORK.



-REV/	-ISSUED FOR	-DATE

**STUDIO
MUNGE**
25 WINGOLD AVENUE
TORONTO, ONTARIO
M6B 1P8 CANADA
416.588.1668
STUDIOMUNGE.COM

-SCALE
AS NOTED

-DATE
11/16/20

-DRAWN BY
RC

-CHECKED BY

-PROJECT NAME

DIAOYUTAI

-DRAWING TITLE

CG-308
SIDE TABLE

-PROJECT NUMBER
19118

-DRAWING NUMBER
2 / 3

4 | CG-308 | SIDE TABLE
1:4 | ISOMETRIC FRONT

STUDIO MUNGE
E
F
D
C
B
A
Y

FOR DESIGN INTENT ONLY

DRAWING ARE NOT TO BE SCALED. CONTRACTOR MUST CHECK AND VERIFY ALL JOB DIMENSIONS, DRAWINGS, DETAILS AND SPECIFICATIONS; AND REPORT ANY DISCREPANCIES TO DESIGNER BEFORE PROCEEDING WITH WORK.



4	CG-308	SIDE TABLE RENDERED VEIW
	1:4	

-REV/	-ISSUED FOR	-DATE

**STUDIO
MUNGE**
25 WINGOLD AVENUE
TORONTO, ONTARIO
M6B 1P8 CANADA
416.588.1668
STUDIOMUNGE.COM

-SCALE AS NOTED	-DATE 11/16/20
---------------------------	--------------------------

-DRAWN BY RC	-CHECKED BY
------------------------	--------------------

-PROJECT NAME

DIAOYUTAI

-DRAWING TITLE

CG-308
SIDE TABLE

-PROJECT NUMBER 19118

-DRAWING NUMBER 3 / 3
