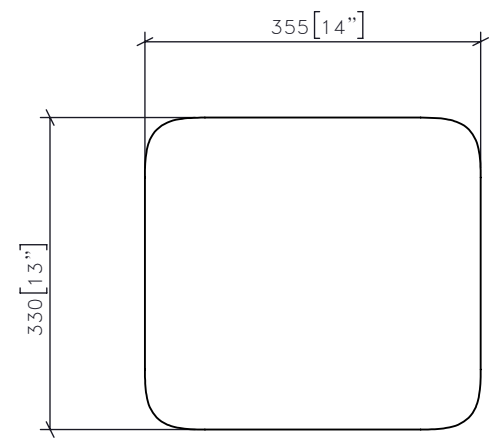
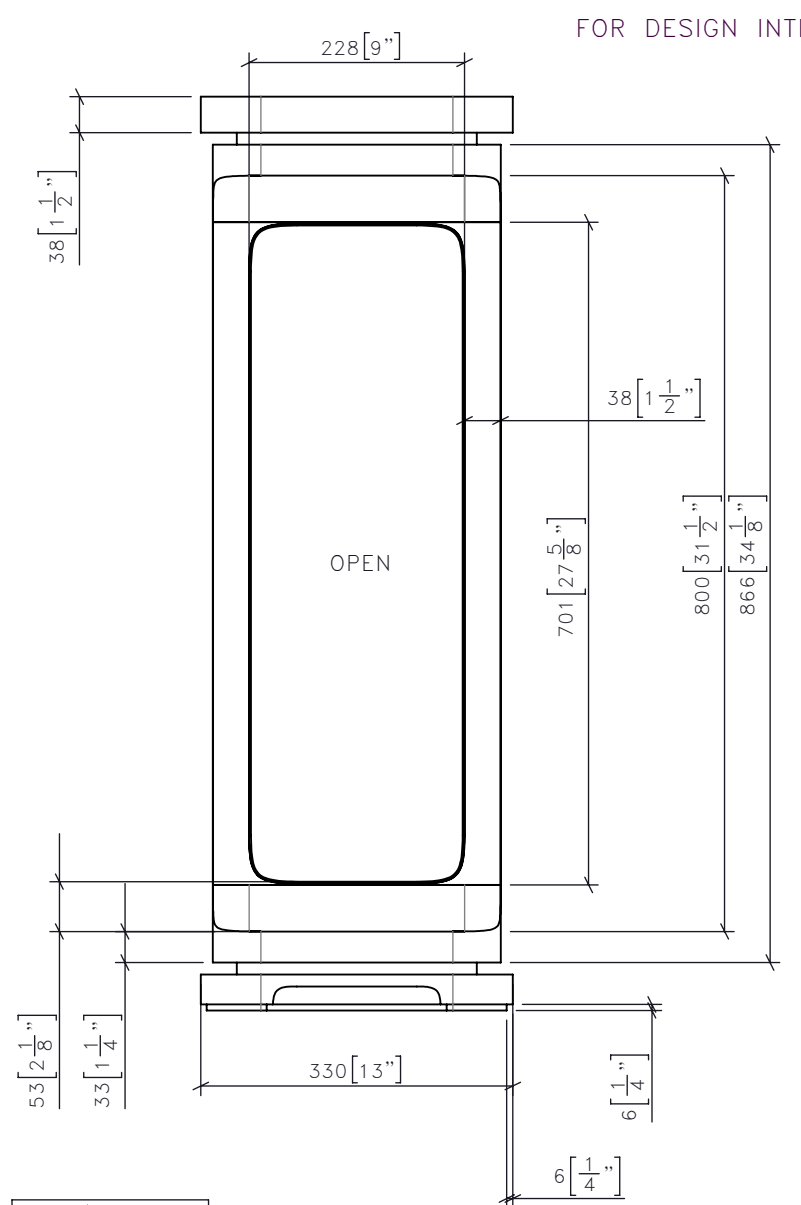


1 CG-305 PLINTH FRONT ELEVATION
1:8



2 CG-305 PLINTH PLAN
1:8



3 CG-305 PLINTH SIDE ELEVATION
1:8

FOR DESIGN INTENT ONLY

DRAWING ARE NOT TO BE SCALED. CONTRACTOR MUST CHECK AND VERIFY ALL JOB DIMENSIONS, DRAWINGS, DETAILS AND SPECIFICATIONS; AND REPORT ANY DISCREPANCIES TO DESIGNER BEFORE PROCEEDING WITH WORK.

-REV/	-ISSUED FOR	-DATE

STUDIO MUNGE
25 WINGOLD AVENUE
TORONTO, ONTARIO
M6B 1P8 CANADA
416.588.1668
STUDIOMUNGE.COM

-SCALE AS NOTED
-DATE 11/16/20

-DRAWN BY RC
-CHECKED BY

-PROJECT NAME

DIAOYUTAI QINGDAO

-DRAWING TITLE

CG-305
PLINTH

-PROJECT NUMBER
19118

-DRAWING NUMBER
1 / 3

STUDIO MUNGE
E
D
C
B
A
Y

FOR DESIGN INTENT ONLY

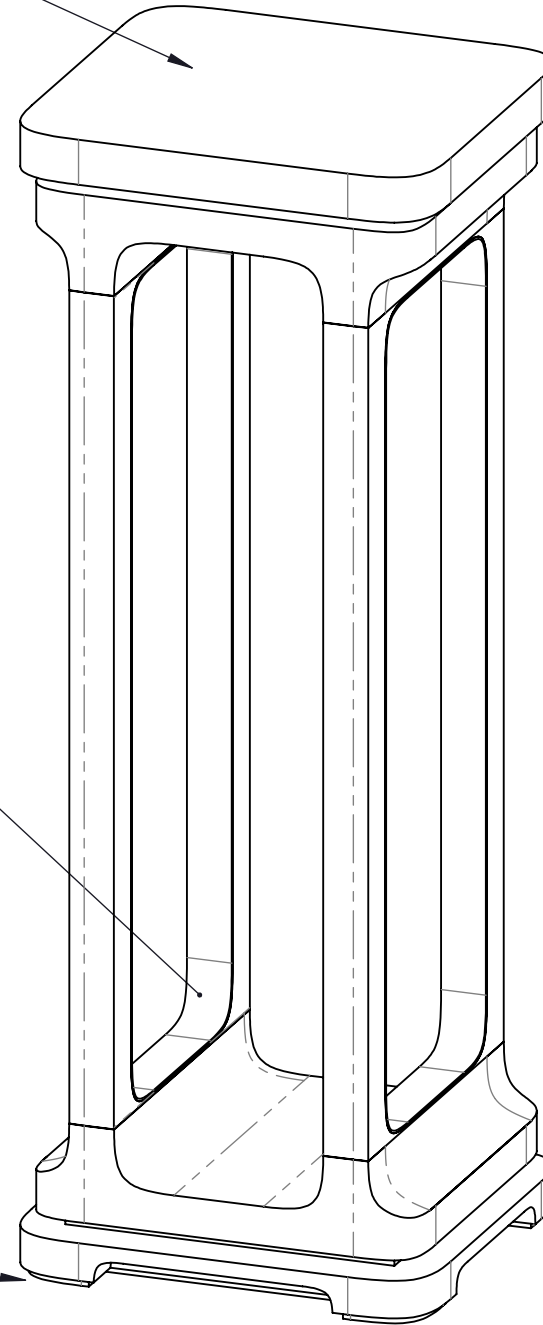
DRAWING ARE NOT TO BE SCALED. CONTRACTOR MUST CHECK AND VERIFY ALL JOB DIMENSIONS, DRAWINGS, DETAILS AND SPECIFICATIONS; AND REPORT ANY DISCREPANCIES TO DESIGNER BEFORE PROCEEDING WITH WORK.

FF-PT-01
WOODEN CONSTRUCTION
PLINTH

PAINTED BLACK LACQUER

FF-ML-01
METAL TRIM DETAIL WITHIN

ADD LOW-PROFILE LEVELING GLIDES AS NEEDED



-REV/	-ISSUED FOR	-DATE

**STUDIO
MUNGE**
25 WINGOLD AVENUE
TORONTO, ONTARIO
M6B 1P8 CANADA
416.588.1668
STUDIOMUNGE.COM

-SCALE
AS NOTED

-DATE
11/16/20

-DRAWN BY
RC

-CHECKED BY

-PROJECT NAME

DIAOYUTAI QINGDAO

-DRAWING TITLE

CG-305
PLINTH

-PROJECT NUMBER
19118

-DRAWING NUMBER
2 / 3

5 | CG-305 | **PLINTH**
1:6 | ISOMETRIC FRONT

STUDIO MUNGE
E
F
D
C
B
A
Y

FOR DESIGN INTENT ONLY

DRAWING ARE NOT TO BE SCALED. CONTRACTOR MUST CHECK AND VERIFY ALL JOB DIMENSIONS, DRAWINGS, DETAILS AND SPECIFICATIONS; AND REPORT ANY DISCREPANCIES TO DESIGNER BEFORE PROCEEDING WITH WORK.

-REV/	-ISSUED FOR	-DATE



STUDIO MUNGE
25 WINGOLD AVENUE
TORONTO, ONTARIO
M6B 1P8 CANADA
416.588.1668
STUDIOMUNGE.COM

-SCALE
AS NOTED

-DATE
11/16/20

-DRAWN BY
RC

-CHECKED BY

-PROJECT NAME

DIAOYUTAI QINGDAO

-DRAWING TITLE

CG-305
PLINTH

-PROJECT NUMBER
19118

-DRAWING NUMBER
3 / 3

4	CG-305	PLINTH RENDERED VIEW
	1:10	