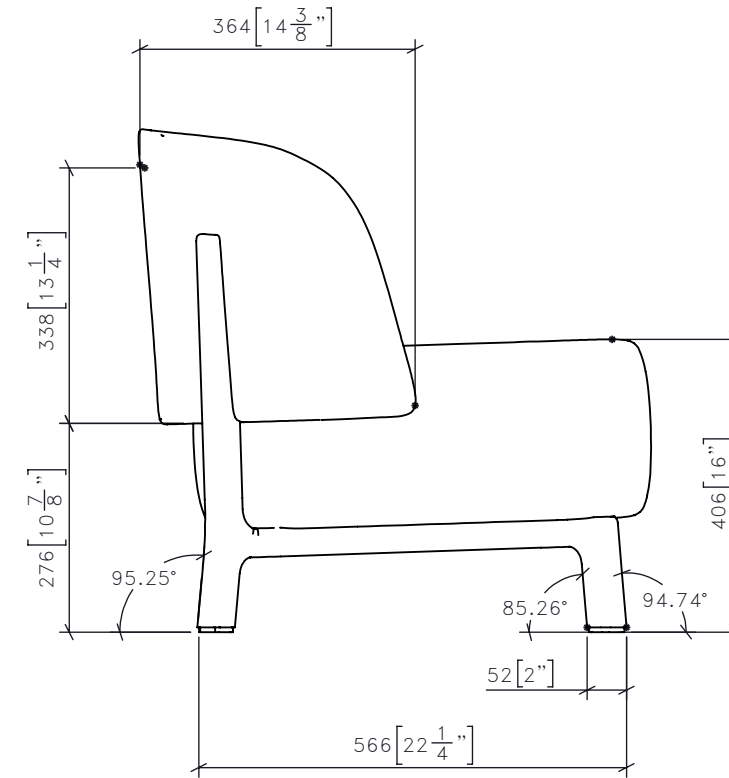
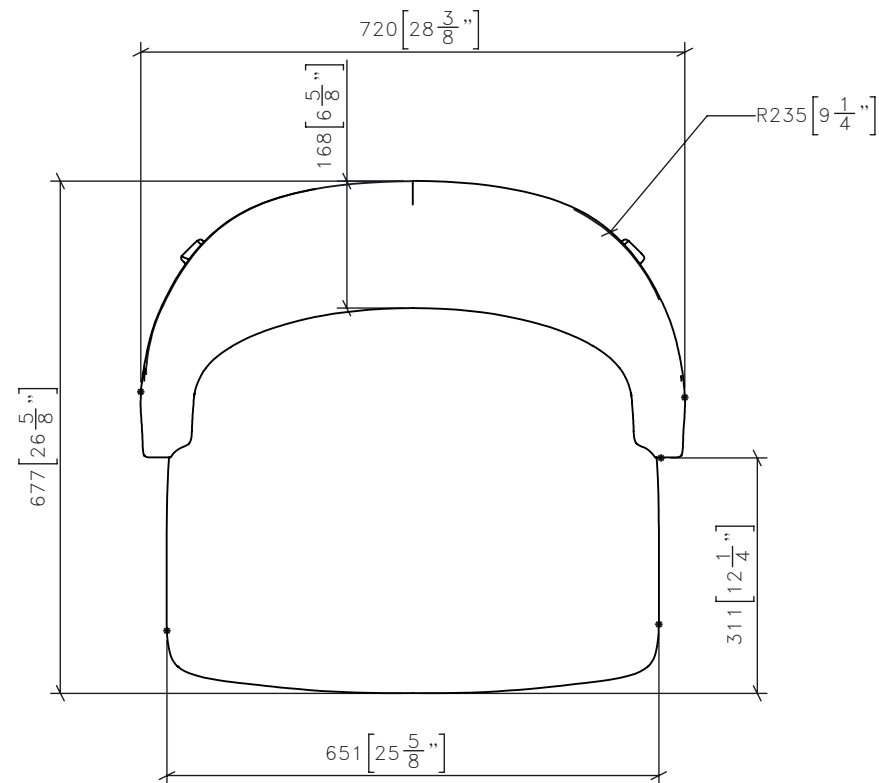


1 | SG-106 | LOUNGE CHAIR SMALL
1:10 | FRONT ELEVATION



3 | SG-106 | LOUNGE CHAIR SMALL
1:10 | SIDE ELEVATION



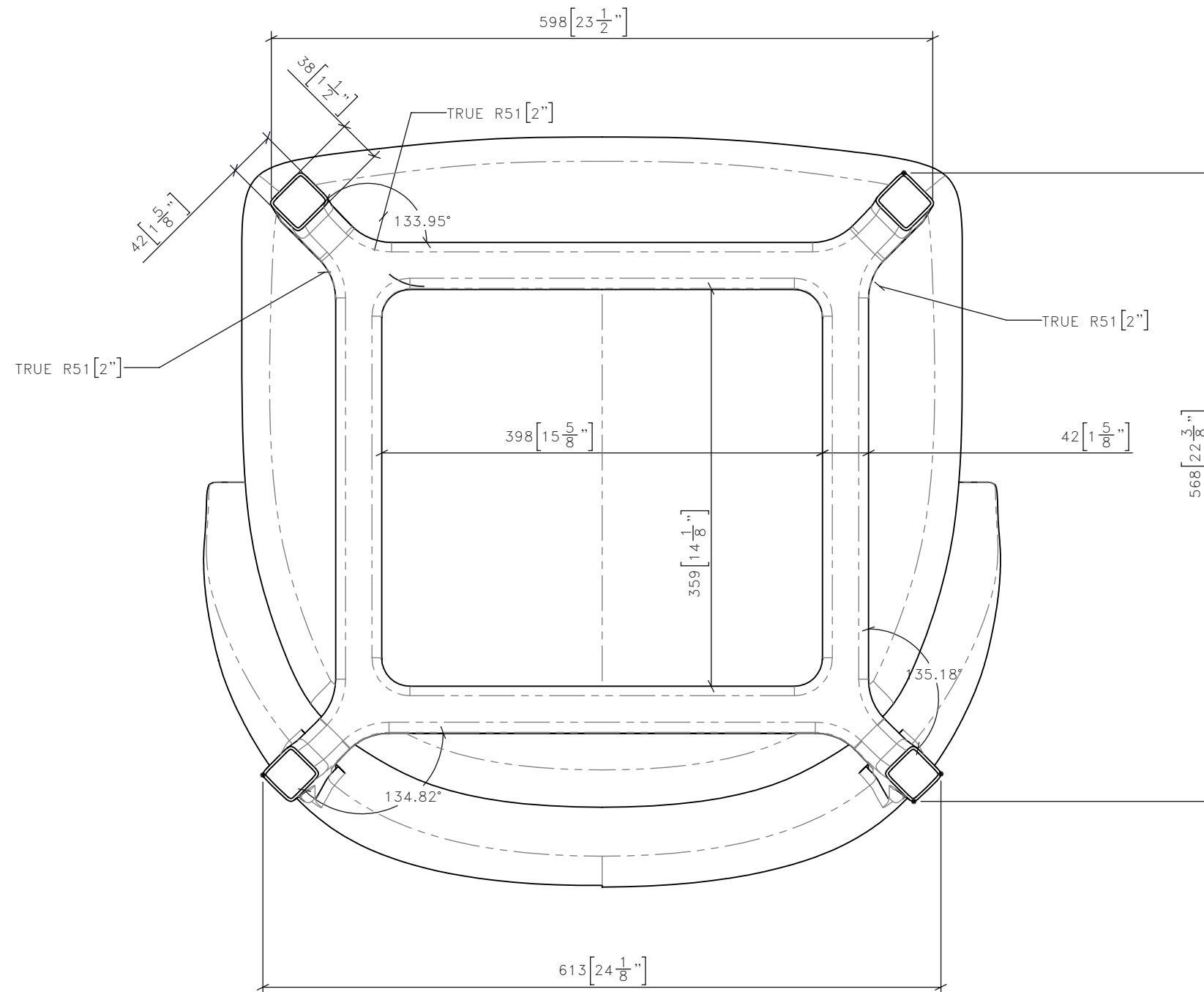
2 | SG-106 | LOUNGE CHAIR SMALL
1:10 | PLAN

| -REV/ | -ISSUED FOR | -DATE |
|-------|-------------|-------|
| | | |

STUDIO MUNGE
25 WINGOLD AVENUE
TORONTO, ONTARIO
M6B 1P8 CANADA
416.588.1668
STUDIOMUNGE.COM

| | | | |
|-----------------|------------------------------|-------------|----------|
| -SCALE | AS NOTED | -DATE | 11/17/20 |
| -DRAWN BY | RC | -CHECKED BY | |
| -PROJECT NAME | DIAOYUTAI QINGDAO | | |
| -DRAWING TITLE | SG-106 LOUNGE CHAIR SMALL | | |
| -PROJECT NUMBER | 191118 | | |
| -DRAWING NUMBER | 1 / 5 | | |

| -REV/ | -ISSUED FOR | -DATE |
|-------|-------------|-------|
| | | |



STUDIO MUNGE
 25 WINGOLD AVENUE
 TORONTO, ONTARIO
 M6B 1P8 CANADA
 416.588.1668
 STUDIOMUNGE.COM

-SCALE
AS NOTED

-DATE
11/17/20

-DRAWN BY
RC

-CHECKED BY

-PROJECT NAME
DIAOYUTAI QINGDAO

-DRAWING TITLE
SG-106
LOUNGE CHAIR SMALL

-PROJECT NUMBER
191118

-DRAWING NUMBER
2 / 5

4 | SG-106 | **LOUNGE CHAIR SMALL**
1:5 | **BOTTOM VIEW**

STUDIO MUNGE

FOR DESIGN INTENT ONLY

DRAWING ARE NOT TO BE SCALED. CONTRACTOR MUST CHECK AND VERIFY ALL JOB DIMENSIONS, DRAWINGS, DETAILS AND SPECIFICATIONS; AND REPORT ANY DISCREPANCIES TO DESIGNER BEFORE PROCEEDING WITH WORK.

SGF-106B OUTSIDE ONLY
TIGHT UPHOLSTERED
CUSHION

BLIND STITCH

FF-WD-01
SOLID HARDWOOD FRAME
CONSTRUCTION

SGF-106A INSIDE ONLY
TIGHT UPHOLSTERED
CUSHION
BLIND STITCH

SGF-106A
TIGHT UPHOLSTERED
CUSHION
BLIND STITCH

FF-ML-01
METAL DETAIL ON FEET

FF-WD-01
SOLID HARDWOOD FRAME
CONSTRUCTION

ADD GLIDES AS NEEDED

| -REV/ | -ISSUED FOR | -DATE |
|-------|-------------|-------|
| | | |

**STUDIO
MUNGE** 25 WINGOLD AVENUE
TORONTO, ONTARIO
M6B 1P8 CANADA
416.588.1668
STUDIOMUNGE.COM

-SCALE
AS NOTED **-DATE**
11/17/20

-DRAWN BY
RC **-CHECKED BY**

-PROJECT NAME
DIAOYUTAI QINGDAO

-DRAWING TITLE
SG-106
LOUNGE CHAIR SMALL

-PROJECT NUMBER
19118

-DRAWING NUMBER
3 / 5

5 | SG-106 | **LOUNGE CHAIR SMALL**
1:5 | ISOMETRIC DETAIL

STUDIO MUNGE
E
D
C
B
A
Y

FOR DESIGN INTENT ONLY

DRAWING ARE NOT TO BE SCALED. CONTRACTOR MUST CHECK AND VERIFY ALL JOB DIMENSIONS, DRAWINGS, DETAILS AND SPECIFICATIONS; AND REPORT ANY DISCREPANCIES TO DESIGNER BEFORE PROCEEDING WITH WORK.

| -REV/ | -ISSUED FOR | -DATE |
|-------|-------------|-------|
| | | |



**STUDIO
MUNGE**
25 WINGOLD AVENUE
TORONTO, ONTARIO
M6B 1P8 CANADA
416.588.1668
STUDIOMUNGE.COM

-SCALE
AS NOTED

-DATE
11/17/20

-DRAWN BY
RC

-CHECKED BY

-PROJECT NAME

DIAOYUTAI QINGDAO

-DRAWING TITLE

SG-106
LOUNGE CHAIR SMALL

-PROJECT NUMBER
191118

-DRAWING NUMBER
4 / 5

| | | |
|---|--------|-------------------------------------|
| 6 | SG-106 | LOUNGE CHAIR SMALL RENDERED VIEW |
| | 1:5 | |

STUDIO MUNGE
E
F
D
C
B
A
Y

FOR DESIGN INTENT ONLY

DRAWING ARE NOT TO BE SCALED. CONTRACTOR MUST CHECK AND VERIFY ALL JOB DIMENSIONS, DRAWINGS, DETAILS AND SPECIFICATIONS; AND REPORT ANY DISCREPANCIES TO DESIGNER BEFORE PROCEEDING WITH WORK.

| -REV/ | -ISSUED FOR | -DATE |
|-------|-------------|-------|
| | | |



**STUDIO
MUNGE**
25 WINGOLD AVENUE
TORONTO, ONTARIO
M6B 1P8 CANADA
416.588.1668
STUDIOMUNGE.COM

-SCALE AS NOTED
-DATE 11/17/20

-DRAWN BY RC
-CHECKED BY

-PROJECT NAME
DIAOYUTAI QINGDAO

-DRAWING TITLE
SG-106
LOUNGE CHAIR SMALL

-PROJECT NUMBER
191118

-DRAWING NUMBER
5 / 5

7 | SG-106 | LOUNGE CHAIR SMALL
1:5 | RENDERED VIEW