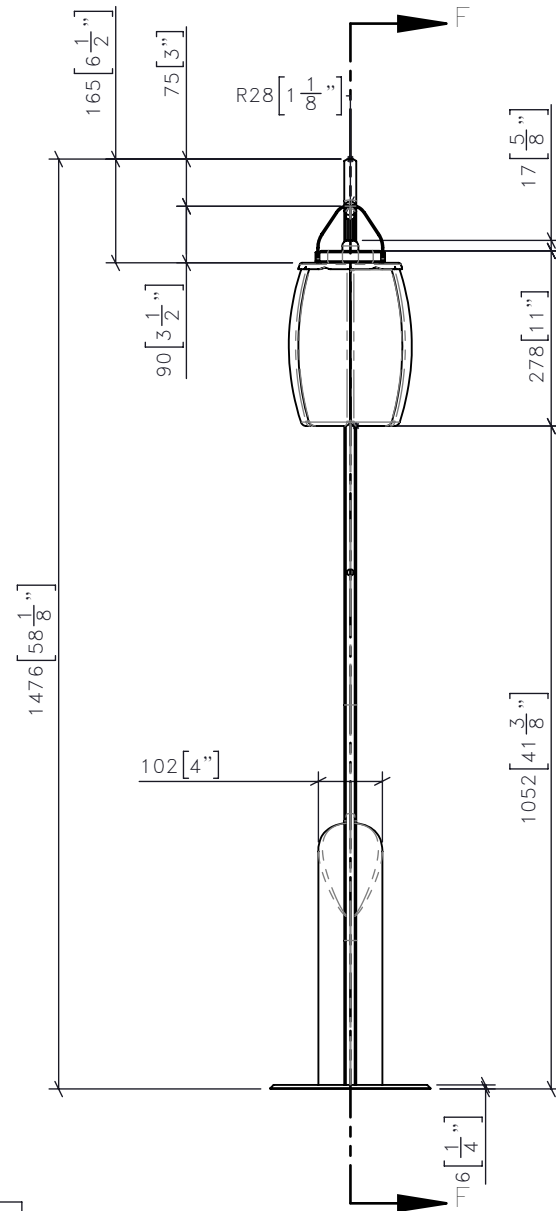
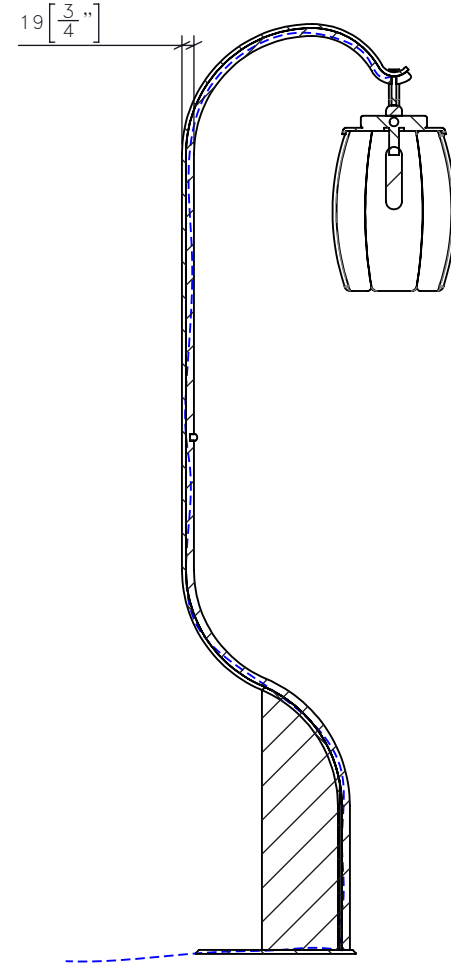


FOR DESIGN INTENT ONLY

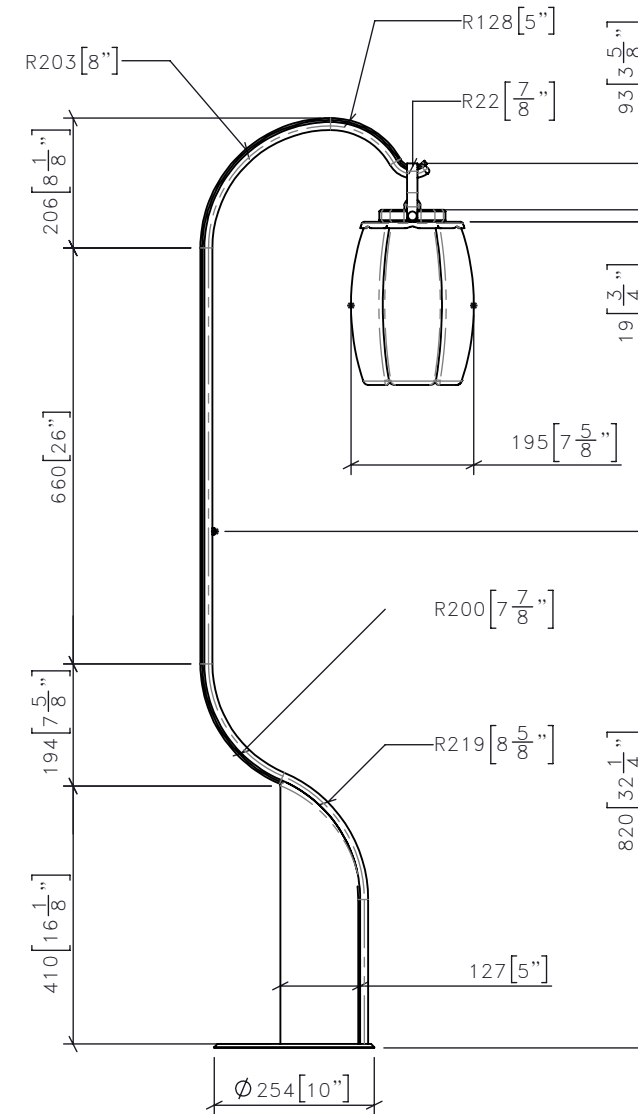
DRAWING ARE NOT TO BE SCALED. CONTRACTOR MUST CHECK AND VERIFY ALL JOB DIMENSIONS, DRAWINGS, DETAILS AND SPECIFICATIONS, AND REPORT ANY DISCREPANCIES TO DESIGNER BEFORE PROCEEDING WITH WORK.



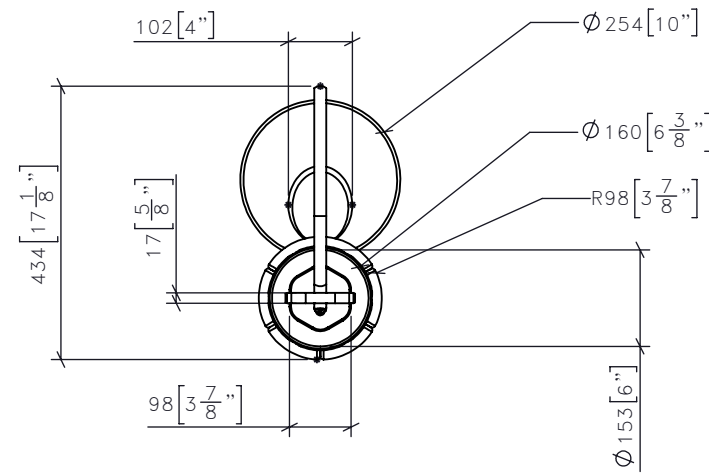
1 LA-301 FLOOR LAMP FRONT ELEVATION
1:12



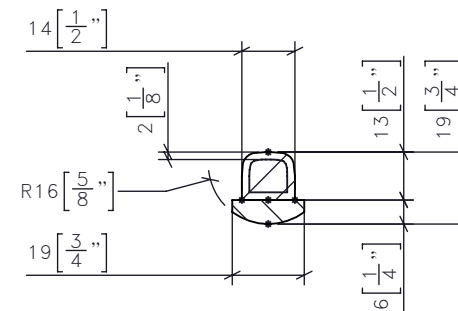
3 LA-301 FLOOR LAMP SECTION F-F
1:12



4 LA-301 FLOOR LAMP SIDE ELEVATION
1:12



2 LA-301 FLOOR LAMP PLAN
1:12



5 LA-301 FLOOR LAMP CUSTOM EXTRUSION PROFILE
1:12

-REV/	-ISSUED FOR	-DATE
<p>STUDIO MUNGE 25 WINGOLD AVENUE TORONTO, ONTARIO M6B 1P8 CANADA 416.588.1668 STUDIOMUNGE.COM</p>		
-SCALE	-DATE	
AS NOTED	2/25/20	
-DRAWN BY	-CHECKED BY	
RC		
-PROJECT NAME		
DIAOYUTAI QINGDAO		
-DRAWING TITLE		
LA-301 FLOOR LAMP		
-PROJECT NUMBER		
19118		
-DRAWING NUMBER		
1 / 3		

STUDIO MUNGE

FOR DESIGN INTENT ONLY

DRAWING ARE NOT TO BE SCALED. CONTRACTOR MUST CHECK AND VERIFY ALL JOB DIMENSIONS, DRAWINGS, DETAILS AND SPECIFICATIONS; AND REPORT ANY DISCREPANCIES TO DESIGNER BEFORE PROCEEDING WITH WORK.

-REV/	-ISSUED FOR	-DATE

STUDIO MUNGE
 25 WINGOLD AVENUE
 TORONTO, ONTARIO
 M6B 1P8 CANADA
 416.588.1668
 STUDIOMUNGE.COM

-SCALE AS NOTED	-DATE 2/25/20
-DRAWN BY RC	-CHECKED BY
-PROJECT NAME DIAOYUTAI QINGDAO	
-DRAWING TITLE LA-301 FLOOR LAMP	
-PROJECT NUMBER 19118	
-DRAWING NUMBER 2 / 3	

LAF-301
LEATHER STRAPPING

FF-ML-01
CUSTOM
PROFILE
EXTURSION

FF-GL-01
GLASS DIFFUSER

LED LIGHT SOURCE
DIMMABLE
2700K
LIGHTING DESIGNER TO
CONSULT ON BULB SPEC



REFERENCE IMAGE A.

DIMPLE SWITCH
3 DIM-SETTINGS
FF-ML-01

FF-ST-03
STONE BASE

CORD TO BE
PLUGGED
INTO SPACE

FF-ML-01
METAL BASE

4	LA-301	FLOOR LAMP ISOMETRIC FRONT
	1:6	

STUDIO MUNGE
E
F
D
C
B
A
Y

FOR DESIGN INTENT ONLY

DRAWING ARE NOT TO BE SCALED. CONTRACTOR MUST CHECK AND VERIFY ALL JOB DIMENSIONS, DRAWINGS, DETAILS AND SPECIFICATIONS; AND REPORT ANY DISCREPANCIES TO DESIGNER BEFORE PROCEEDING WITH WORK.

-REV/	-ISSUED FOR	-DATE

**STUDIO
MUNGE**
25 WINGOLD AVENUE
TORONTO, ONTARIO
M6B 1P8 CANADA
416.588.1668
STUDIOMUNGE.COM

-SCALE
AS NOTED

-DATE
2/25/20

-DRAWN BY
RC

-CHECKED BY

-PROJECT NAME

DIAOYUTAI QINGDAO

-DRAWING TITLE

LA-301
FLOOR LAMP

-PROJECT NUMBER
19118

-DRAWING NUMBER
3 / 3

5	LA-301	FLOOR LAMP RENDERED VIEW
	1:6	

