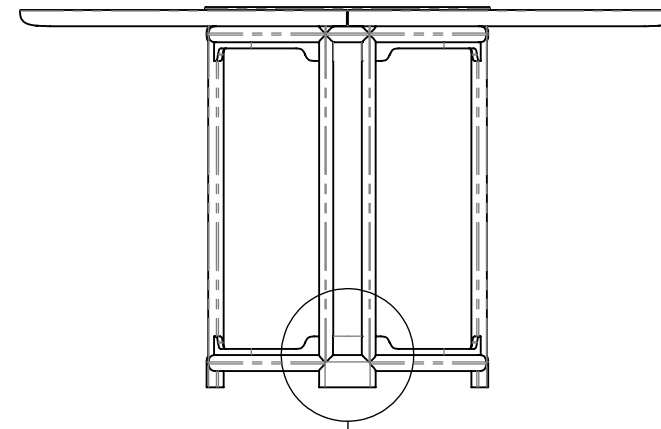
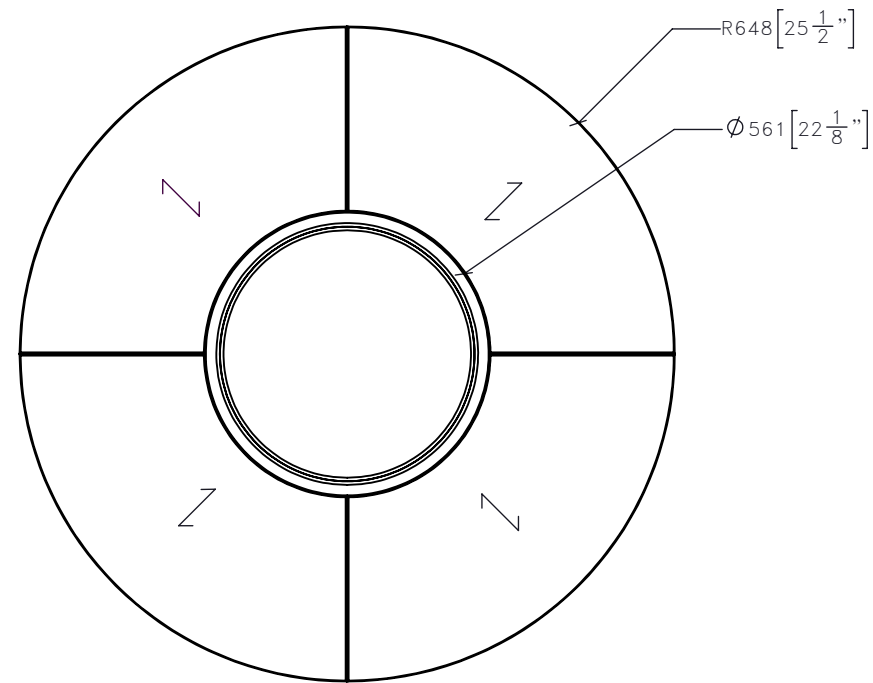


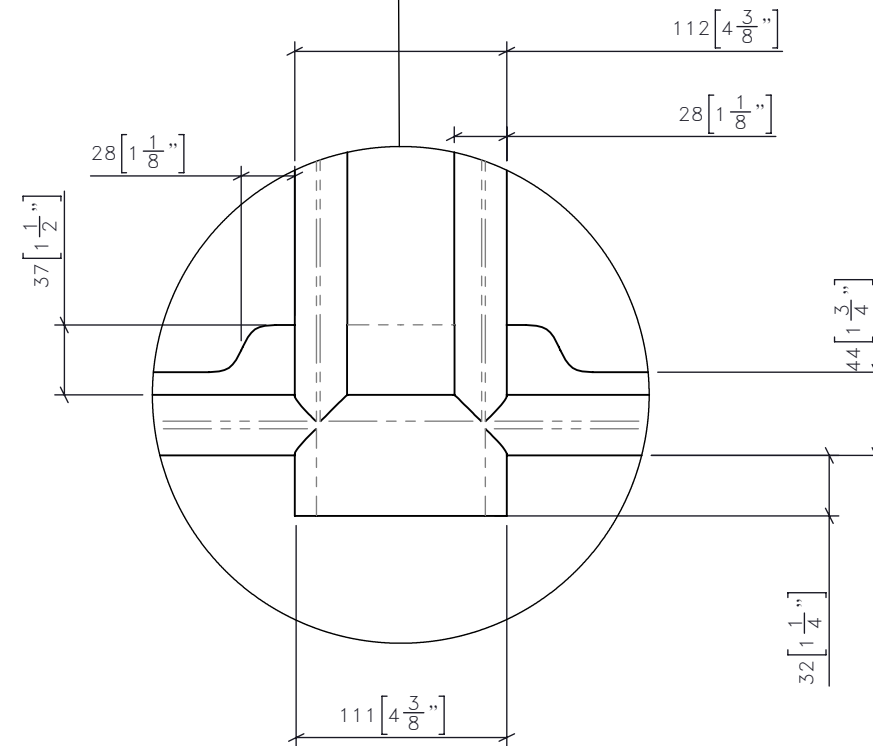
1 CG-304 DINING TABLE FRONT ELEVATION
1:15



3 CG-304 DINING TABLE SIDE ELEVATION
1:15



2 CG-304 DINING TABLE PLAN
1:15



REV	ISSUED FOR	DATE

STUDIO MUNGE
25 WINGOLD AVENUE
TORONTO, ONTARIO
M6B 1P8 CANADA
416.588.1668
STUDIOMUNGE.COM

-SCALE AS NOTED
-DATE 2/25/20

-DRAWN BY LS
-CHECKED BY

-PROJECT NAME
DIAOYUTAI

-DRAWING TITLE
CG-304
DINING TABLE

-PROJECT NUMBER
19118

-DRAWING NUMBER
1 / 3

STUDIO MUNGE

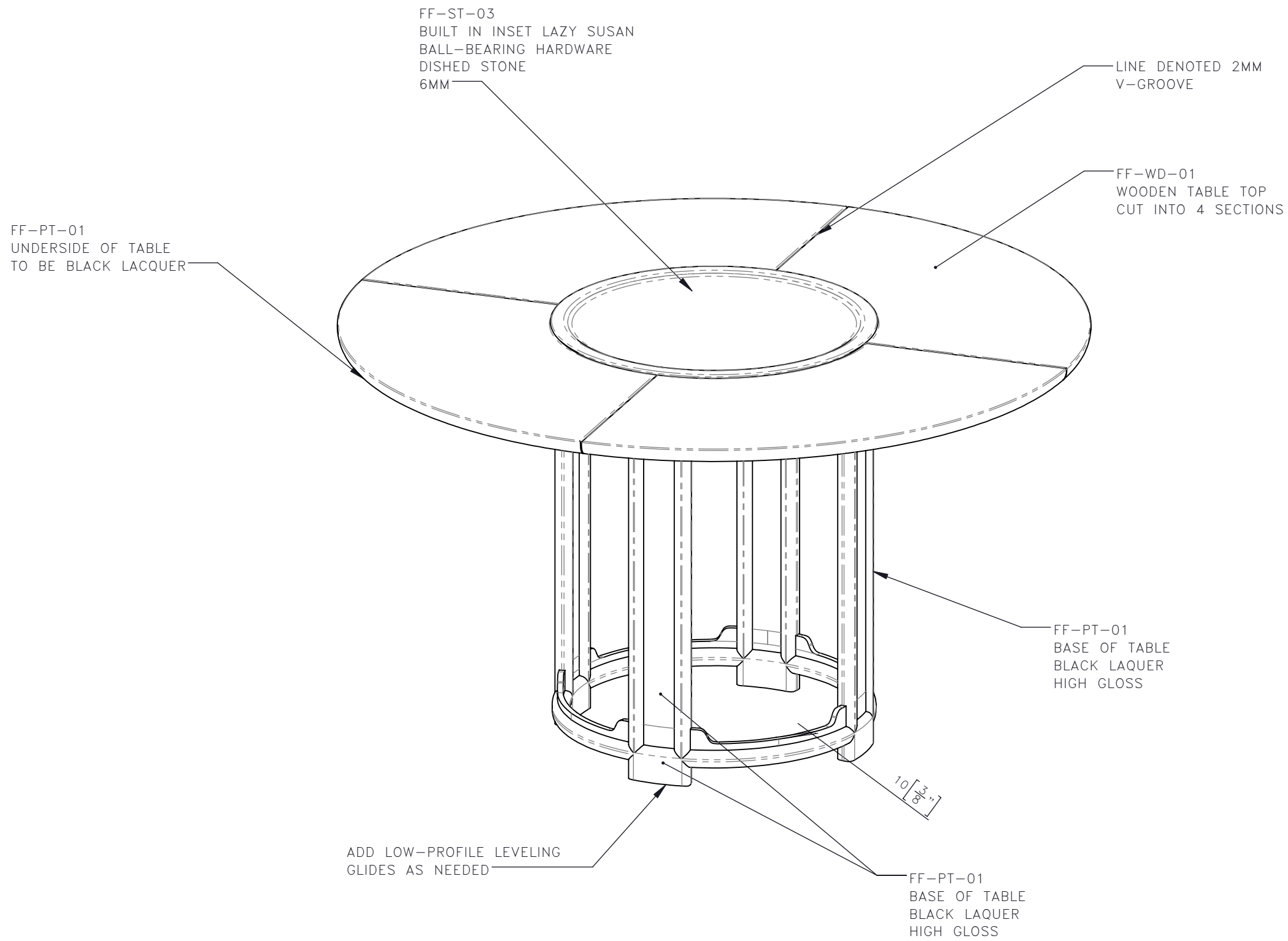
FOR DESIGN INTENT ONLY

DRAWING ARE NOT TO BE SCALED. CONTRACTOR MUST CHECK AND VERIFY ALL JOB DIMENSIONS, DRAWINGS, DETAILS AND SPECIFICATIONS; AND REPORT ANY DISCREPANCIES TO DESIGNER BEFORE PROCEEDING WITH WORK.

-REV/	-ISSUED FOR	-DATE

STUDIO MUNGE
 25 WINGOLD AVENUE
 TORONTO, ONTARIO
 M6B 1P8 CANADA
 416.588.1668
 STUDIOMUNGE.COM

-SCALE AS NOTED	-DATE 2/25/20
-DRAWN BY LS	-CHECKED BY
-PROJECT NAME DIAOYUTAI	
-DRAWING TITLE CG-304 DINING TABLE	
-PROJECT NUMBER 19118	
-DRAWING NUMBER 2 / 3	



4 | CG-304 | DINING TABLE
 1:8 | ISOMETRIC FRONT

STUDIO MUNGE
E
F
D
C
B
A
Y

FOR DESIGN INTENT ONLY

DRAWING ARE NOT TO BE SCALED. CONTRACTOR MUST CHECK AND VERIFY ALL JOB DIMENSIONS, DRAWINGS, DETAILS AND SPECIFICATIONS; AND REPORT ANY DISCREPANCIES TO DESIGNER BEFORE PROCEEDING WITH WORK.



4	CG-304	DINING TABLE Drawing View13
	1:8	

-REV/	-ISSUED FOR	-DATE

**STUDIO
MUNGE**
25 WINGOLD AVENUE
TORONTO, ONTARIO
M6B 1P8 CANADA
416.588.1668
STUDIOMUNGE.COM

-SCALE AS NOTED	-DATE 2/25/20
-DRAWN BY LS	-CHECKED BY
-PROJECT NAME DIAOYUTAI	
-DRAWING TITLE CG-304 DINING TABLE	
-PROJECT NUMBER 19118	
-DRAWING NUMBER 3 / 3	