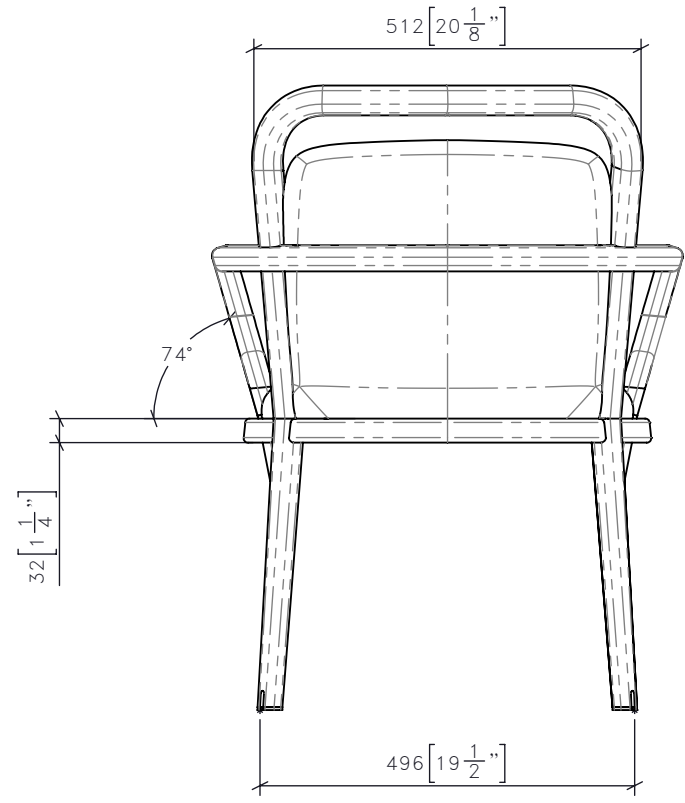
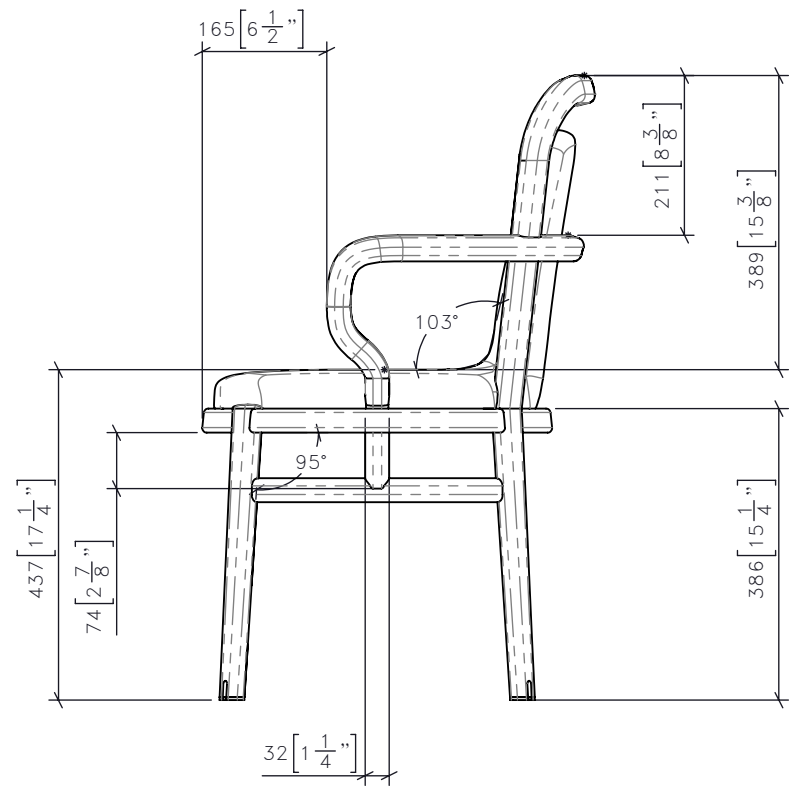


FOR DESIGN INTENT ONLY

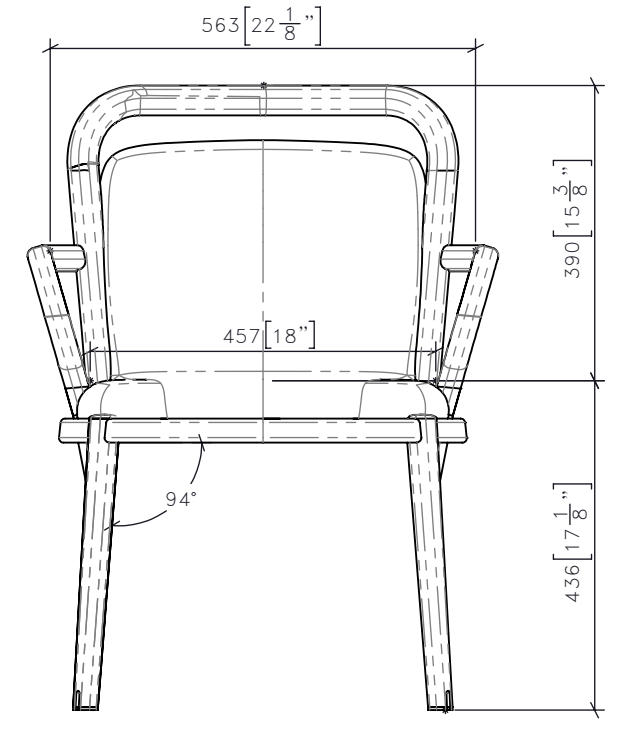
DRAWING ARE NOT TO BE SCALED. CONTRACTOR MUST CHECK AND VERIFY ALL JOB DIMENSIONS, DRAWINGS, DETAILS AND SPECIFICATIONS; AND REPORT ANY DISCREPANCIES TO DESIGNER BEFORE PROCEEDING WITH WORK.



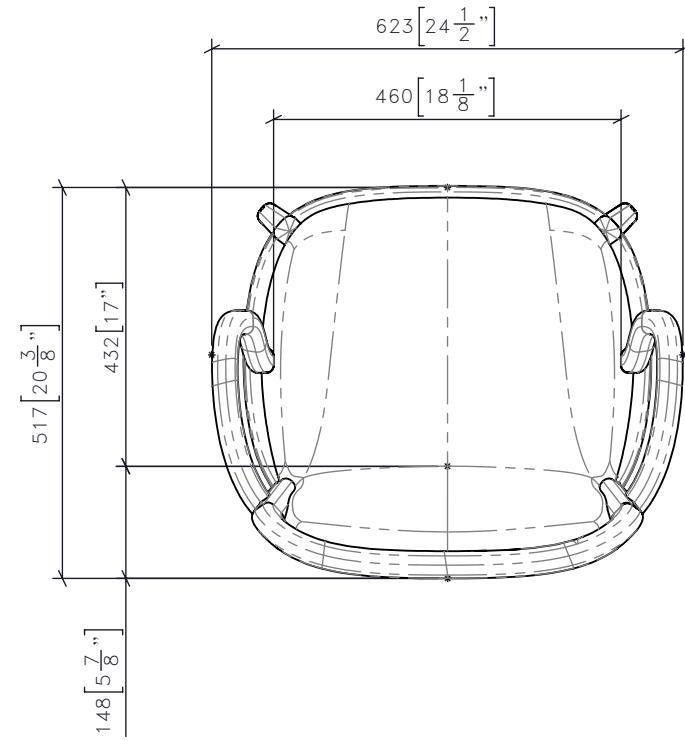
1 SG-307 DESK CHAIR BACK ELEVATION
1:10



3 SG-307 DESK CHAIR SIDE ELEVATION
1:10



4 SG-307 DESK CHAIR FRONT ELEVATION
1:10



2 SG-307 DESK CHAIR PLAN
1:10

-REV/	-ISSUED FOR	-DATE

STUDIO MUNGE
25 WINGOLD AVENUE
TORONTO, ONTARIO
M6B 1P8 CANADA
416.588.1668
STUDIOMUNGE.COM

-SCALE AS NOTED
-DATE 2/25/20

-DRAWN BY LS
-CHECKED BY

-PROJECT NAME

DIAO YU TAI

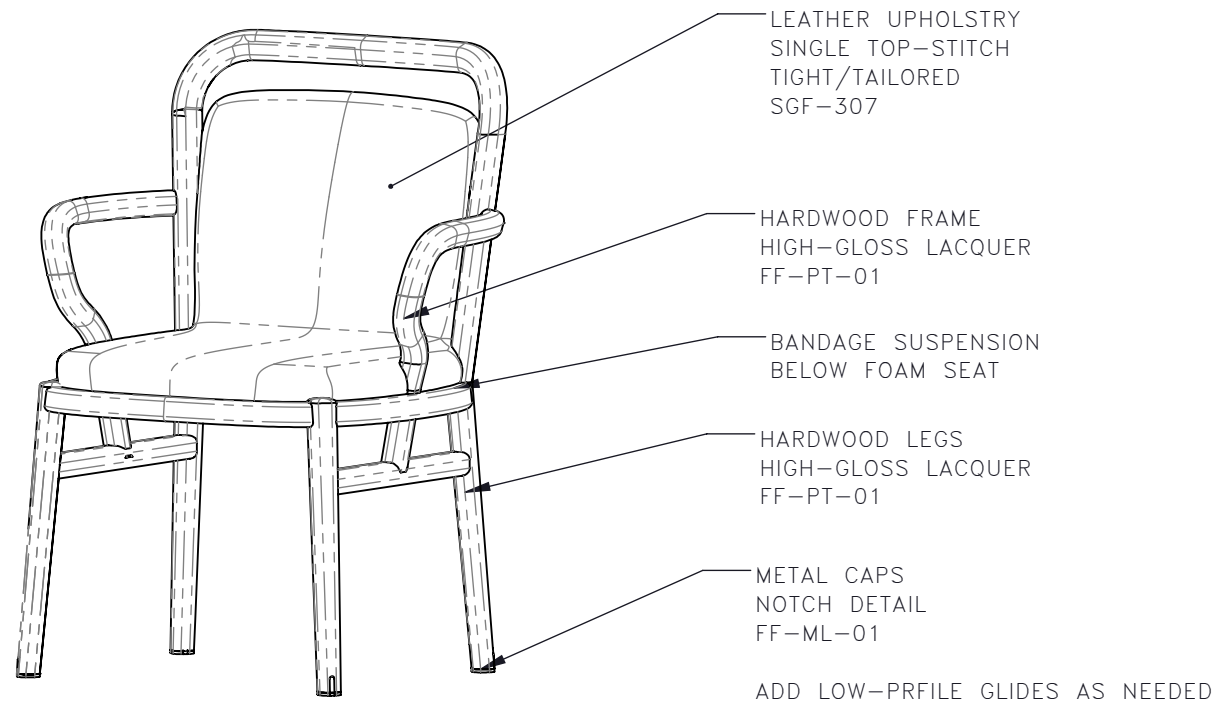
-DRAWING TITLE

SG-307
DESK CHAIR

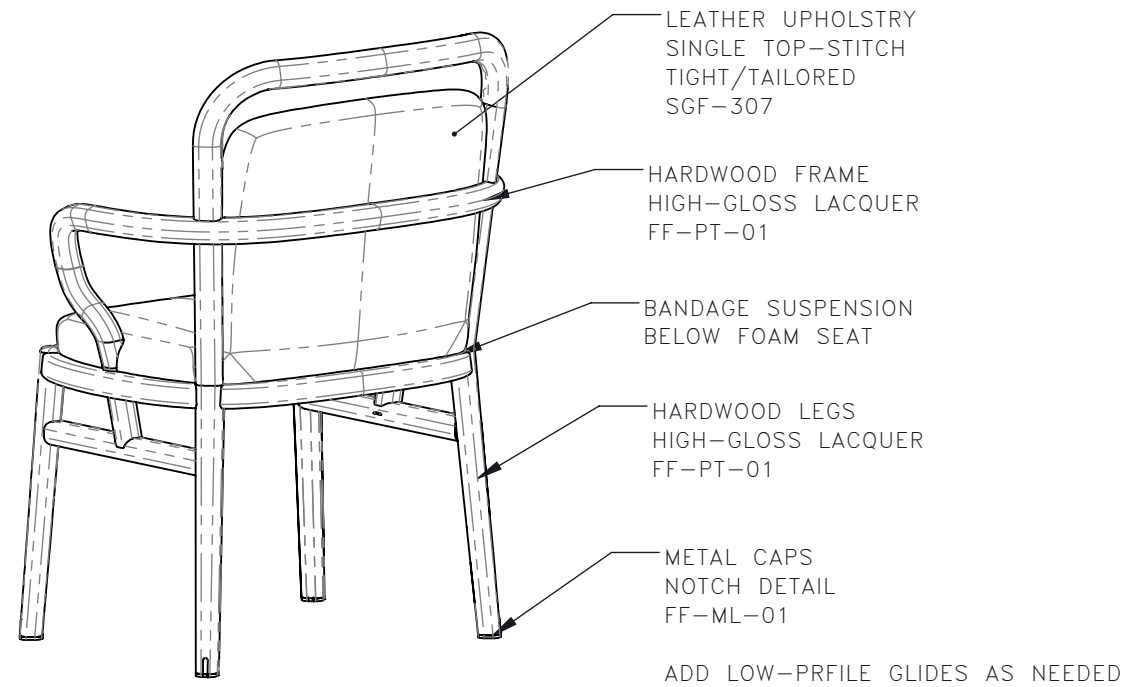
-PROJECT NUMBER
19118

-DRAWING NUMBER
1 / 4

-REV/	-ISSUED FOR	-DATE



5 | SG-307 | DESK CHAIR ISOMETRIC DETAIL
1:10



6 | SG-307 | DESK CHAIR ISOMETRIC DETAIL
1:10

STUDIO MUNGE
25 WINGOLD AVENUE
TORONTO, ONTARIO
M6B 1P8 CANADA
416.588.1668
STUDIOMUNGE.COM

-SCALE AS NOTED	-DATE 2/25/20
-DRAWN BY LS	-CHECKED BY
-PROJECT NAME DIAO YU TAI	
-DRAWING TITLE SG-307 DESK CHAIR	
-PROJECT NUMBER 19118	
-DRAWING NUMBER 2 / 4	

STUDIO MUNGE
Y
E
M
D
C
B
A
Y

FOR DESIGN INTENT ONLY

DRAWING ARE NOT TO BE SCALED. CONTRACTOR MUST CHECK AND VERIFY ALL JOB DIMENSIONS, DRAWINGS, DETAILS AND SPECIFICATIONS; AND REPORT ANY DISCREPANCIES TO DESIGNER BEFORE PROCEEDING WITH WORK.

-REV/	-ISSUED FOR	-DATE



**STUDIO
MUNGE**
25 WINGOLD AVENUE
TORONTO, ONTARIO
M6B 1P8 CANADA
416.588.1668
STUDIOMUNGE.COM

7	SG-307	DESK CHAIR
	1:10	RENDERED VEIW

-SCALE AS NOTED	-DATE 2/25/20
-DRAWN BY LS	-CHECKED BY
-PROJECT NAME DIAO YU TAI	
-DRAWING TITLE SG-307 DESK CHAIR	
-PROJECT NUMBER 19118	
-DRAWING NUMBER 3 / 4	

STUDIO MUNGE
E
D
C
B
A
Y

FOR DESIGN INTENT ONLY

DRAWING ARE NOT TO BE SCALED. CONTRACTOR MUST CHECK AND VERIFY ALL JOB DIMENSIONS, DRAWINGS, DETAILS AND SPECIFICATIONS; AND REPORT ANY DISCREPANCIES TO DESIGNER BEFORE PROCEEDING WITH WORK.

-REV/	-ISSUED FOR	-DATE



8	SG-307	DESK CHAIR RENDERED VEIW
	1:10	

**STUDIO
MUNGE**
25 WINGOLD AVENUE
TORONTO, ONTARIO
M6B 1P8 CANADA
416.588.1668
STUDIOMUNGE.COM

-SCALE AS NOTED	-DATE 2/25/20
---------------------------	-------------------------

-DRAWN BY LS	-CHECKED BY
------------------------	--------------------

-PROJECT NAME

DIAO YU TAI

-DRAWING TITLE

SG-307
DESK CHAIR

-PROJECT NUMBER
19118

-DRAWING NUMBER
4 / 4