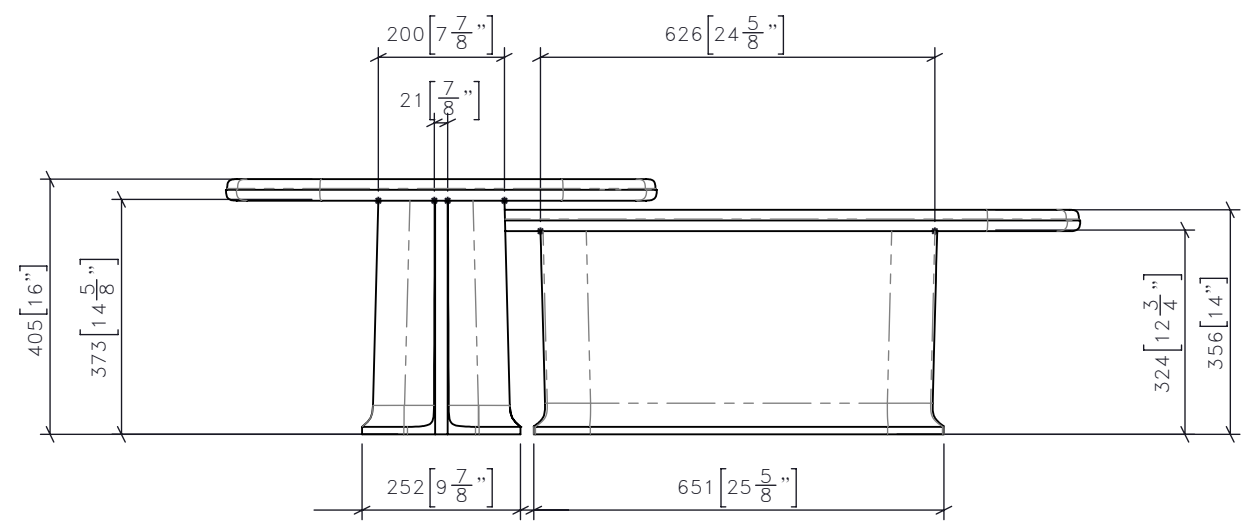
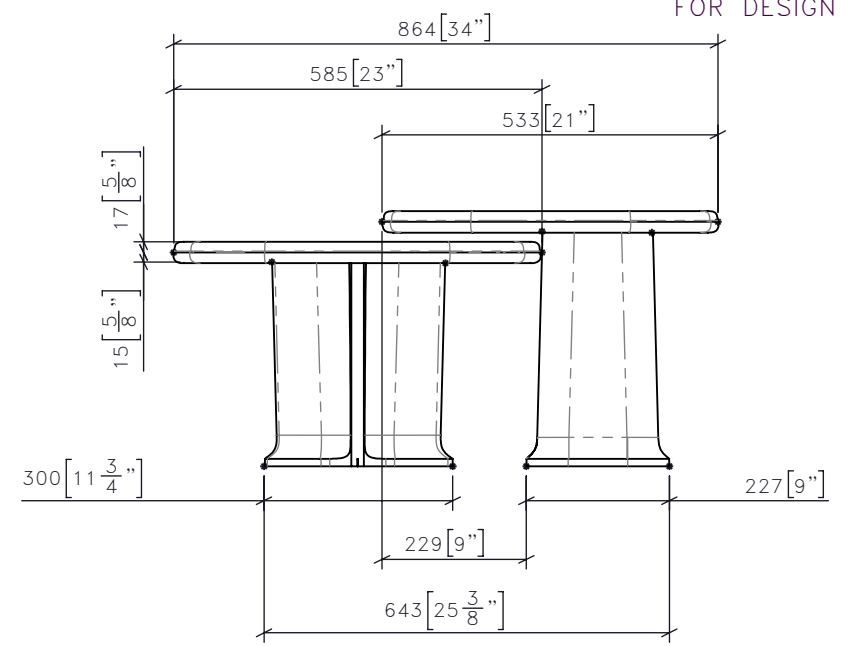


FOR DESIGN INTENT ONLY

DRAWING ARE NOT TO BE SCALED. CONTRACTOR MUST CHECK AND VERIFY ALL JOB DIMENSIONS, DRAWINGS, DETAILS AND SPECIFICATIONS, AND REPORT ANY DISCREPANCIES TO DESIGNER BEFORE PROCEEDING WITH WORK.

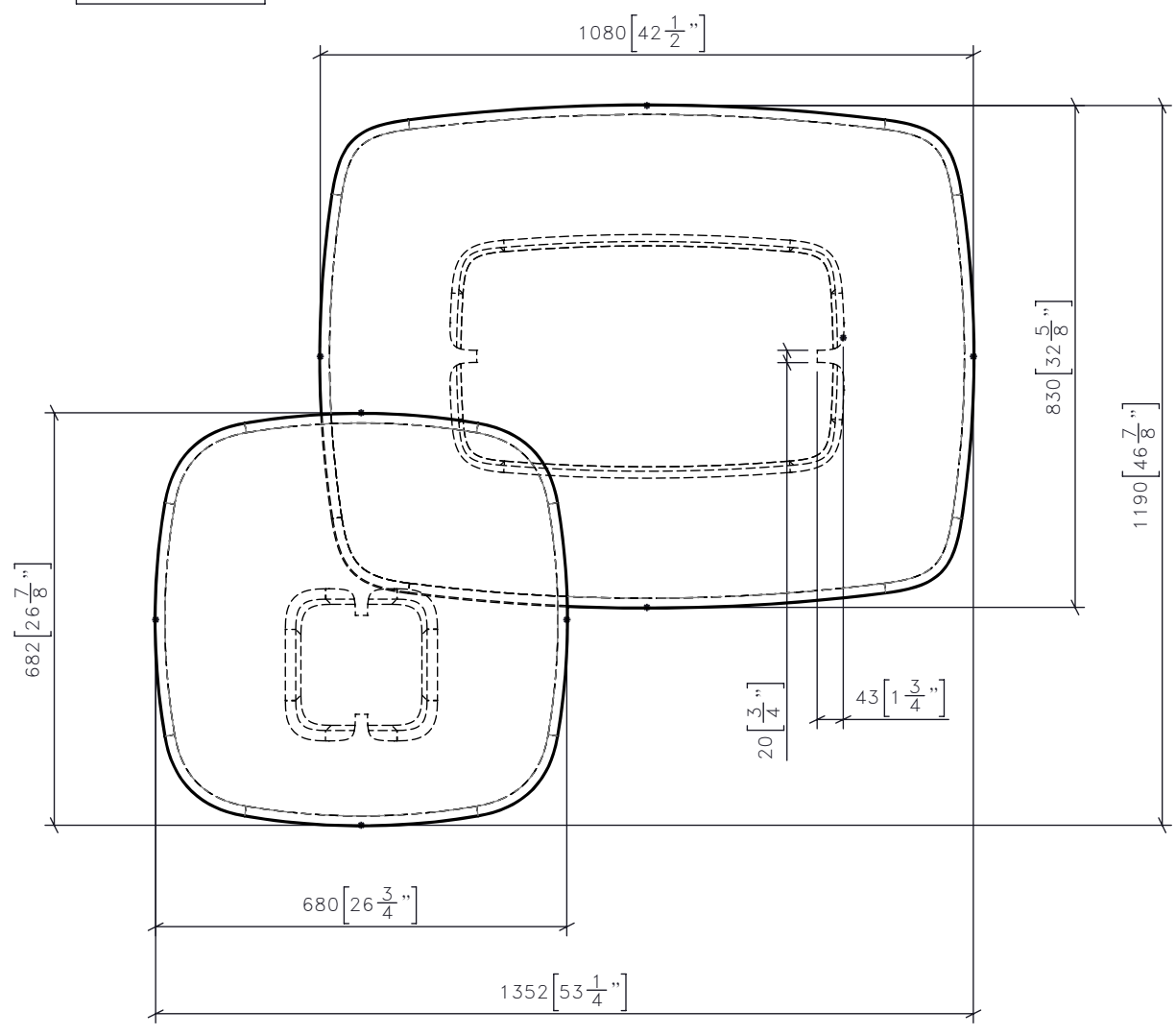


1 CG-307 COFFEE TABLE
1:12 FRONT ELEVATION



3 CG-307 COFFEE TABLE
1:12 SIDE ELEVATION

-REV/	-ISSUED FOR	-DATE



2 CG-307 COFFEE TABLE
1:12 PLAN

STUDIO MUNGE
25 WINGOLD AVENUE
TORONTO, ONTARIO
M6B 1P8 CANADA
416.588.1668
STUDIOMUNGE.COM

-SCALE AS NOTED
-DATE 2/25/20

-DRAWN BY LS
-CHECKED BY

-PROJECT NAME

DIAOYUTAI QINGDAO

-DRAWING TITLE

CG-307
COFFEE TABLE

-PROJECT NUMBER
19118

-DRAWING NUMBER
1 / 3

STUDIO MUNGE

FOR DESIGN INTENT ONLY

DRAWING ARE NOT TO BE SCALED. CONTRACTOR MUST CHECK AND VERIFY ALL JOB DIMENSIONS, DRAWINGS, DETAILS AND SPECIFICATIONS; AND REPORT ANY DISCREPANCIES TO DESIGNER BEFORE PROCEEDING WITH WORK.

NOTE: NESTING COFFEE TABLES
PART A & B

-REV/	-ISSUED FOR	-DATE

FF-ST-03
STONE TOP

FF-ST-07
STONE TOP

B

A

FF-ML-02
OIL RUBBED
BRONZE
UNDERSIDE

**STUDIO
MUNGE** 25 WINGOLD AVENUE
TORONTO, ONTARIO
M6B 1P8 CANADA
416.588.1668
STUDIOMUNGE.COM

FF-ML-02
OIL RUBBED BRONZE
UNDERSIDE

INDENT DETAIL

FF-ML-02
WEIGHTED
BASE

ADD GLIDES AS NEEDED

INDENT DETAIL

FF-ML-02
WEIGHTED
BASE

-SCALE AS NOTED -DATE 2/25/20

-DRAWN BY LS -CHECKED BY

-PROJECT NAME
DIAOYUTAI QINGDAO

-DRAWING TITLE
CG-307
COFFEE TABLE

-PROJECT NUMBER
19118

-DRAWING NUMBER
2 / 3

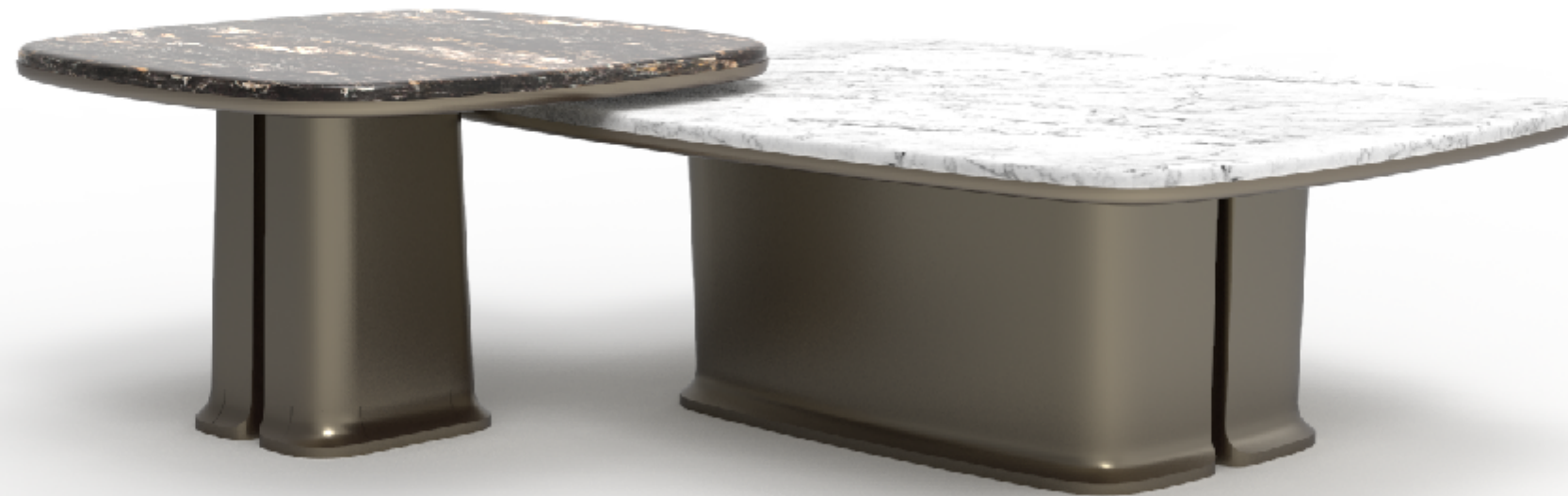
4	CG-307	COFFEE TABLE
	1:6	ISOMETRIC FRONT

STUDIO MUNGE
E
F
D
C
B
A
Y

FOR DESIGN INTENT ONLY

DRAWING ARE NOT TO BE SCALED. CONTRACTOR MUST CHECK AND VERIFY ALL JOB DIMENSIONS, DRAWINGS, DETAILS AND SPECIFICATIONS; AND REPORT ANY DISCREPANCIES TO DESIGNER BEFORE PROCEEDING WITH WORK.

-REV/	-ISSUED FOR	-DATE



**STUDIO
MUNGE**
25 WINGOLD AVENUE
TORONTO, ONTARIO
M6B 1P8 CANADA
416.588.1668
STUDIOMUNGE.COM

-SCALE
AS NOTED

-DATE
2/25/20

-DRAWN BY
LS

-CHECKED BY

-PROJECT NAME

DIAOYUTAI QINGDAO

-DRAWING TITLE

CG-307
COFFEE TABLE

-PROJECT NUMBER
19118

-DRAWING NUMBER
3 / 3

5 | CG-307 | COFFEE TABLE
1:6 | RENDERED VIEW